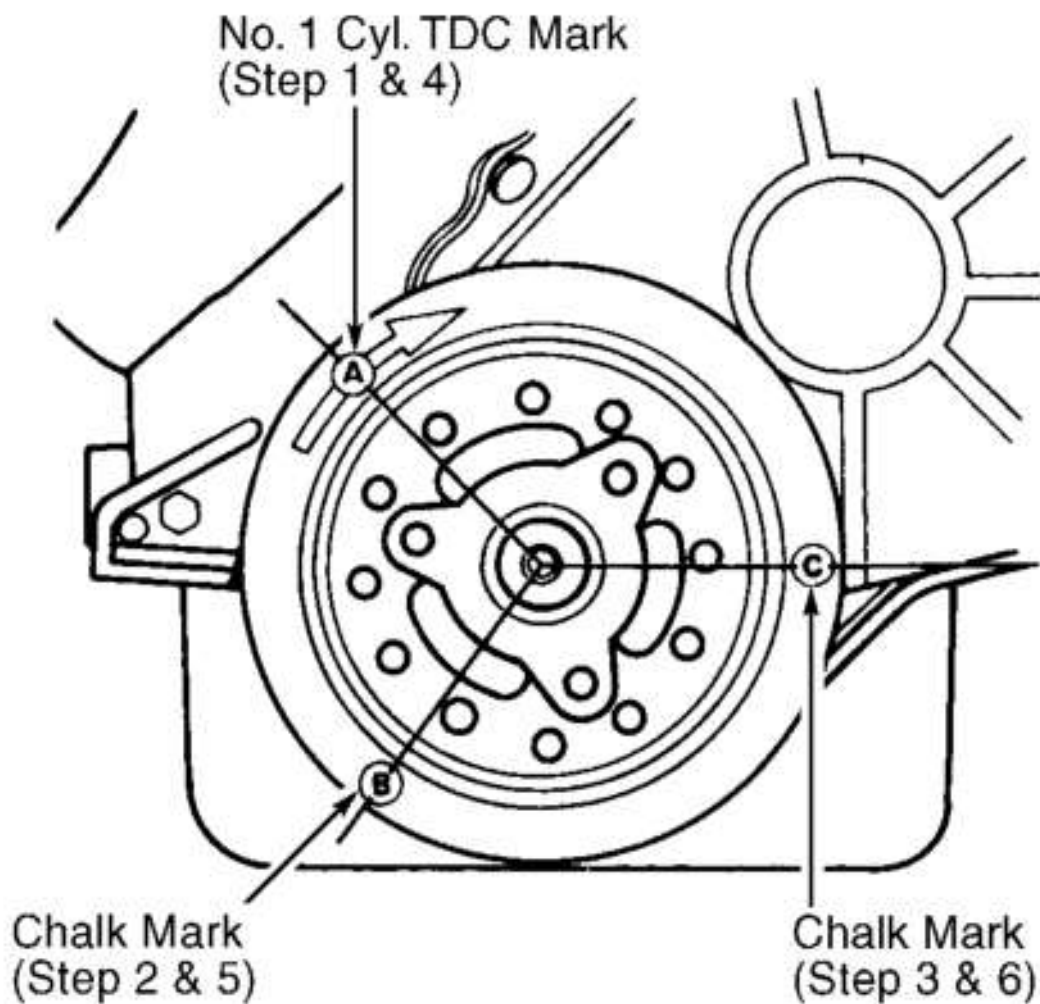


ADJUSTMENTS

VALVE CLEARANCE ADJUSTMENT

Hydraulic valve lifters automatically adjust stem-to-rocker arm clearance. Repeated valve and/or valve seat refacing will change stem-to-rocker arm clearance. To compensate for excessive changes in stem-to-rocker arm clearance, a longer or shorter push rod must be installed. Push rods are available in .060" (1.52 mm) longer or shorter than original.

1. Install an auxiliary starter switch so engine can be cranked with ignition off. Make 2 chalk marks on crankshaft damper. Space marks 120 degrees apart. Including the timing mark, damper should be divided into 3 equal parts. See **Fig. 1**. Remove valve cover.
2. Rotate crankshaft until No. 1 piston is at TDC of compression stroke. Ensure intake and exhaust rocker arm bolts of No. 1 cylinder are tightened to specification. See **TORQUE SPECIFICATIONS**. Slowly collapse lifter plunger using Lifter Bleed Down Wrench (T70P-6513-A) until completely bottomed.
3. While maintaining pressure on lifter, use feeler gauge to check clearance between rocker arm and valve stem tip. On all valves, desired clearance is .125-.175" (3.18-4.45 mm), and allowable range is .100-.200" (2.54-5.08 mm).
4. If clearance is less than specification, install shorter push rod. If clearance is greater than specification, install longer push rod. Rotate crankshaft 120 degrees (in direction of normal rotation) to check next set of valves in firing order sequence. Firing order is 1-5-3-6-2-4. Repeat procedure for remaining valves.



- Step 1: Check Valves On Cyl. No. 1
- Step 2: Check Valves On Cyl. No. 5
- Step 3: Check Valves On Cyl. No. 3
- Step 4: Check Valves On Cyl. No. 6
- Step 5: Check Valves On Cyl. No. 2
- Step 6: Check Valves On Cyl. No. 4

93G75867

Fig. 1: Positioning Crankshaft For Valve Adjustment
 Courtesy of FORD MOTOR CO.

CAUTION: When battery is disconnected, vehicle computer and memory systems may lose memory data. Driveability problems may exist until computer systems have completed a relearn cycle. See **COMPUTER RELEARN PROCEDURES** article in **GENERAL INFORMATION** before

disconnecting battery.