

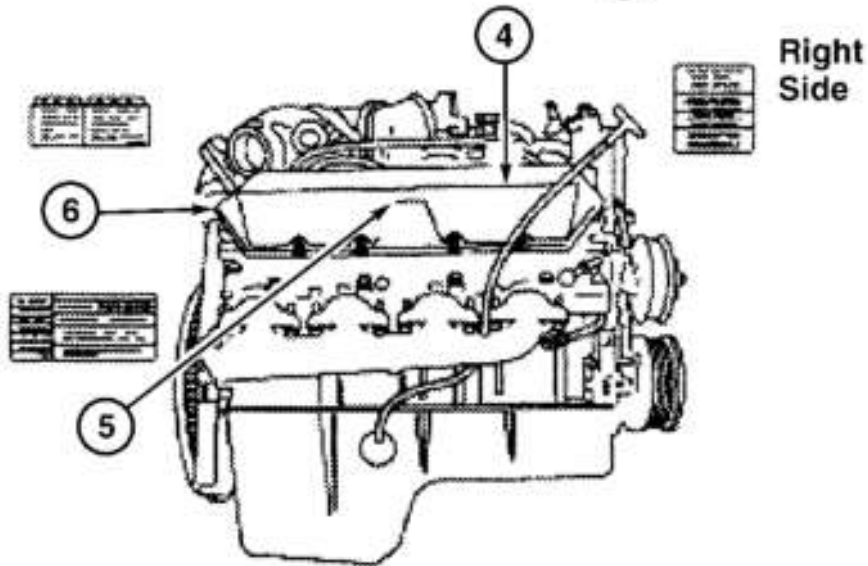
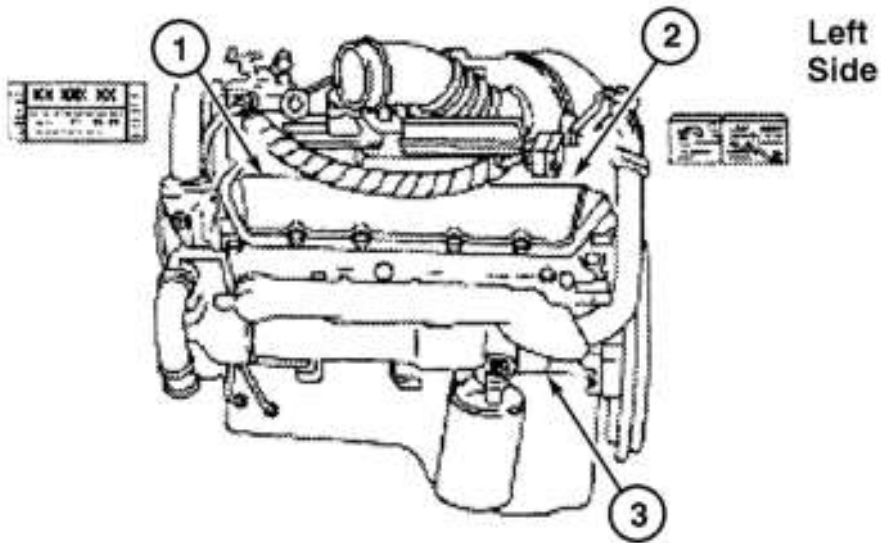
ENGINE IDENTIFICATION

The Power Stroke 7.3L diesel engine may be identified by eighth character of Vehicle Identification Number (VIN). VIN is stamped on a metal tab located near lower left corner of windshield. VIN is also located on Vehicle Safety Compliance Certification Label on driver-side door, or on driver-side door pillar post.

Engine serial number is stamped on driver-side of cylinder block, just behind the oil filter. See **Fig. 1**. Engine calibration code is stamped on engine calibration code label. Engine calibration code label is located on driver-side door pillar post. Engine serial number and engine calibration code may be required when ordering replacement components.

ENGINE IDENTIFICATION CODE

Application	Code
7.3L Turbo Diesel	F



- 1 Engine Code Label
- 2 Electrical System Caution
- 3 Stamped Serial Number (On Crankcase)
- 4 Oil Change Label
- 5 Emission Label
- 6 Electrical System Caution

G00209321

Fig. 1: Identifying Engine Serial Number Location
 Courtesy of FORD MOTOR CO.