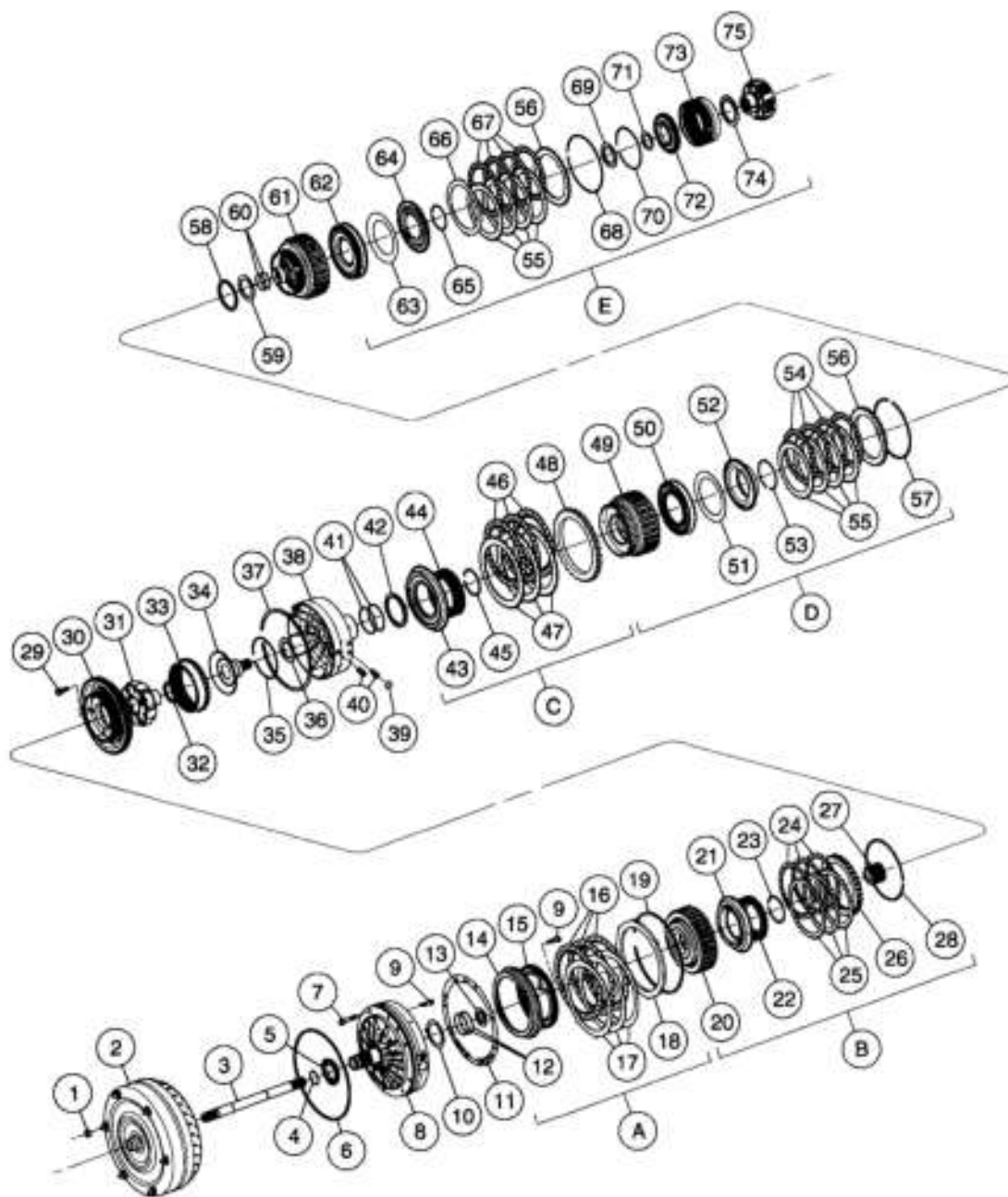
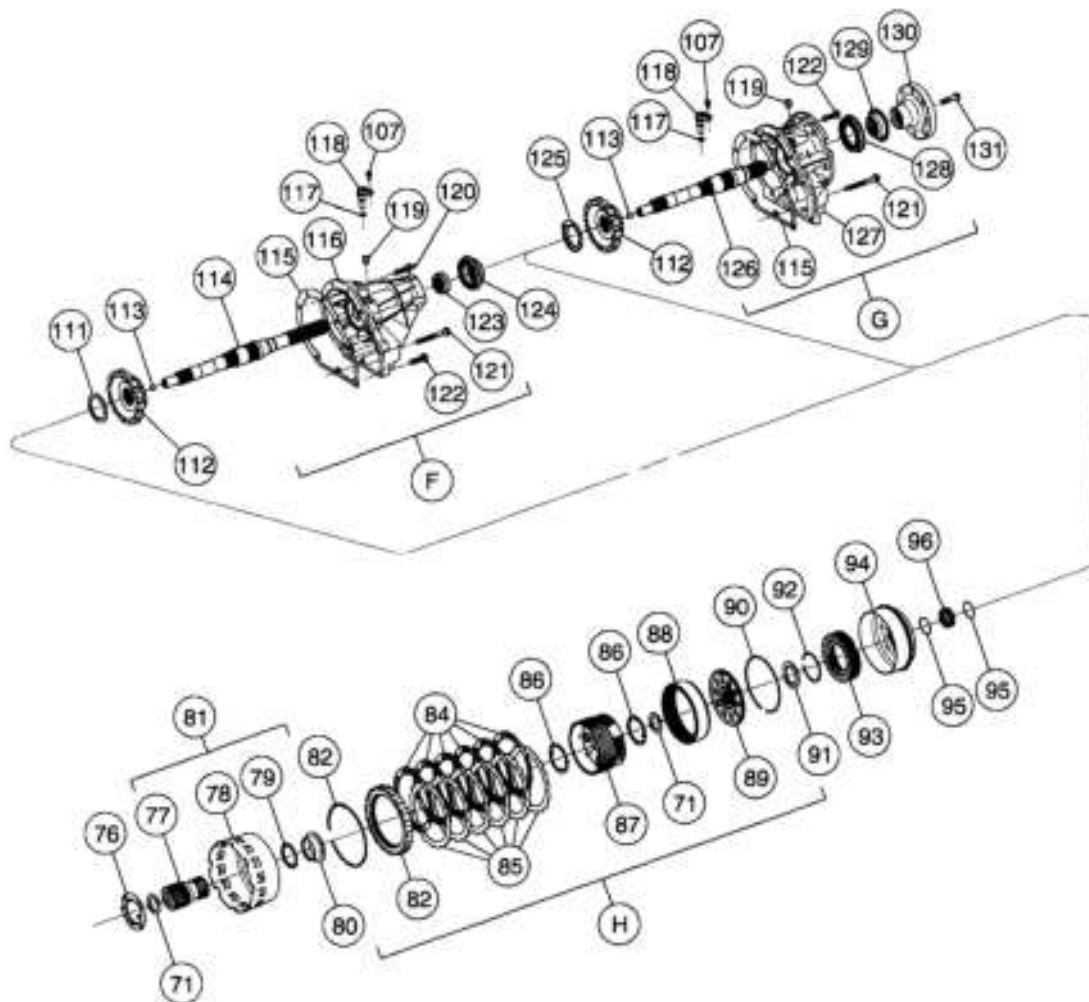


DISASSEMBLED VIEWS



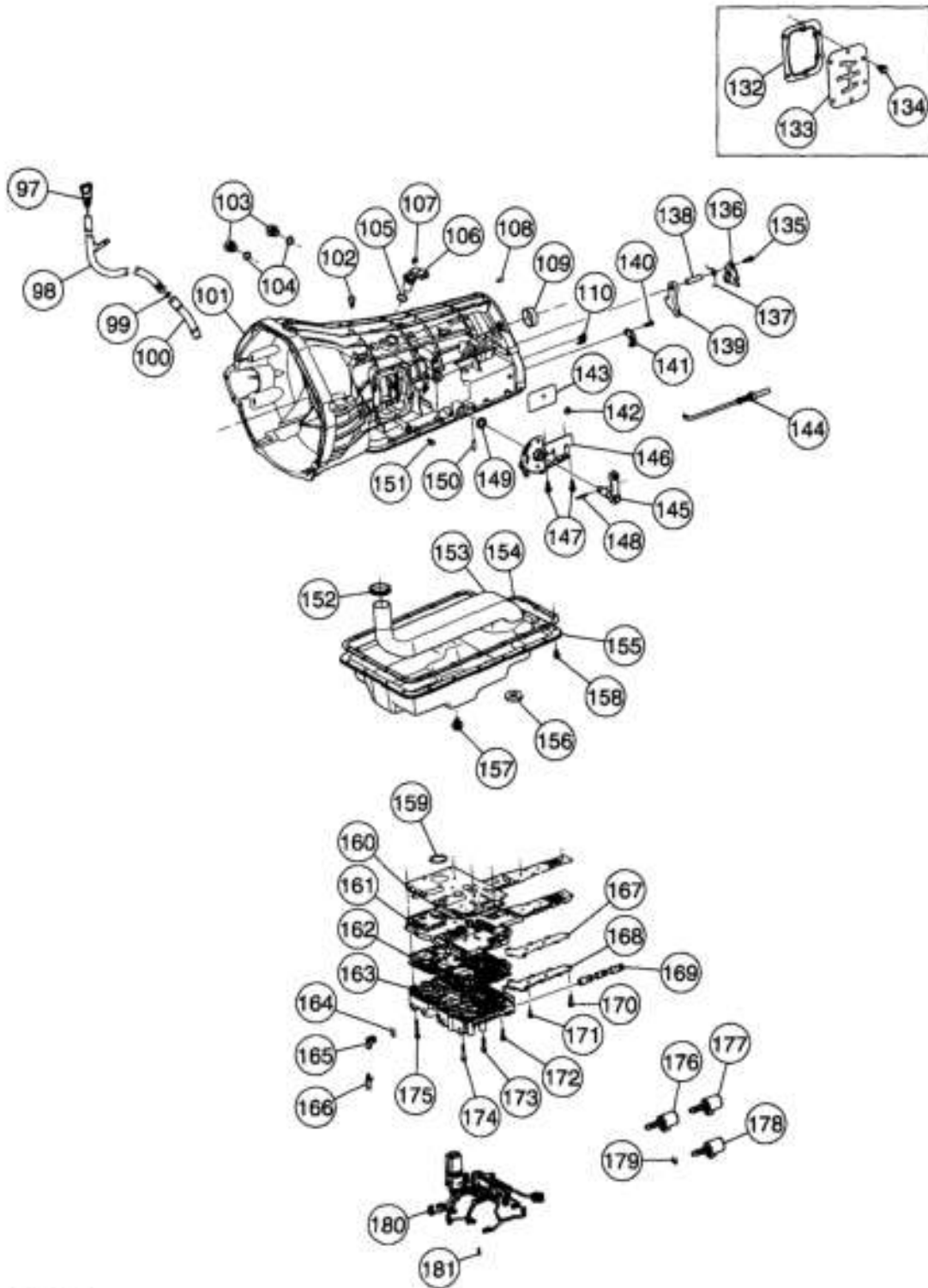
G01567703

Fig. 30: Exploded View Of Transmission (1 Of 3)
Courtesy of FORD MOTOR CO.



001587704

Fig. 31: Exploded View Of Transmission (2 Of 3)
 Courtesy of FORD MOTOR CO.



G01567705

Fig. 32: Exploded View Of Transmission (3 Of 3)
Courtesy of FORD MOTOR CO.

Item	Part Number	Description
1	6441	Flexplate-to-torque converter nut
2	7902	Torque converter assembly (model dependent)
3	7017	Shaft — input
4	7L323	Seal — stator support
5	7A248	Seal — front pump support
6	7A248	Seal — front pump
7	7N134	Bolt — M8 x 70 hex flange head
8	7A103	Pump assembly — front
9	N606042-S2	Bolt — M8 x 1.25 x 45 — front pump
10	7D014	Washer — front pump support No. 1T
11	7A136	Gasket — front pump
12	7G402	Seal — coast clutch (2 req'd)
13	7C096	Race and bearing assembly — sun gear thrust No. 2B and 3B
14	7A262	Piston — overdrive clutch
15	7F222	Spring — overdrive clutch piston return
16	7B164	Plate — overdrive clutch internal spline — friction
17	7B442	Plate — overdrive clutch external spline — steel
18	7B066	Plate — overdrive clutch pressure
19	7D483	Ring — overdrive clutch press plate retaining
20	7G387	Cylinder and bushing assembly — coast clutch
21	7A262	Piston — coast clutch
22	7G299	Spring — coast clutch return
23	7A527	Ring — coast clutch spring retaining
24	7B164	Plate — coast clutch internal spline — friction (model dependent)
25	7B442	Plate — coast clutch external spline — steel (model dependent)
26	7A089	Clutch assembly — coast one-way
27	7D036	Gear — overdrive sun
28	7A577	Ring — 172.5 retainer internal style No. 2

G01567708

Fig. 33: Legend For Exploded Views Of Transmission (1 Of 6)
 Courtesy of FORD MOTOR CO.

Item	Part Number	Description
29	W708120-S300	Bolt — coast clutch hub (4 req'd)
30	7H501	Hub assembly — input coast clutch
31	7B446	Gear assembly — overdrive planetary
32	7F240	Bearing and race assembly — direct clutch No. 4B
33	7A153	Gear — overdrive ring
34	7A658	Shaft — overdrive center
35	7G375	Ring — center support retaining
36	7G178	Bearing and race assembly — sun gear thrust No. 5B
37	7D483	Ring — overdrive ring gear retaining
38	7A130	Support assembly — center
39	7D376	Valve — transmission manual control
40	7N134	Bolt — M12 x 1.75 x 31 hex flange head (2 req'd)
41	7C248	Seals — Teflon®
42	7L326	Washer — center support thrust No. 6T
43	7E005	Piston — intermediate clutch
44	7F222	Support and spring assembly — intermediate clutch
45	7D483	Ring — intermediate clutch spring
46	7B164	Plate — intermediate clutch internal spline (friction)
47	7B442	Plate — intermediate clutch external spline (steel)
48	7B066	Plate — intermediate clutch pressure
49	7F283	Cylinder and hub assembly — direct clutch
50	7A262	Piston assembly — direct clutch
51	7B070	Spring — direct clutch piston return
52	7H359	Piston — direct clutch balance
53	7C122	Ring — direct clutch balance piston retaining
54	7B164	Plate — direct clutch internal spline — friction
55	7B442	Plate — direct clutch external spline — steel

Q81567707

Fig. 34: Legend For Exploded Views Of Transmission (2 Of 6)
Courtesy of FORD MOTOR CO.

Item	Part Number	Description
56	7B066	Plate — direct clutch pressure
57	377127-S	Ring — direct clutch plate retaining (selective fit)
58	7C096	Washer — intermediate brake thrust No. 7T
59	7F374	Bearing assembly — intermediate clutch No. 8B
60	7D019	Seal — forward clutch cylinder (2 req'd)
61	7A360	Cylinder assembly — forward clutch
62	7A262	Piston assembly — forward clutch
63	7B070	Spring — forward clutch piston return
64	7H360	Piston assembly — forward clutch balance
65	7H365	Ring — forward clutch balance piston retaining
66	7B070	Spring — forward clutch cushion
67	7B164	Plate — forward clutch internal spline — friction
68	7D483	Ring — forward clutch plate retaining (selective fit)
69	7D090	Washer — forward clutch hub thrust No. 9T
70	377132-S	Ring — retaining (forward ring gear)
71	7D234	Bearing and race assembly — sun gear thrust No. 10B, 12B, 15B
72	7B067	Hub and bushing assembly — forward ring gear
73	7D392	Gear — forward ring
74	7A166	Bearing and race assembly — forward carrier No. 11B
75	7A398	Planet assembly — forward
76	7L339	Lube dam — forward carrier
77	7D063	Gear assembly — forward/reverse sun
78	7D064	Shell — input
79	7L270	Ring — forward/reverse sun shell retaining
80	7C167	Spacer — sun gear shell
81	7A019	Shell and sun gear assembly
82	7D483	Ring — reverse clutch pressure plate — retaining

001567708

Fig. 35: Legend For Exploded Views Of Transmission (3 Of 6)
Courtesy of FORD MOTOR CO.

Item	Part Number	Description
83	7A089	Clutch assembly — low one way
84	7B164	Plate — reverse clutch internal spline — friction
85	7B442	Plate — reverse clutch external spline — steel
86	7A166	Washer — planet carrier thrust No. 13T/14T
87	7D006	Planet assembly — reverse
88	7A153	Gear — output shaft ring
89	7D164	Hub — output shaft ring gear
90	7G375	Ring — retaining (reverse ring gear)
91	7G178	Bearing and race assembly No. 16B
92	7D483	Ring — reverse clutch spring retaining
93	7D406	Retainer and spring assembly — reverse clutch
94	7D402	Piston — reverse clutch
95	7D019	Seal — Teflon®
96	7R411	Seal assembly — intermediate brake drum
97	7A020	Indicator — fluid level
98	7A228	Tube assembly — fluid fill
99	391308-S	O-ring
100	7A160	Tube — fluid inlet short
101	7005	Case assembly
102	7034	Vent assembly — case
103	7D273	Cooler line — case fitting
104	W708418-S300	O-ring — cooler connector
105	7Z101	O-ring — sensor
106	7M101	Sensor — turbine shaft speed (TSS)
107	N805503-S100	Bolt — M6 x 1 x 15.2
108	7J122	Valve — air bleed check
109	7025	Snubber — output shaft
110	7E380	Plug — case oil filler
111	7B368	Bearing assembly — parking gear needle thrust (slip yoke) No. 17B
112	7A233	Gear — output shaft parking
113	378259-S	Plug cup
114	7060	Shaft — output (slip yoke)
115	7086	Gasket — extension housing

G01567700

Fig. 36: Legend For Exploded Views Of Transmission (4 Of 6)
 Courtesy of FORD MOTOR CO.

Item	Part Number	Description
116	7A039	Extension assembly — slip yoke
117	7Z101	O-ring — output shaft speed sensor
118	7H103	Sensor — output shaft
119	6026	Plug — fill hole
120	N811294-S36	Stud — M6 x 1.1-M10 x 1.563 extension housing
121	N606560-S36	Bolt — M10 x 1.5 x 93.5 extension housing
122	N605803-S36	Bolt — M10 x 1.5 x 40 extension housing
123	7A292	Seal — output shaft spline
124	7052	Seal assembly — extension housing (4x2)
125	7B368	Washer — parking gear thrust fixed yoke No. 17T
126	7060	Shaft — output fixed yoke
127	7A039	Extension assembly — fixed yoke
128	7052	Seal assembly — extension housing (4x4)
129	7085	Retainer assembly — transmission output shaft
130	4K177	Flange — drive shaft (4x4)
131	W708831-S426	Bolt — M12 x 55 drive flange
132	7223	PTO — cover gasket
133	7222	PTO — case cover
134	N605799-S101	Bolt — M10 1.5 x 24 hex flange head
135	N805232-S	Screw and washer — M8 x 1.25 x 23.5 hex (2 req'd)
136	7D419	Plate — parking rod guide
137	7D070	Spring — parking pawl return
138	7D071	Pin — 0.5 x 1.91 dowel ground hardened
139	7A441	Pawl — parking
140	N805261-S191	Screw — M8 x 1.25 x 25 pan head
141	7G101	Abutment — parking pawl
142	372552-S2	Spring nut
143	7B148	Tag — transmission service identification
144	7A232	Rod assembly — parking pawl actuating
145	7A256	Lever assembly — manual control (model dependent)

G01067710

Fig. 37: Legend For Exploded Views Of Transmission (5 Of 6)
 Courtesy of FORD MOTOR CO.

Item	Part Number	Description
146	7H557	Transmission range detent assembly
147	N805503-S	Bolt — M6 x 1.0 x 15.2 hex flange head transmission range
148	7G100	Pin — shaft retaining
149	7B498	Seal — manual lever
150	7H210	Roll pin — manual control lever to case
151	390685-S	Plug — line pressure
152	7Z302	Seal — filter
153	7A098	Filter and seal assembly
154	7A191	Gasket — fluid pan
155	7A194	Fluid pan
156	7L027	Ceramic magnet — fluid pan
157	6730	Plug — fluid pan drain
158	N811266-S36	Bolt — fluid pan
159	7J149	O-ring — bulkhead connector
160	7C155	Gasket — control valve body
161	—	Ditch plate
162	7H200	Gasket — filter plate
163	—	Manifold body
164	7E335	W-clip — pressure switch
165	7E440	Switch — pressure
166	7H141	Sensor — Transmission fluid temperature (TFT)
167	7H038	Gasket — backing plate
168	—	Backing plate
169	7C298	Valve — manual
170	W500100-S300	Bolt — M6 x 1 x 30 hex head (5 req'd)
171	W300512	Bolt — M6 x 15.2 solenoid backing plate-to-ditch plate (5 req'd)
172	W300513	Bolt — M6 x 27.5 solenoid manifold-to-ditch plate (3 req'd)
173	N805326-S	Bolt — M6 x 1.0 x 42.5 hex flange head (3 req'd)
174	W300511	Bolt — M6 x 55 solenoid manifold-to-ditch plate (1 req'd)
175	W708500	Bolt — M6 x 68 hex flange (13 req'd)
176	7G383	Solenoid — line pressure (VFS)
177	7J136	Solenoid — directly proportional (VFS) (4 req'd)
178	7J136	Solenoid — inversely proportional (VFS) (2 req'd)
179	7J137	E-clip — VFS (7 req'd)
180	7G276	Wiring harness
181	—	Bolt — T25 holds wire harness to manifold (2 req'd)

G01587711

Fig. 38: Legend For Exploded Views Of Transmission (6 Of 6)
Courtesy of FORD MOTOR CO.