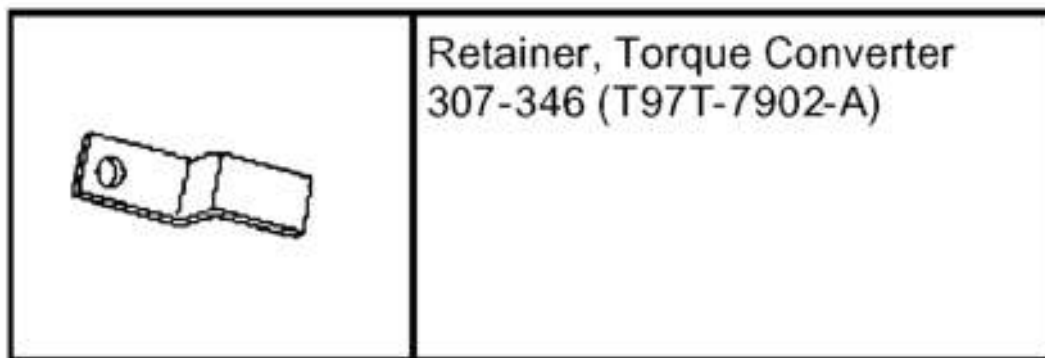


INSTALLATION

TRANSMISSION - 4X2

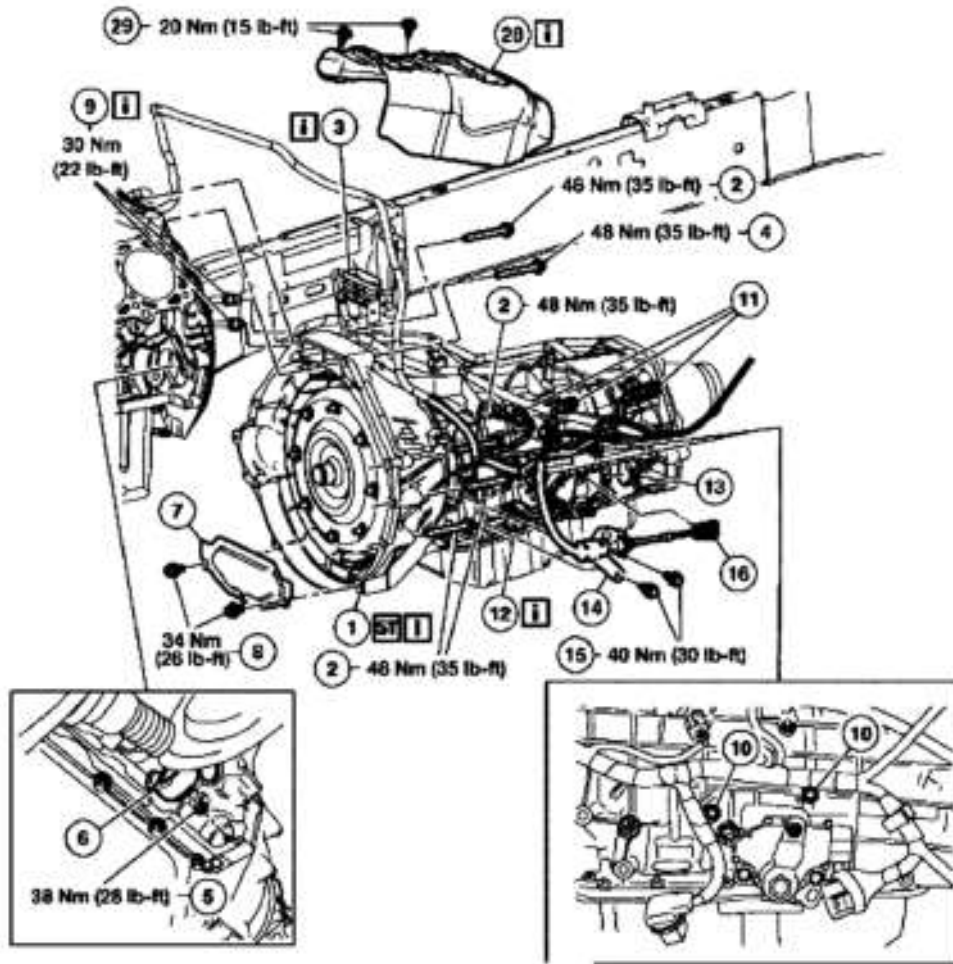


G03182348

Fig. 465: Identifying Special Tool(s)
Courtesy of FORD MOTOR CO.

WARNING: Secure the transmission to the transmission jack with a safety chain. Failure to follow these instructions can result in personal injury.

1. Secure the transmission to the transmission jack with a safety chain.
2. Illustration 1 of 3. Install the components in the order indicated in the following illustration and table.



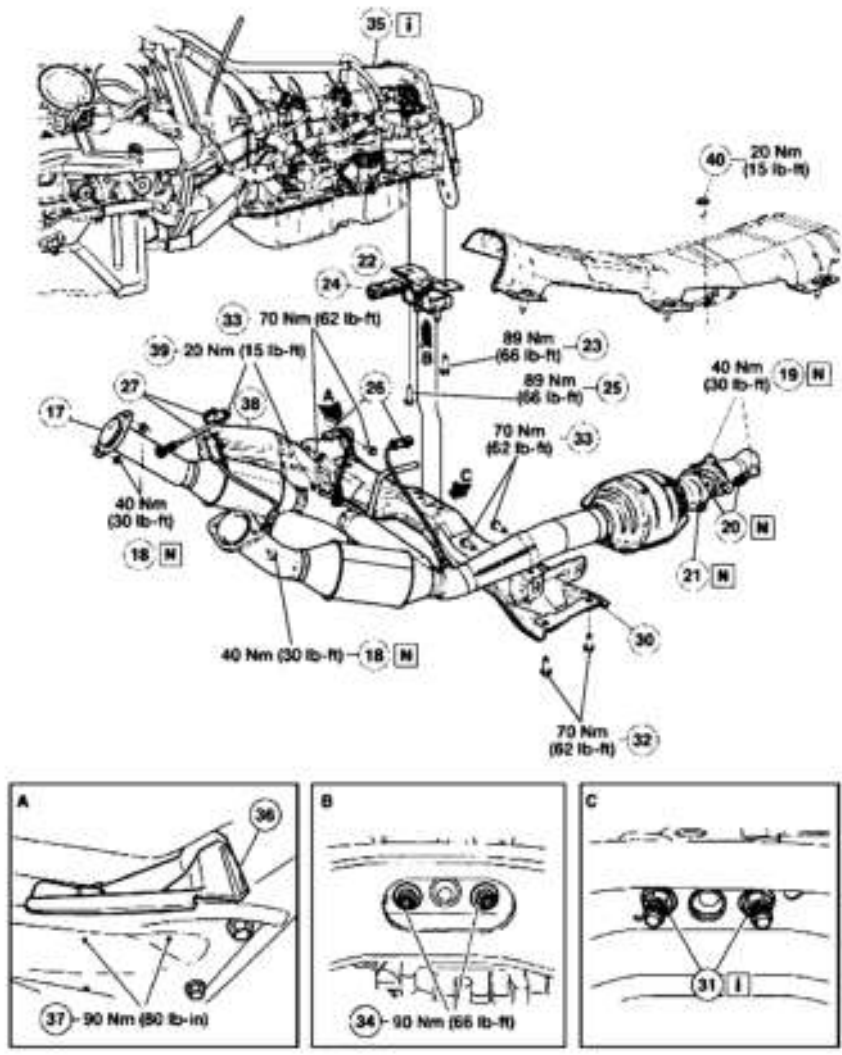
Item	Part Number	Description
1	7005	Transmission assembly Installation Note
2	W500128-S	Ball housing screws
3	9D319	Fuel line bracket Installation Note
4	W500128-S	Ball housing screw
5	W705443-S	Torque converter nuts
6	6C070	Torque converter access plug
7	7986	Inspection cover
8	W500031-S	Inspection cover screws

Item	Part Number	Description
9	7A030	Fluid cooler nuts Installation Note
10	7C078	Wire harness retainer clips
11	14A464	Speed sensor connectors
12	14A464	Solenoid body harness connector Installation Note
13	14A464	Transmission range (TR) sensor connector
14	7B229	Shift cable and bracket
15	N605918-S	Shift cable screws
16	---	Shift cable eyelet (part of 7E395)

00110349

Fig. 466: Identifying Installation Order Of Transmission - 4x2 (1 Of 3)
 Courtesy of FORD MOTOR CO.

3. Illustration 2 of 3. Install the components in the order indicated in the following illustration and table.



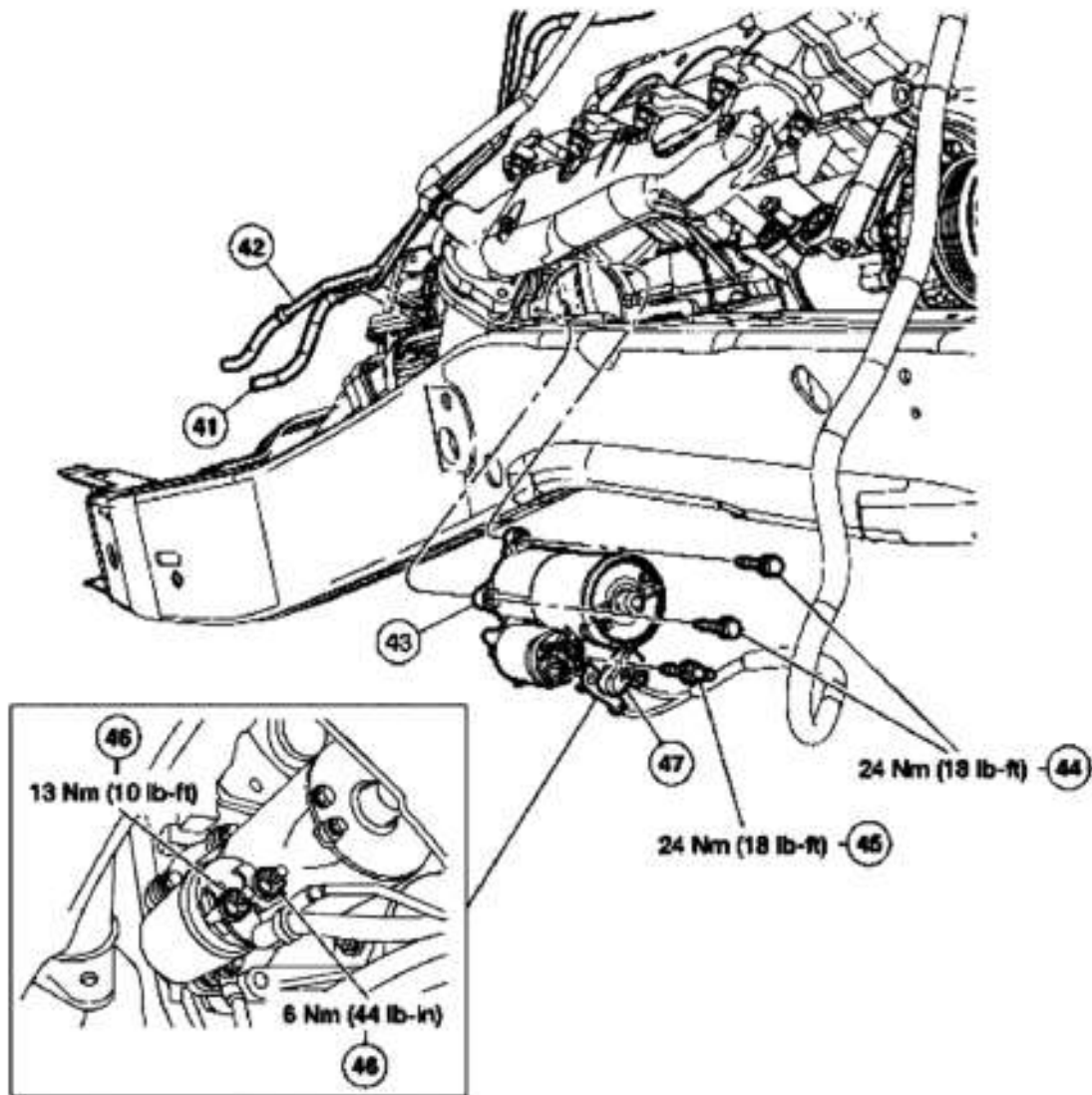
Item	Part Number	Description
17	GF95	Front exhaust crossover pipe
18	W70443-S	Upper exhaust flange nuts
19	W70870-S	Exhaust flange sleeves
20	GF204	Exhaust flange springs
21	N621945-S	Rear flange nuts
22	6D081	Rear transmission mount
23	W708136-S	Rear transmission mount screw
24	GF260	Exhaust hanger
25	W708136-S	Rear transmission mount screw
26	9G444	Catalytic converter sensor electrical connector
27	9F472	Heated oxygen sensor electrical connector
28	9G226	Rear shield (refer to illustration No. 1) installation note

Item	Part Number	Description
29	W707073	Rear shield screws (refer to illustration No. 1)
30	5D60	Rear crossmember
31	N621945-S	Rear transmission support nuts Installation Note
32	--	Lower crossmember screws 14 req'd (part of 5D95)
33	--	Upper crossmember screws (part of 5D95)
34	N621945-S	Rear transmission support nuts
35	7009	Transmission assembly Installation Note
36	9B507	Fuel tank shield
37	N621946	Fuel tank shield nuts
38	5D63P	Fuel shield
39	W707079-S	Rear shield screw
40	W701634-S	Rear shield screw

G03182350

Fig. 467: Identifying Installation Order Of Transmission - 4x2 (2 Of 3)
 Courtesy of FORD MOTOR CO.

4. Illustration 3 of 3. Install the components in the order indicated in the following illustration and table.



Item	Part Number	Description
41	9J280	Fuel line
42	9D676	Evaporator line
43	11001	Starter motor
44	N806771-S	Starter motor screw
45	N808980-S	Starter motor screw
46	14A280	Solenoid electrical connector
47	11N087-A	Terminal cover

G031R2351

Fig. 468: Identifying Installation Order Of Transmission - 4x2 (3 Of 3)

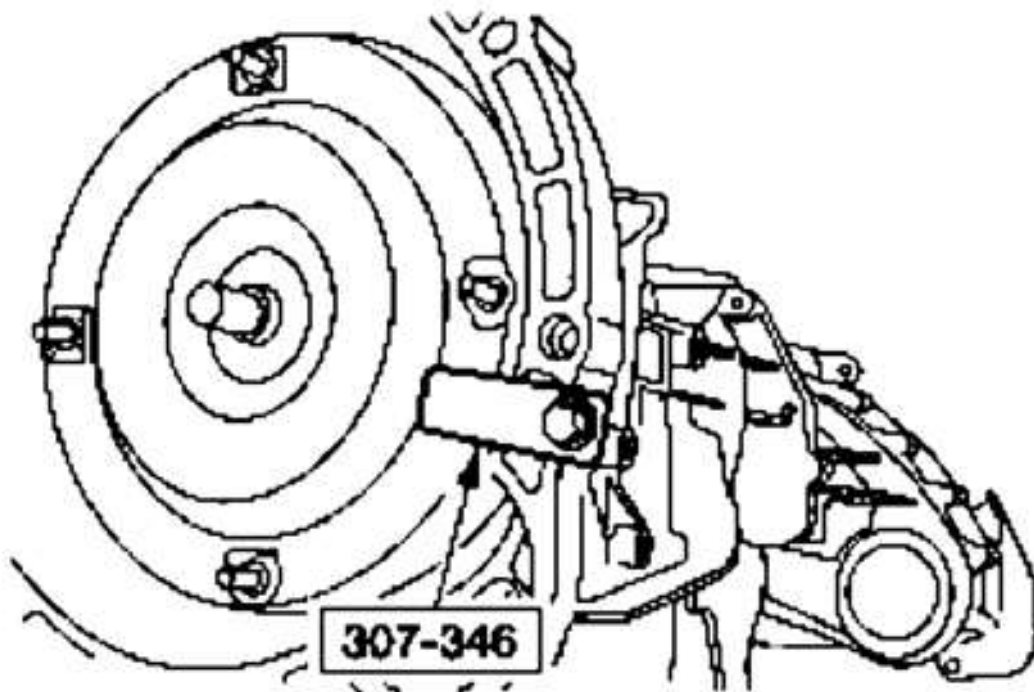
Courtesy of FORD MOTOR CO.

5. Install the driveshaft. For additional information, refer to **DRIVELINE SYSTEM** .
6. Connect the battery ground cable. For additional information, refer to **BATTERY & CHARGING SYSTEM** .

7. Position the fan shroud and install the bolts.
8. Carry out the fluid level check. For additional information, refer to **TRANSMISSION FLUID LEVEL CHECK**.
9. Verify that the shift cable is correctly adjusted. For additional information, refer to **SELECTOR LEVER CABLE ADJUSTMENT**.
10. Check the operation of the transmission and inspect for leaks.

Item 1: Transmission Assembly Installation Note

1. Install the special tool.

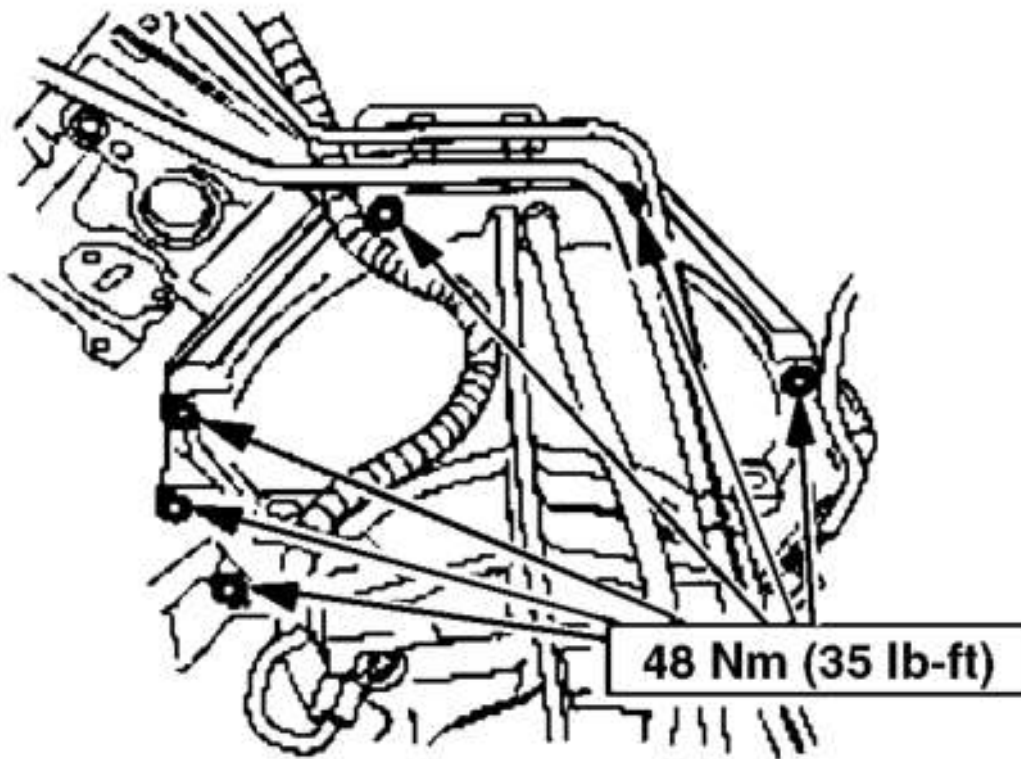


G03182352

Fig. 469: Installing Special Tool
Courtesy of FORD MOTOR CO.

NOTE: **Align the flexplate-to-converter marks made during the removal procedure.**

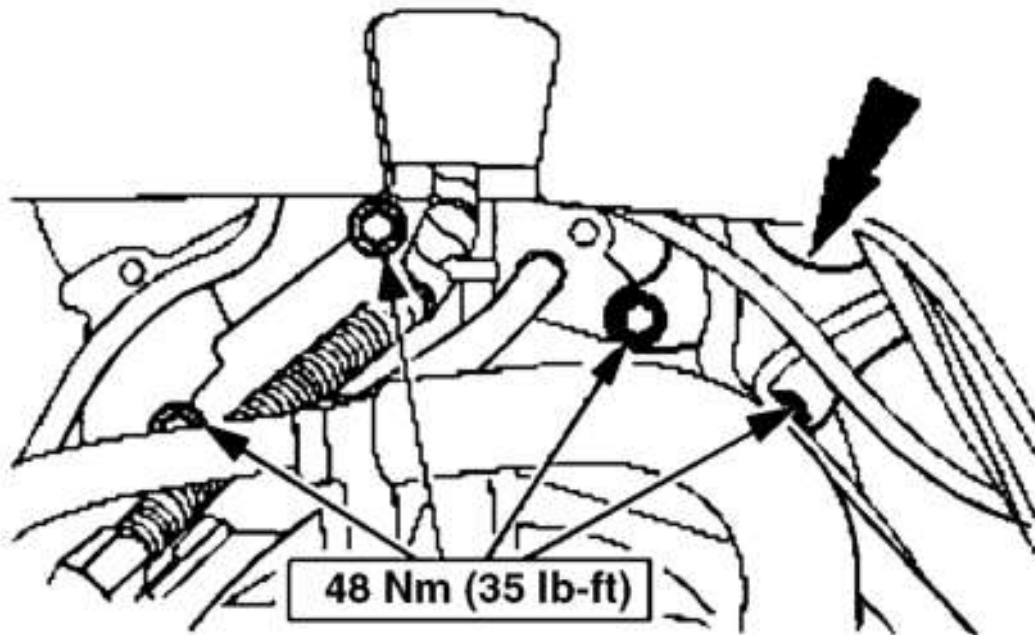
2. Raise and position the transmission to the back of the engine. Remove the special tool prior to attaching the transmission to the engine.
3. On vehicles equipped with a 4.6L engine, install the seven engine-to-transmission retaining bolts.



G03182353

Fig. 470: Installing Engine-To-Transmission Retaining Bolts
Courtesy of FORD MOTOR CO.

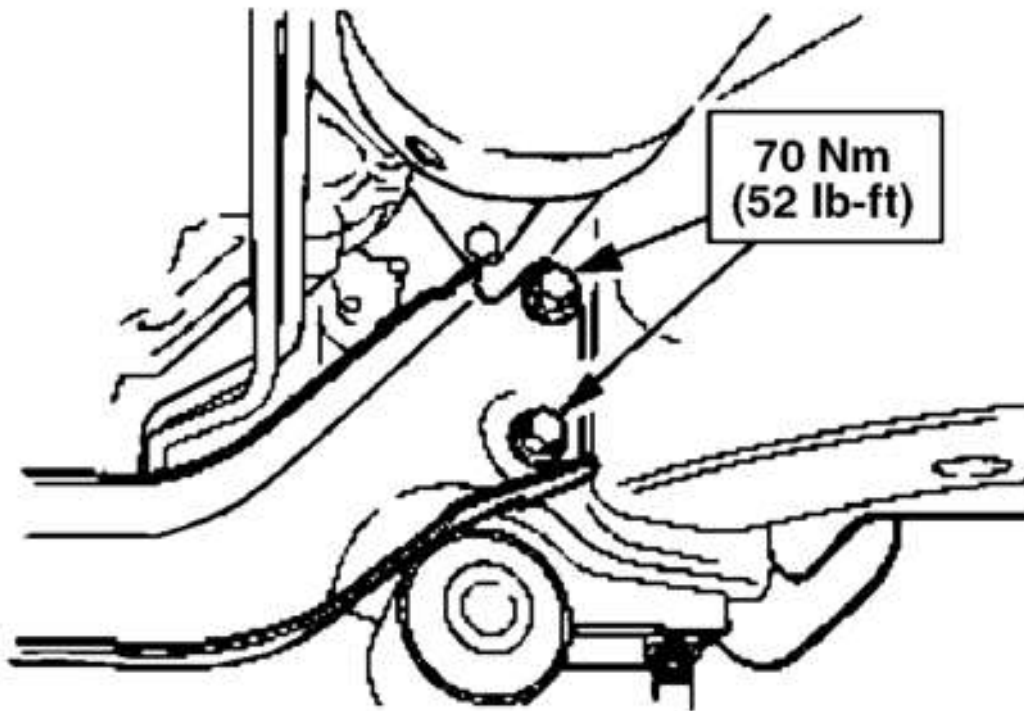
4. On vehicles equipped with a 4.0L engine, position the fuel line bracket in place and install the six retaining bolts.



G03182354

Fig. 471: Installing Retaining Bolts
Courtesy of FORD MOTOR CO.

NOTE: The RH side is shown, LH is similar.



G03182355

Fig. 472: Installing Front Crossmember
Courtesy of FORD MOTOR CO.

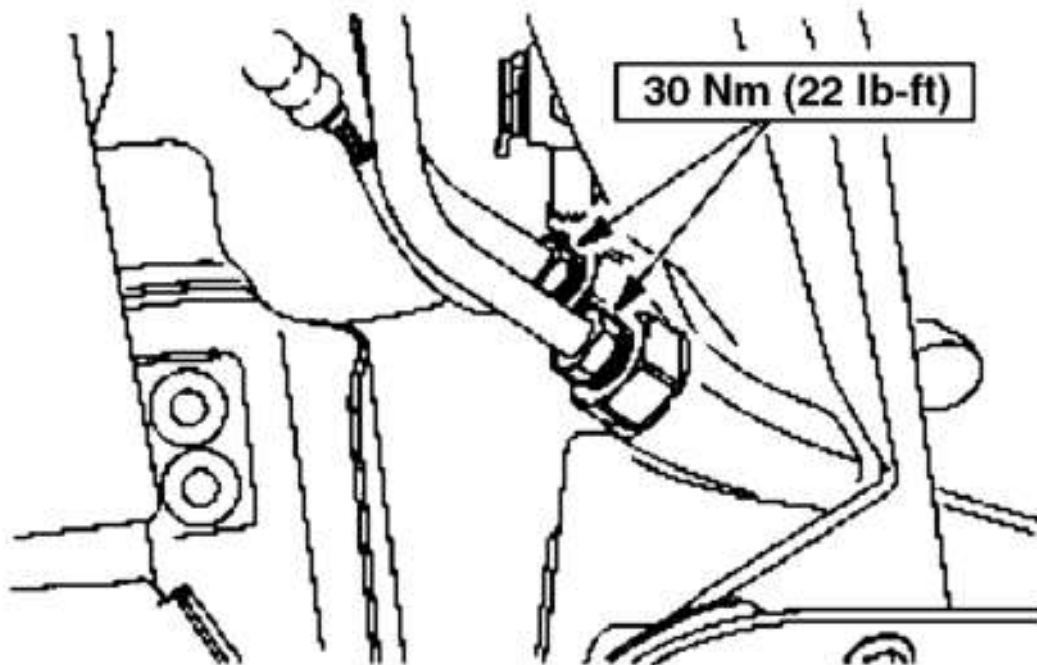
5. Install the front crossmember.

Item 3: Fuel Line Bracket Installation Note

1. Position the fuel line bracket in place prior to installing the remaining transmission retaining screws.

Item 9: Fluid Cooler Nuts Installation Note

CAUTION: Use care not to bend or force the cooler tubes otherwise damage to the cooler tubes and the transmission can result.



G03182356

Fig. 473: Installing Transmission Fluid Cooler Tubes
Courtesy of FORD MOTOR CO.

1. Install the transmission fluid cooler tubes.

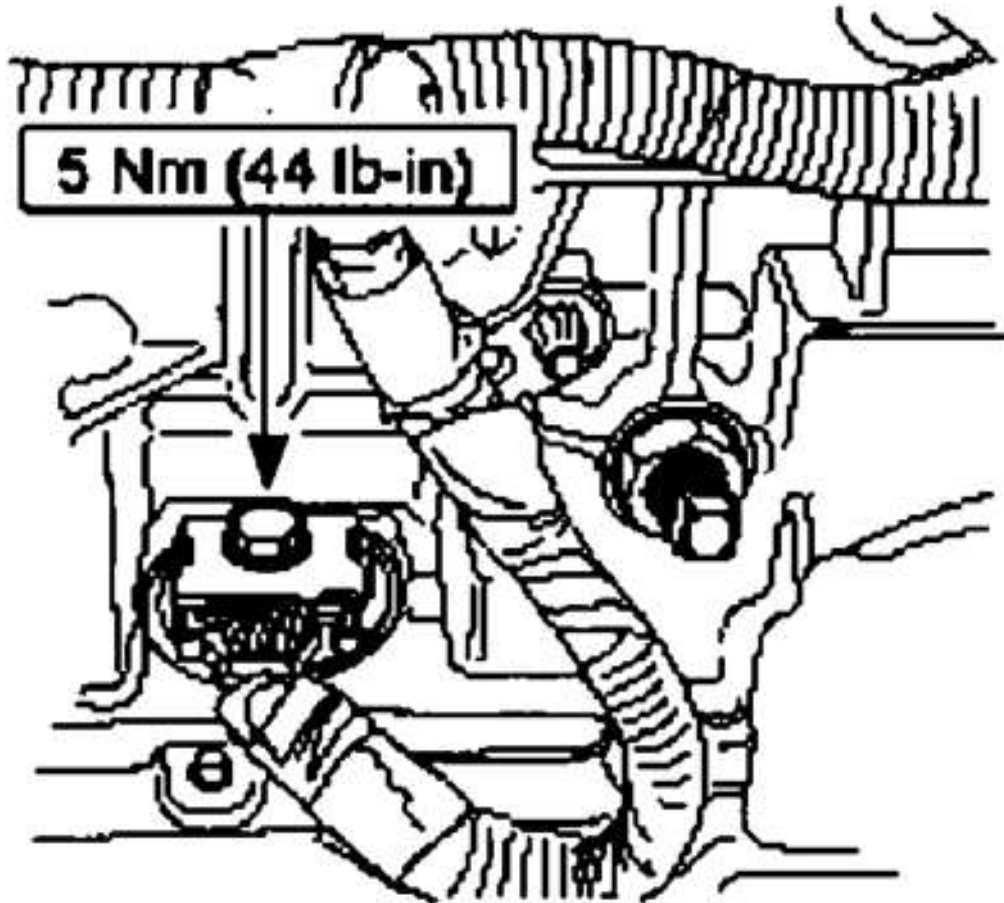
Item 12: Solenoid Body Harness Connector Installation Note

CAUTION: Damage will occur to the solenoid body assembly if the screw is tightened above the specification.

NOTE: Always install new O-ring seals on the vehicle harness connector.

NOTE: Clean the area around the connector to prevent contamination of the solenoid body connector.

NOTE: Use petroleum jelly to lubricate the O-ring seals to aid in the installation process.



G03182357

Fig. 474: Installing O-Ring Seals On Transmission Connector
Courtesy of FORD MOTOR CO.

1. Install and lubricate new O-ring seals on the transmission connector and connect the connector.

Item 28: Heat Shield Installation Note

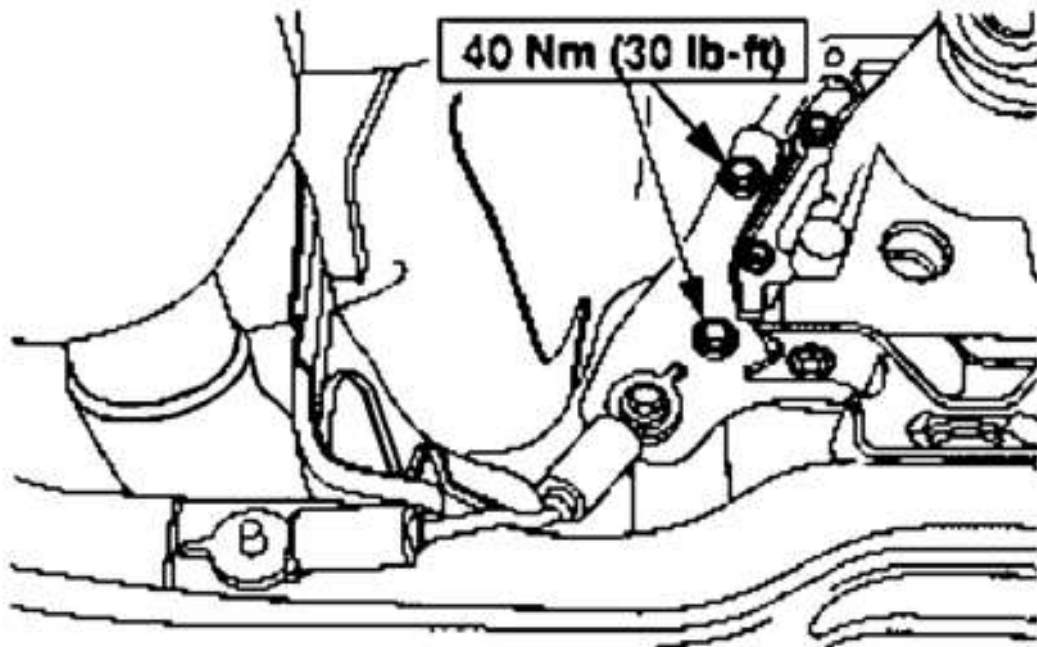
1. Position the heat shield in place and install the screws.

Item 31: Rear Transmission Support Nuts Installation Note

1. Loosely install the rear transmission support nuts.

Item 35: Transmission Assembly Installation Note

1. Remove the transmission jack.
2. If equipped, install the cable bracket and the two bolts.



G03182358

Fig. 475: Installing Cable Bracket
Courtesy of FORD MOTOR CO.

3. Use the following guidelines for the in-line transmission fluid filter:
 - If the transmission was overhauled and the vehicle was equipped with an in-line fluid filter, install a new in-line fluid filter.
 - If the transmission was overhauled and the vehicle was not equipped with an in-line fluid filter, install a new in-line fluid filter kit.
 - If the transmission is being installed for a non-internal repair, do not install an in-line filter or filter kit.
 - If installing a new or a Ford-authorized remanufactured transmission, install the in-line transmission fluid filter that is supplied.

Prior to lowering the vehicle, install a new in-line transmission filter or a filter kit. For additional information refer to **TRANSMISSION FLUID IN-LINE FILTER**.

TRANSMISSION - 4X4



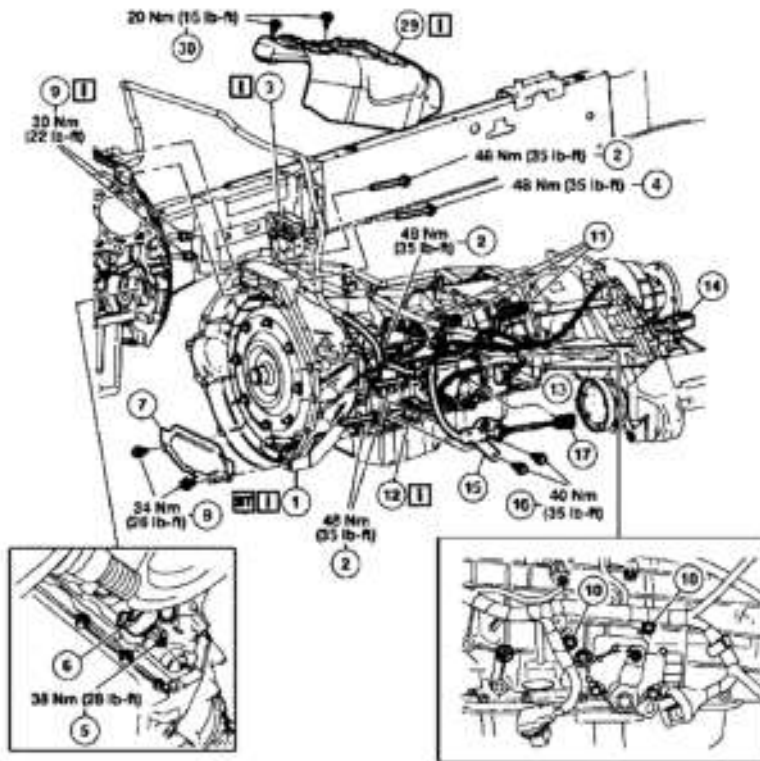
G03182359

Fig. 476: Identifying Special Tool(s)

Courtesy of FORD MOTOR CO.

WARNING: Secure the transmission to the transmission jack with a safety chain. Failure to follow these instructions can result in personal injury.

1. Secure the transmission to the transmission jack with a safety chain.
2. Illustration 1 of 3. Install the components in the order indicated in the following illustration and table.

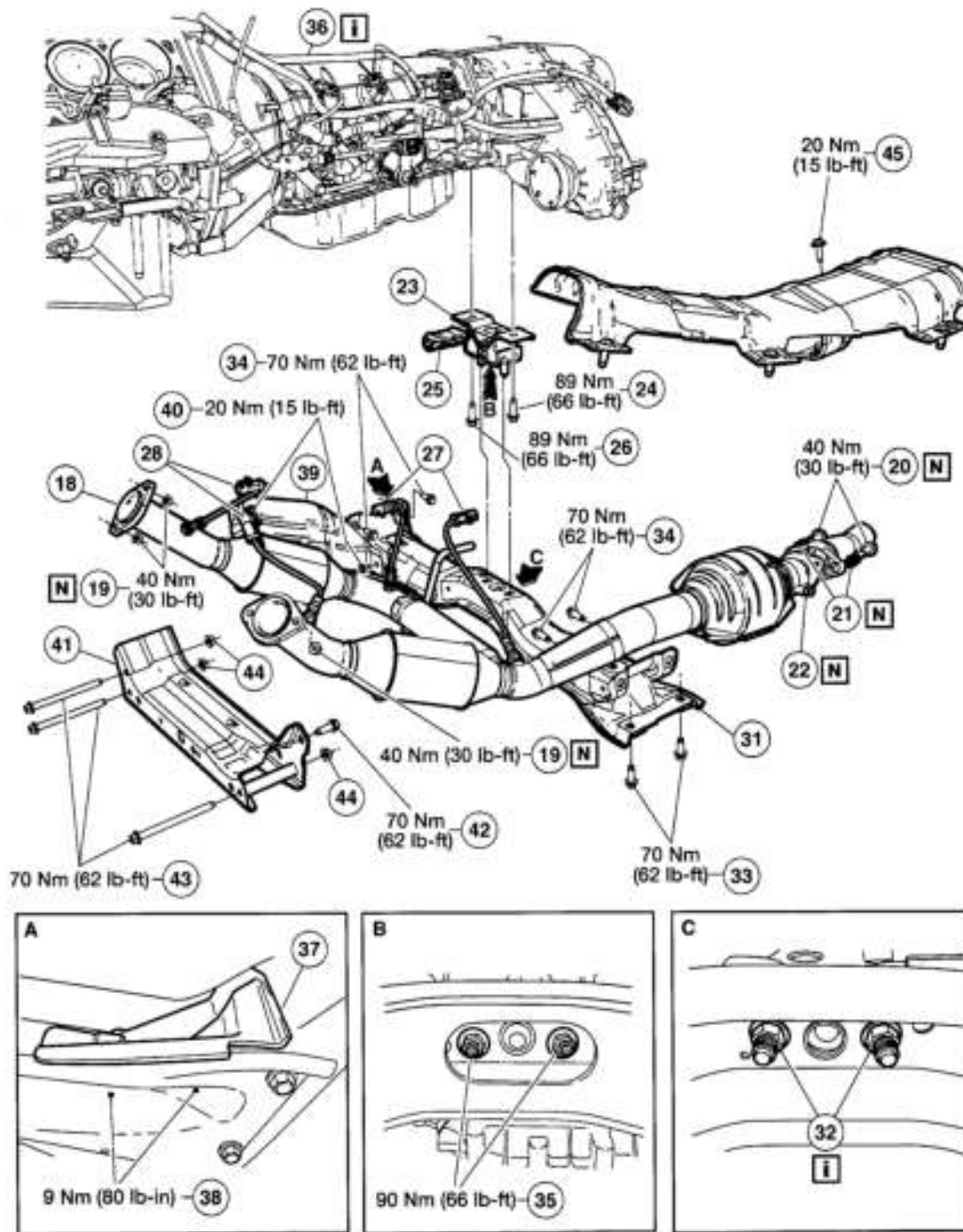


Item	Part Number	Description
1	7005	Transmission assembly Installation Note
2	W500128-S	Bell housing screws
3	9D319	Fuel line bracket Installation Note
4	W500128-S	Bell housing screw
5	W705443-S	Torque converter nuts
6	6C070	Torque converter access plug
7	7986	Inspection cover
8	W500031-S	Inspection cover screws
9	7A030	Fluid cooler line nuts Installation Note
10	7C078	Wire harness retainer clips
11	14A464	Speed sensor connectors
12	14A464	Solenoid body harness connector Installation Note
13	14A464	Transmission range (TR) sensor connector
14	14A464	Transfer case electrical connector
15	7B220	Shift cable and bracket
16	N605918-S	Shift cable screws
17	7E395	Shift cable eyelet

G03160390

Fig. 477: Identifying Installation Order Of Transmission - 4x4 (1 Of 4)
 Courtesy of FORD MOTOR CO.

3. Illustration 2 of 3. Install the components in the order indicated in the following illustration and table.



020182361

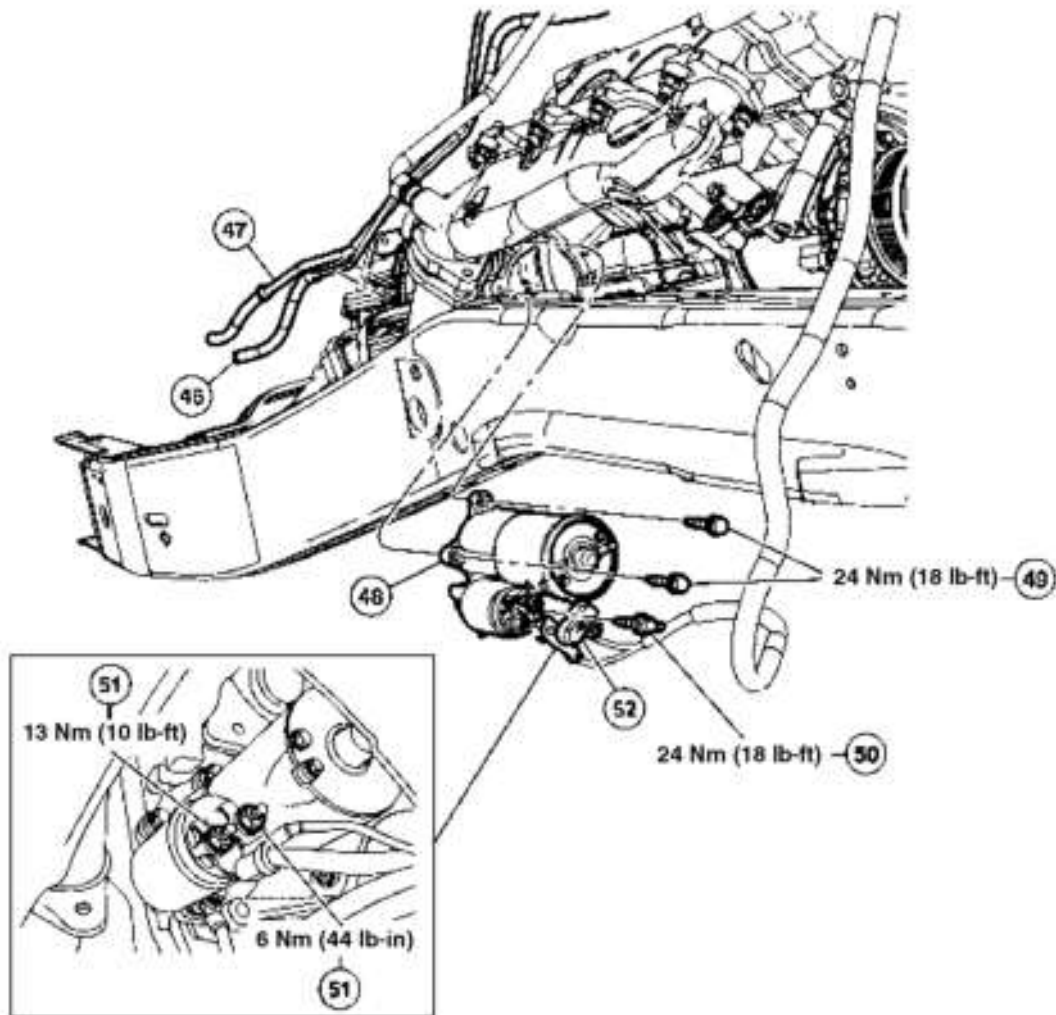
Fig. 478: Identifying Installation Order Of Transmission - 4x4 (2 Of 4)
 Courtesy of FORD MOTOR CO.

Item	Part Number	Description
18	5F250	Front exhaust crossover pipe
19	W705443-S	Upper exhaust flange nuts
20	W706780-S	Exhaust flange screws
21	5F264	Exhaust flange springs
22	N802641-S	Exhaust flag nuts
23	6D091	Rear transmission mount
24	W708138-S	Rear transmission mount screw
25	5E269	Exhaust hanger
26	W708138-S	Rear transmission mount screw
27	9G444	Catalyst monitor sensor electrical connector
28	9F472	Heated oxygen sensor electrical connector
29	5G220	Heat shield (refer to illustration No. 1) Installation Note
30	W707079	Heat shield screws (refer to illustration No. 1)
31	5005	Rear crossmember
32	N621945-S	Rear transmission support nuts Installation Note
33	—	Lower crossmember screws (4 req'd) (part of 5005)
34	—	Upper crossmember screws (part of 5005)
35	N621945-S	Rear transmission support nuts
36	7005	Transmission assembly Installation Note
37	9B007	Fuel tank shield
38	N621906-S	Fuel tank shield nuts
39	5D032	Heat shield
40	W707079-S	Heat shield screw
41	—	Front crossmember (part of 5005)
42	—	Front crossmember screw (part of 5005)
43	—	Front crossmember screws (part of 5005)
44	—	Front crossmember nuts (part of 5005)
45	W701834-S	Heat shield screw

G03182362

Fig. 479: Identifying Installation Order Of Transmission - 4x4 (3 Of 4)
Courtesy of FORD MOTOR CO.

4. Illustration 3 of 3. Install the components in the order indicated in the following illustration and table.



Item	Part Number	Description
46	9J280	Fuel line
47	9D676	Evaporator line
48	11001	Starter motor
49	N806771-S	Starter motor screw
50	N808980-S	Starter motor screw
51	14A280	Solenoid electrical connector
52	11N087-A	Terminal cover

G03180383

Fig. 480: Identifying Installation Order Of Transmission - 4x4 (4 Of 4)
 Courtesy of FORD MOTOR CO.

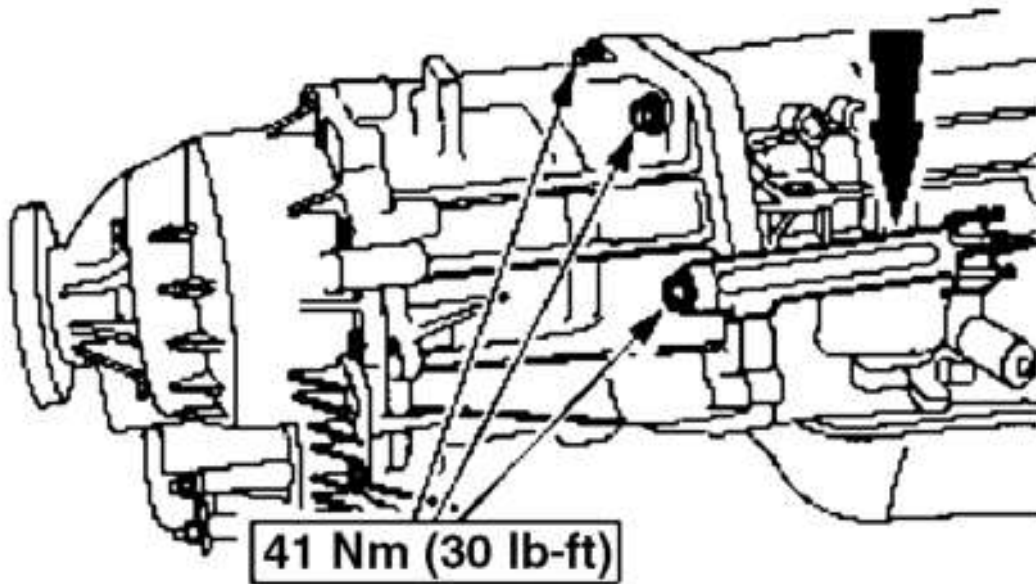
5. Install the driveshaft. For additional information, refer to **DRIVELINE SYSTEM**.
6. Connect the battery ground cable. For additional information, refer to **BATTERY & CHARGING SYSTEM**.
7. Position the fan shroud and install the bolts.
8. Carry out the fluid level check. For additional information, refer to **TRANSMISSION FLUID**

LEVEL CHECK.

9. Verify that the shift cable is correctly adjusted. For additional information, refer to **SELECTOR LEVER CABLE ADJUSTMENT.**
10. Check the operation of the transmission and inspect for leaks.

Item 1: Transmission Assembly Installation Note

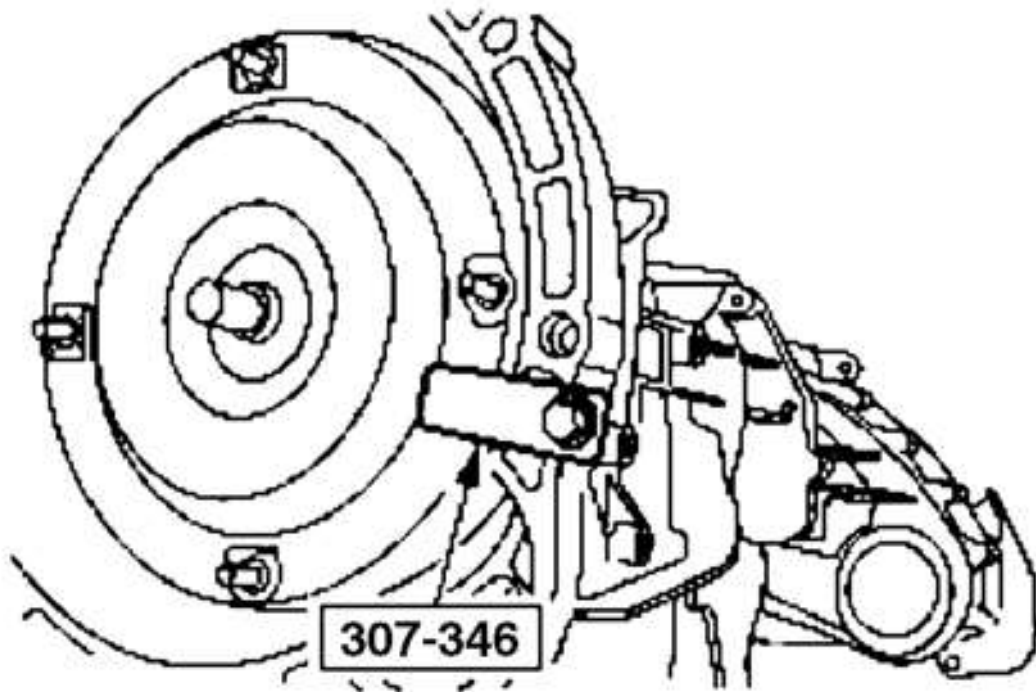
WARNING: Secure the transmission to the transmission jack with a safety chain. Failure to follow these instructions can result in personal injury.



G03182364

Fig. 481: Installing Transfer Case To Transmission
Courtesy of FORD MOTOR CO.

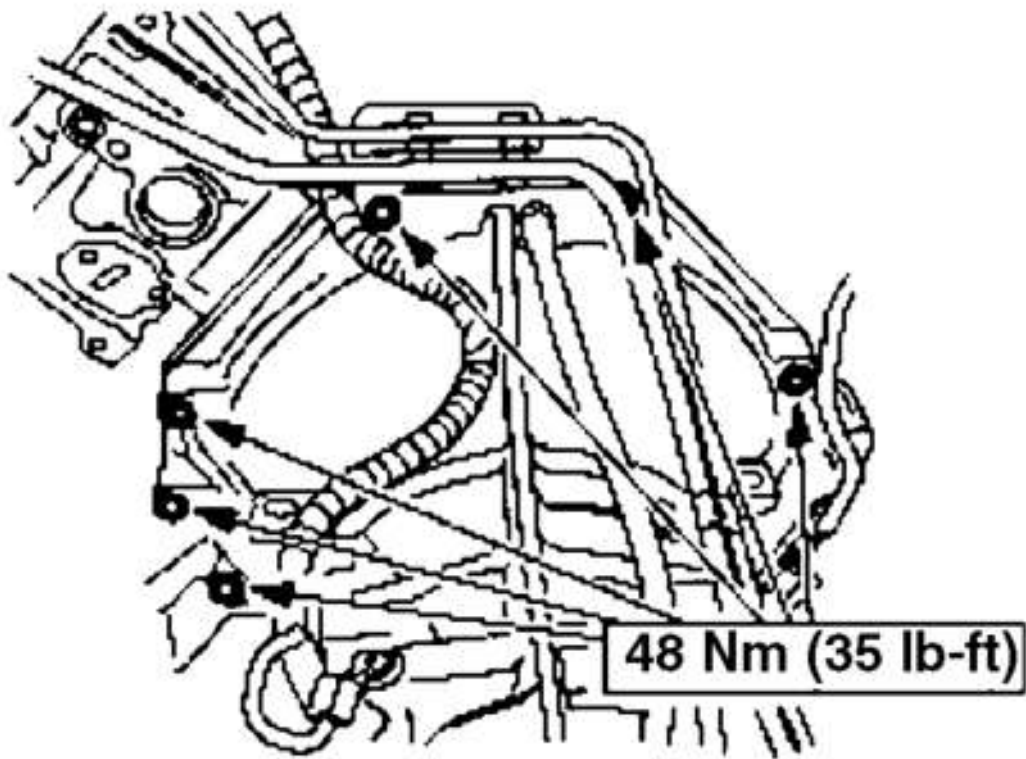
1. If removed, install the transfer case to the back of the transmission, install the bracket and connect the vent hose.
2. Remove the special tool.



G03182365

Fig. 482: Removing Special Tool
Courtesy of FORD MOTOR CO.

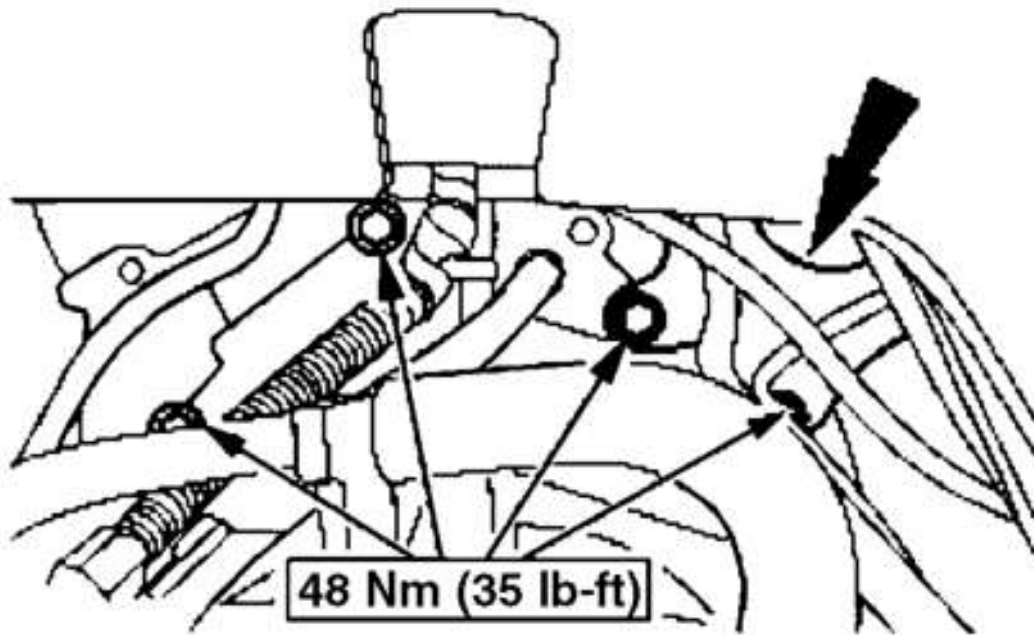
3. On vehicles equipped with a 4.6L engine, install the seven engine-to-transmission retaining bolts.



G03182366

Fig. 483: Installing Engine-To-Transmission Retaining Bolts
Courtesy of FORD MOTOR CO.

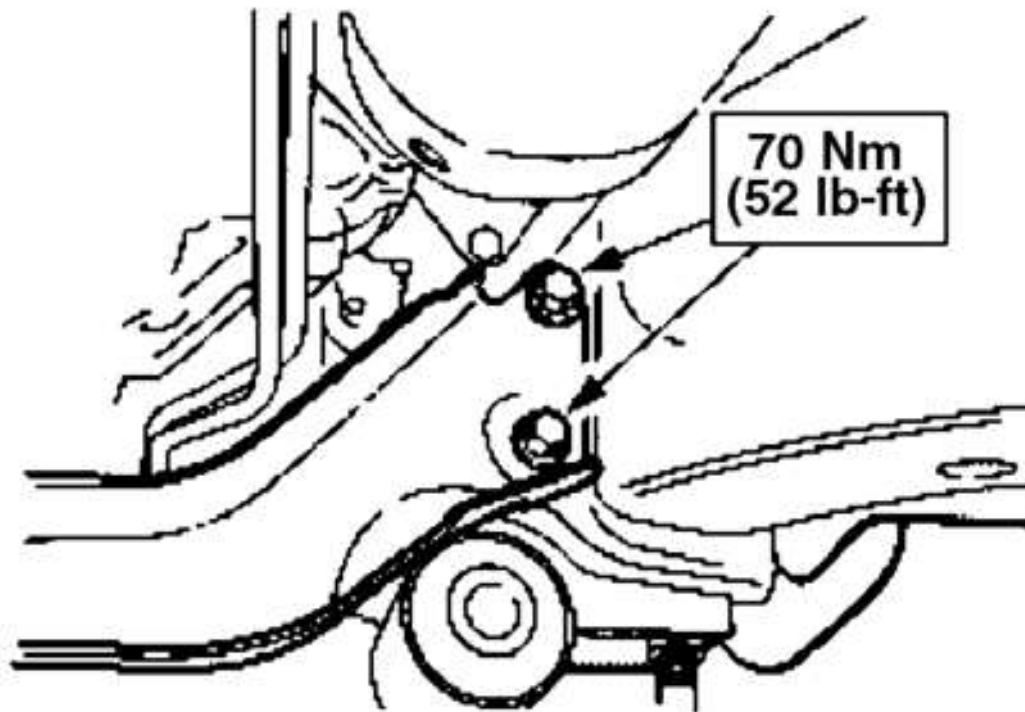
4. On vehicles equipped with a 4.0L engine, position the fuel line bracket in place and install the six retaining bolts.



G03182367

Fig. 484: Installing Retaining Bolts
Courtesy of FORD MOTOR CO.

NOTE: The RH side is shown, LH is similar.



G03182368

Fig. 485: Installing Front Crossmember
Courtesy of FORD MOTOR CO.

5. Install the front crossmember.

WARNING: Make sure that the transmission and transfer case assembly are secured to the transmission jack with a safety chain. Failure to follow these instructions can result in personal injury.

NOTE: Align the flexplate-to-converter marks made during the removal procedure.

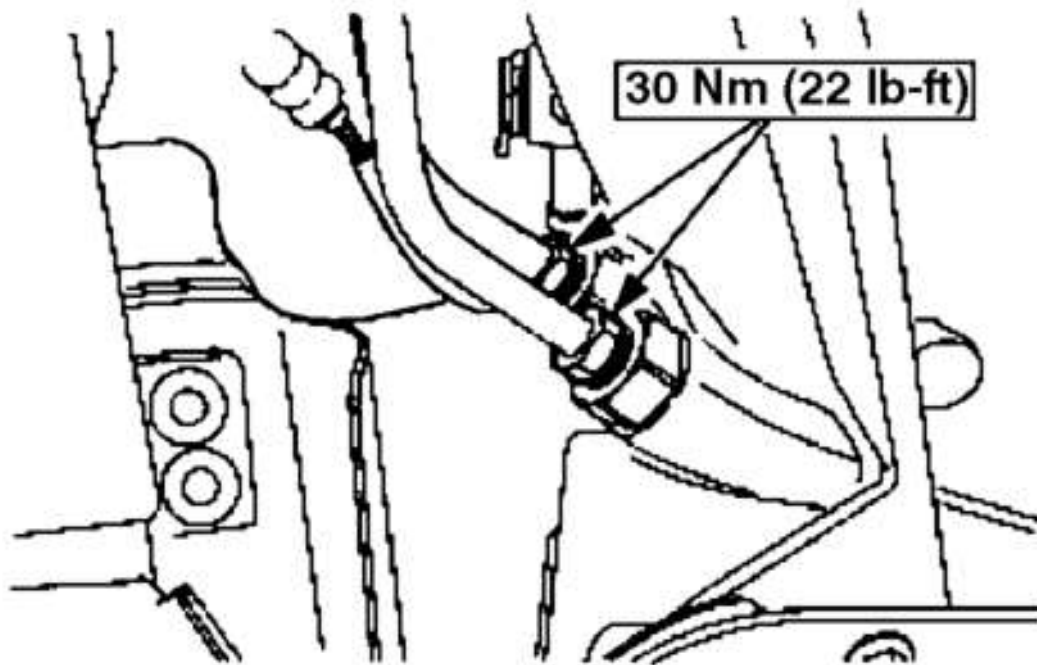
6. Raise and position the transmission and transfer case to the back of the engine. Remove the special tool prior to attaching the transmission to the engine.

Item 3: Fuel Line Bracket Installation Note

1. Position the fuel line bracket in place prior to installing the remaining transmission retaining screws.

Item 9: Fluid Cooler Nuts Installation Note

CAUTION: Use care not to bend or force the cooler tubes otherwise damage to the cooler tubes and the transmission can result.



G03182369

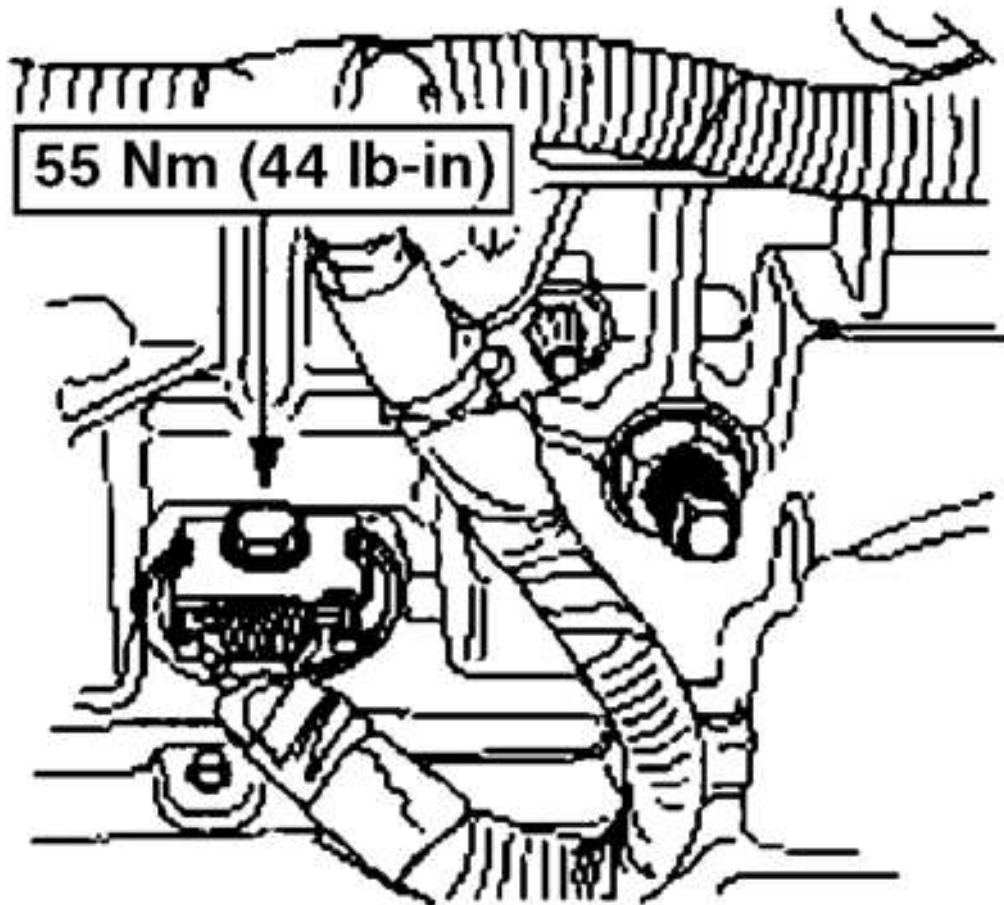
Fig. 486: Installing Transmission Fluid Cooler Tubes
Courtesy of FORD MOTOR CO.

1. Install the transmission fluid cooler tubes.

Item 12: Solenoid Body Harness Connector Installation Note

CAUTION: Damage will occur to the solenoid body assembly if the screw is tightened above the specification.

- NOTE:** Always install new O-ring seals on the vehicle harness connector.
- NOTE:** Clean the area around the connector to prevent contamination of the solenoid body connector.
- NOTE:** Use petroleum jelly to lubricate the O-ring seals to aid in the installation process.



G03182370

Fig. 487: Installing And Lubricate New O-Ring Seals On Transmission Connector
Courtesy of FORD MOTOR CO.

1. Install and lubricate new O-ring seals on the transmission connector and connect the connector.

Item 29: Heat Shield Installation Note

1. Position the heat shield in place and install the screws.

Item 32: Rear Transmission Support Nuts Installation Note

1. Loosely install the rear transmission support nuts.

Item 36: Transmission Assembly Installation Note

1. Remove the transmission jack.
2. Use the following guidelines for the in-line transmission fluid filter:

- If the transmission was overhauled and the vehicle was equipped with an in-line fluid filter, install a new in-line fluid filter.
- If the transmission was overhauled and the vehicle was not equipped with an in-line fluid filter, install a new in-line fluid filter kit.
- If the transmission is being installed for a non-internal repair, do not install an in-line filter or filter kit.
- If installing a new or a Ford-authorized remanufactured transmission, install the in-line transmission fluid filter that is supplied.

Prior to lowering the vehicle, install a new in-line transmission filter or a filter kit. For additional information refer to **TRANSMISSION FLUID IN-LINE FILTER**.