


REMOVAL

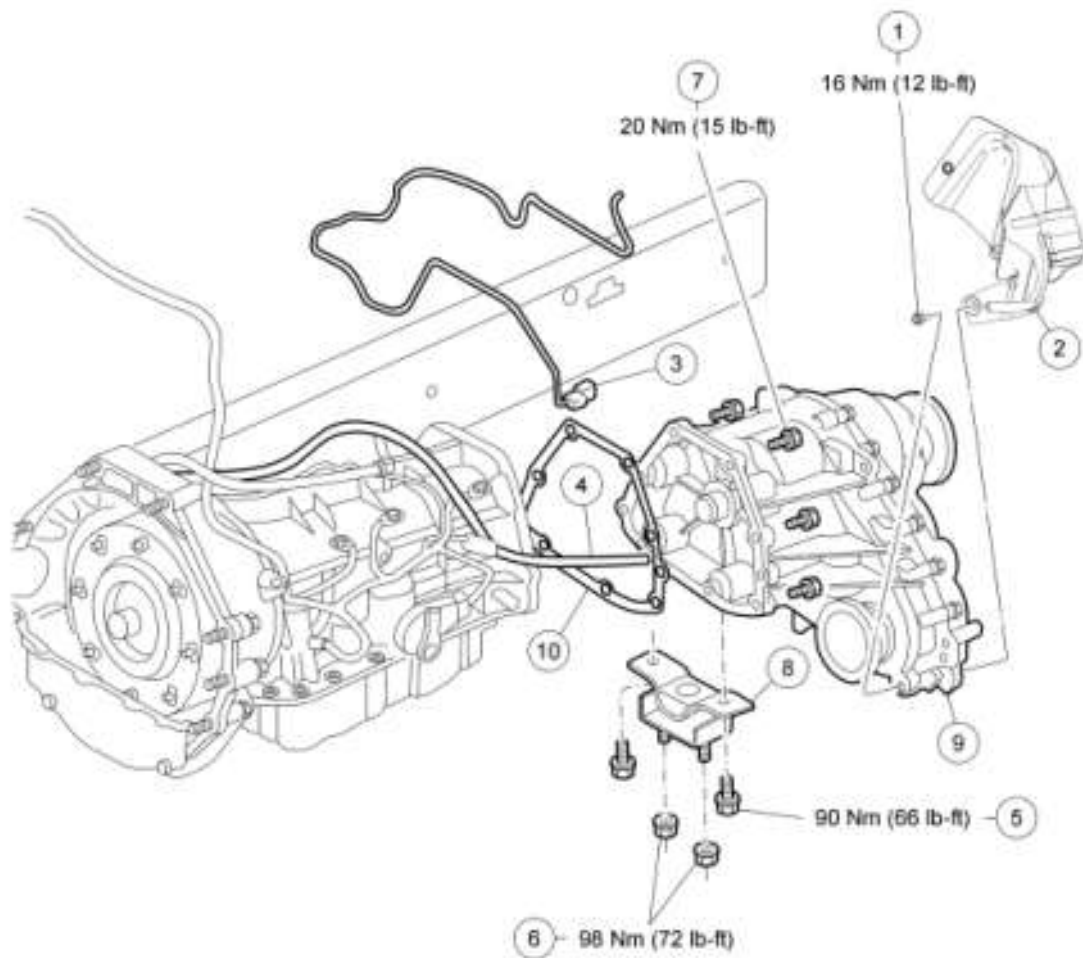
TRANSFER CASE

Special Tools

Illustration	Tool Name	Tool Number
	Transmission Jack	077-00116

Material

Item	Specification
Motorcraft Metal Surface Cleaner ZC-21	WSE-M5B392-A

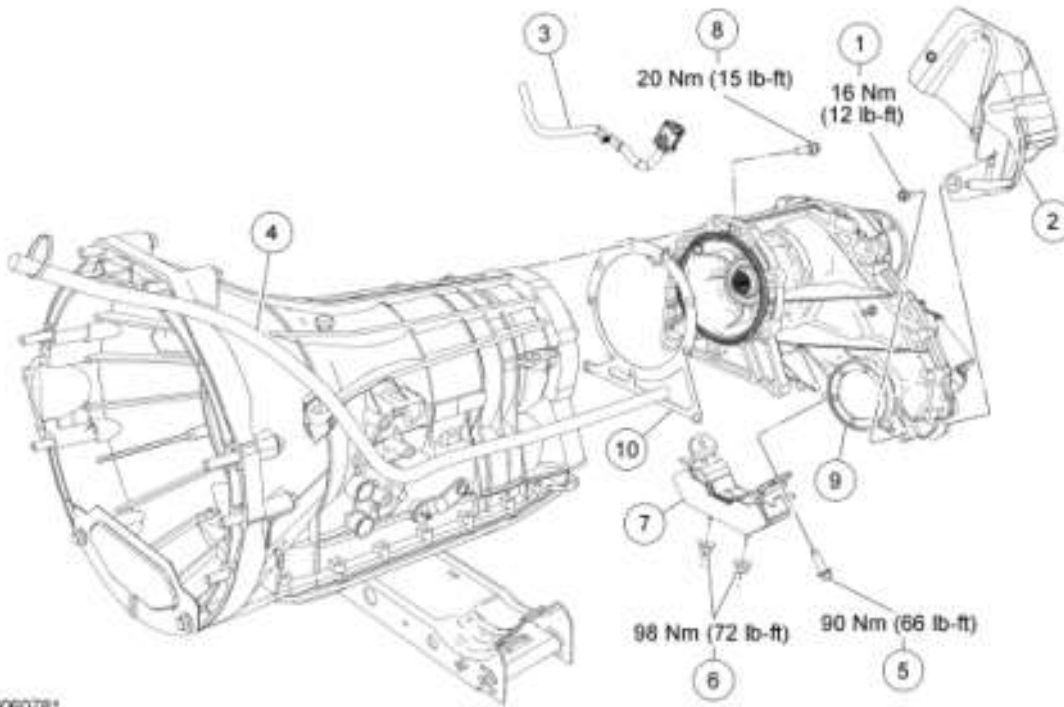


N0060780

Fig. 167: Exploded View Of Transfer Case With Torque Specifications - 4.0L with 5R55

Courtesy of FORD MOTOR CO.

Item	Part Number	Description
1	W706695-S900	Heat shield bolt (3 required)
2	7F168	Heat shield
3	14A099	Transfer case wire harness
4	-	Transfer case vent tube
5	W707429-S900	Transmission insulator-to-transfer case bolt (2 required)
6	N621945-S301	Crossmember-to-transmission insulator nuts (2 required)
7	7A443	Transfer case-to-transmission bolt (7 required)
8	6068	Transmission insulator
9	7A195	Transfer case
10	7086	Transfer case-to-transmission gasket



N0060781

Fig. 168: Exploded View Of Transfer Case With Torque Specifications - 4.6L with 6R60
 Courtesy of FORD MOTOR CO.

Item	Part Number	Description
1	W706695-S900	Heat shield bolt (3 required)
2	7F168	Heat shield
3	14A099	Transfer case wire harness
4	-	Transfer case vent tube
5	W707429-S900	Transmission insulator-to-transfer case bolts (2 required)

6	N621945-S301	Crossmember-to-transmission insulator nuts (2 required)
7	6068	Transmission insulator
8	W500311-S309	Transfer case-to-transmission bolt (7 required)
9	7A195	Transfer case
10	7086	Transfer case-to-transmission gasket

REMOVAL

1. Remove the rear driveshaft. For additional information, refer to **DRIVESHAFT** .
2. Remove the front driveshaft. For additional information, refer to **DRIVESHAFT** .
3. Remove the 4 bolts and the skid plate, if equipped.

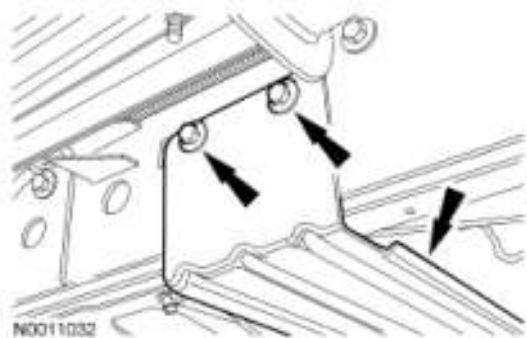


Fig. 169: Locating Skid Plate And Bolts
Courtesy of FORD MOTOR CO.

4. Drain the fluid if the transfer case is to be disassembled. For additional information, refer to **Transfer Case Draining and Filling**.
5. Disconnect the shift motor electrical connector.



Fig. 170: Locating Shift Motor Electrical Connector
Courtesy of FORD MOTOR CO.

6. Disconnect the vent hose from the transfer case.

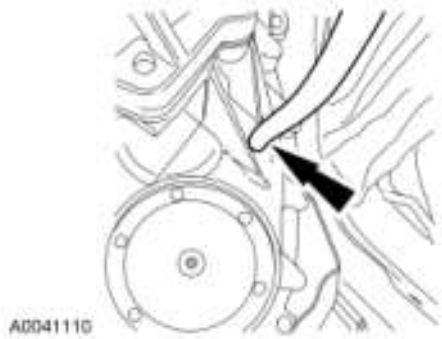


Fig. 171: Locating Vent Hose
Courtesy of FORD MOTOR CO.

7. Position a suitable jack under the transmission.

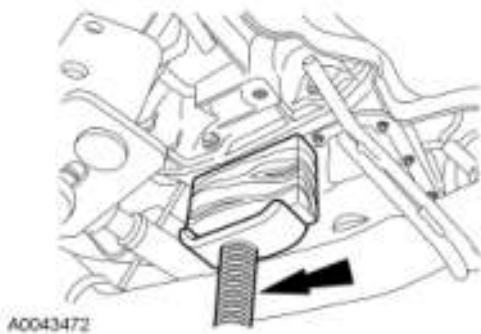


Fig. 172: Positioning Suitable Jack Under Transmission
Courtesy of FORD MOTOR CO.

8. Remove and discard the 7 transfer case-to-transmission bolts.
9. Position a suitable transmission jack to the transfer case. Securely strap the transfer case to the jack.

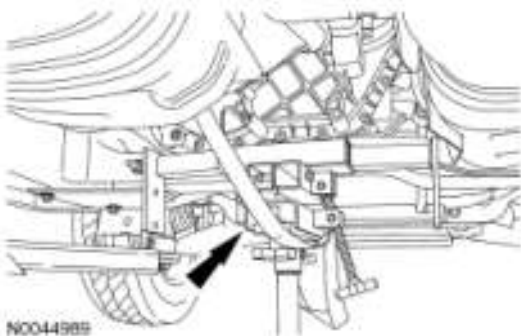


Fig. 173: Positioning Transmission Jack To Transfer Case
Courtesy of FORD MOTOR CO.

10. Move the transfer case rearward. Remove the transmission insulator, then move the transfer case forward. Using the jack, tip the rear end of the transfer case downward, remove from the vehicle.
11. Remove the transfer case-to-transmission gasket and clean the mating surfaces of the transfer case and the transmission.