


INSTALLATION

TRANSFER CASE

Special Tools

Illustration	Tool Name	Tool Number
	Transmission Jack	077-00116

INSTALLATION

1. Install a new transfer case-to-transmission gasket onto the transfer case.
2. Position the transfer case and install 7 new aluminum transfer case-to-transmission bolts.
 - Tighten to 20 N.m (15 lb-ft).
3. Remove the transmission jack from the transfer case.

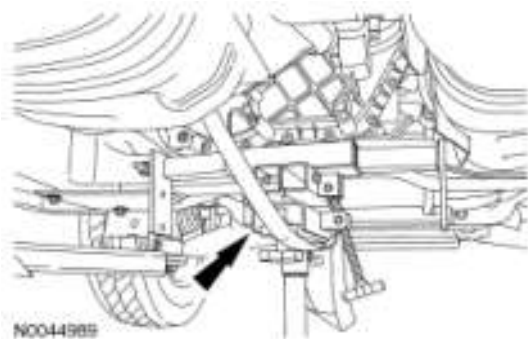


Fig. 174: Positioning Transmission Jack To Transfer Case
Courtesy of FORD MOTOR CO.

4. Connect the vent hose to the transfer case.

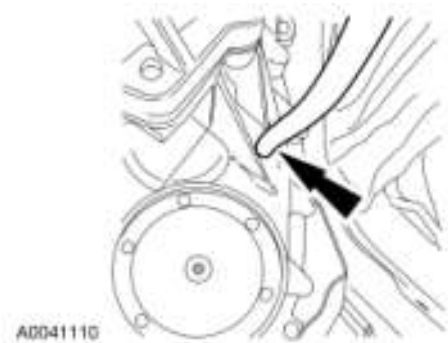


Fig. 175: Locating Vent Hose
Courtesy of FORD MOTOR CO.

5. Connect the shift motor electrical connector.



Fig. 176: Locating Shift Motor Electrical Connector
Courtesy of FORD MOTOR CO.

6. Position the skid plate and install the 4 bolts, if equipped.
 - Tighten to 24 N.m (18 lb-ft).

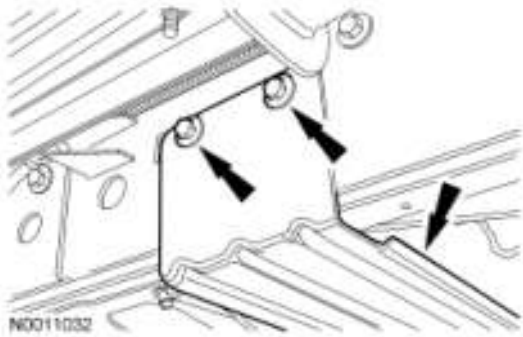


Fig. 177: Locating Skid Plate And Bolts
Courtesy of FORD MOTOR CO.

7. Install the front driveshaft. For additional information, refer to **DRIVESHAFT** .
8. Install the rear driveshaft. For additional information, refer to **DRIVESHAFT** .
9. Fill the transfer case. For additional information, refer to **Transfer Case Draining and Filling**.