

2003 ELECTRICAL

Fuses & Circuit Breakers - Excursion & F250-F550 Super Duty Pickups

IDENTIFICATION

CAUTION: When battery is disconnected, vehicle computer and memory systems may lose memory data. Driveability problems may exist until computer systems have completed a relearn cycle. See **COMPUTER RELEARN PROCEDURES** article in **GENERAL INFORMATION** before disconnecting battery.

AUXILIARY RELAY BOX 1

NOTE: Auxiliary relay box 1 is located behind center of dash panel. See **Fig. 1**.

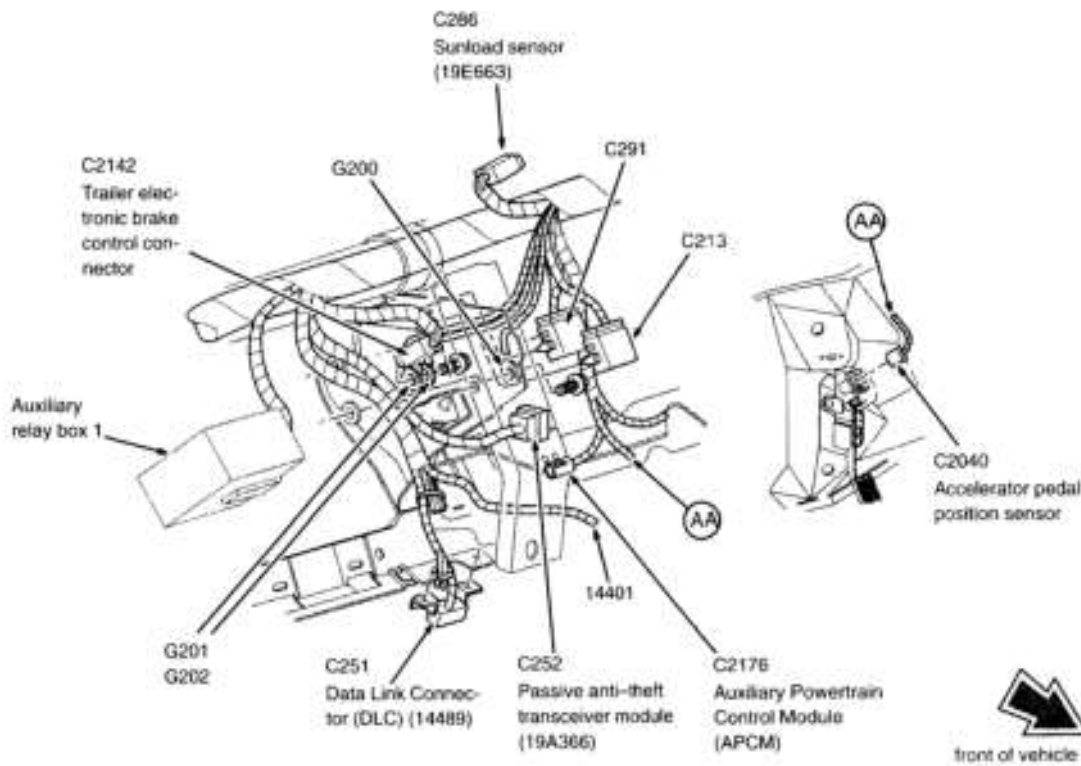
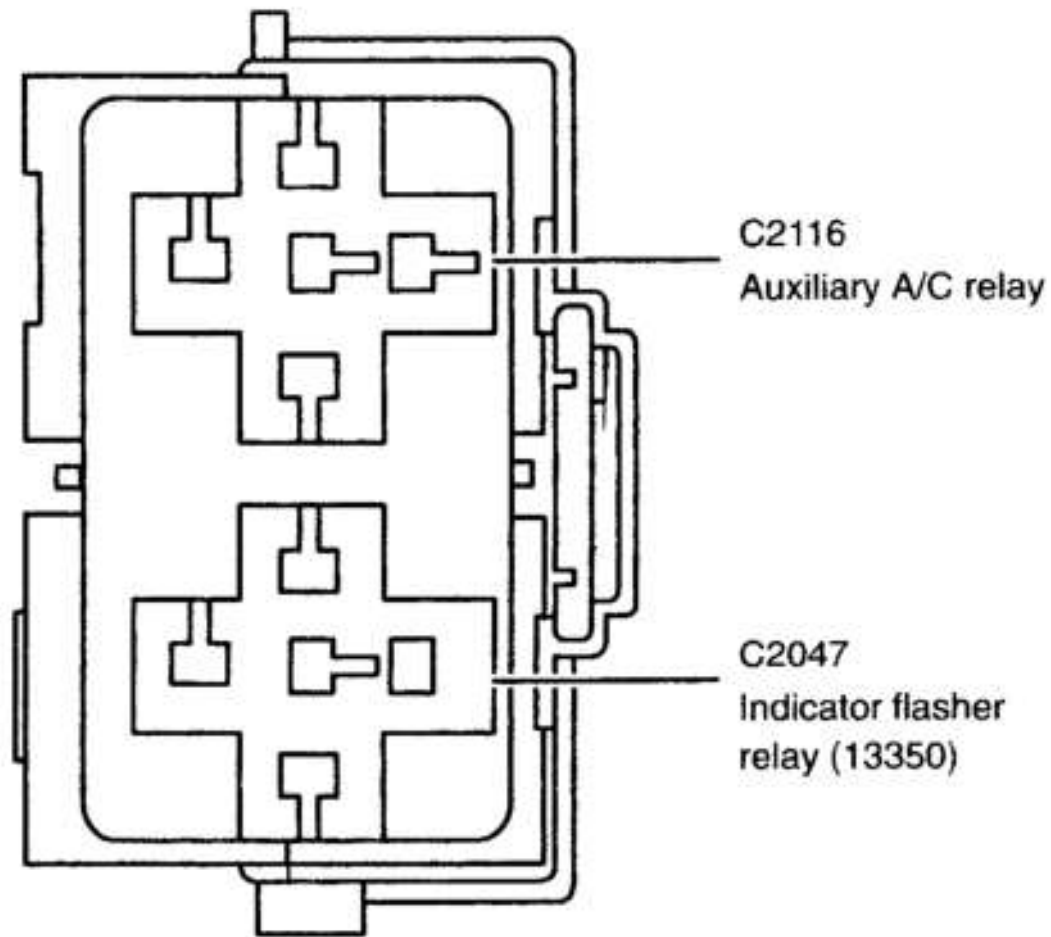


Fig. 1: Locating Center Dash Panel Electrical Components
Courtesy of FORD MOTOR CO.

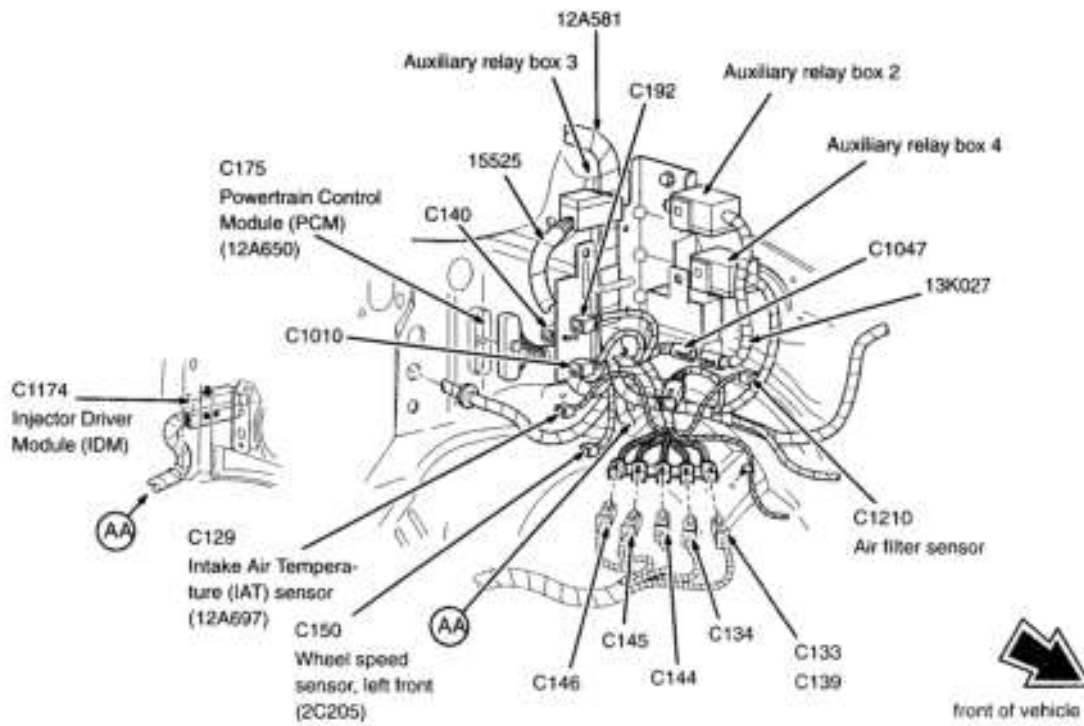


G00323049

Fig. 2: Identifying Auxiliary Relay Box 1 Components
 Courtesy of FORD MOTOR CO.

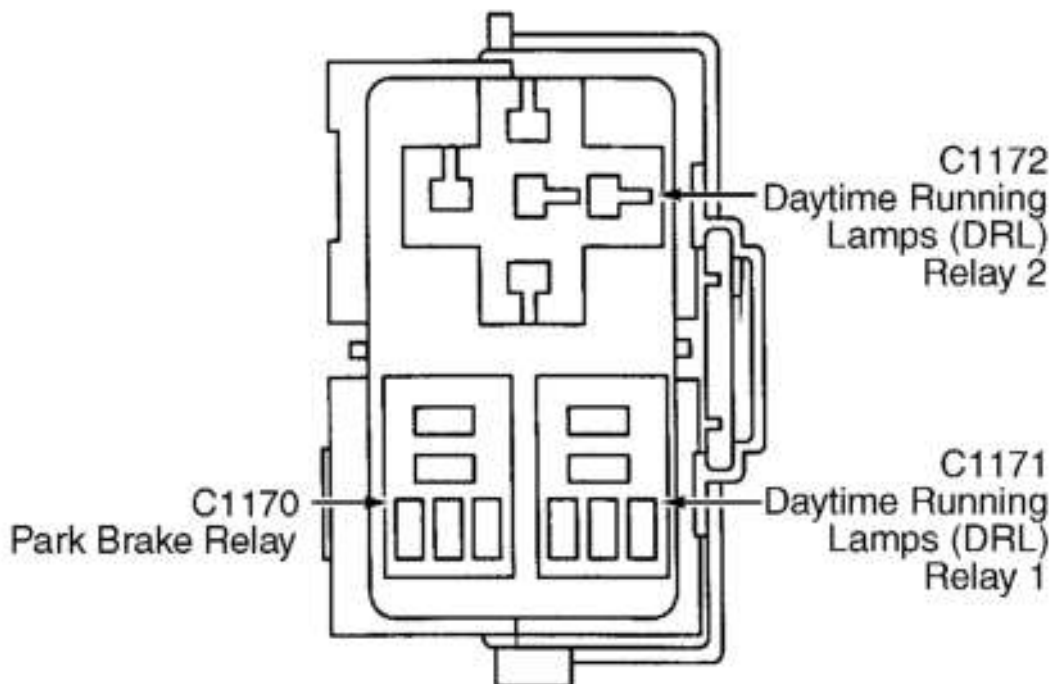
AUXILIARY RELAY BOX 2

NOTE: Auxiliary relay box 2 is located in left rear corner of engine compartment.
 See Fig. 3.



G00023050

Fig. 3: Locating Auxiliary Relay Boxes
 Courtesy of FORD MOTOR CO.



G00323051

Fig. 4: Identifying Auxiliary Relay Box 2 Components
Courtesy of FORD MOTOR CO.

AUXILIARY RELAY BOX 3

NOTE: Auxiliary relay box 3 is located in left rear corner of engine compartment.
See Fig. 3.

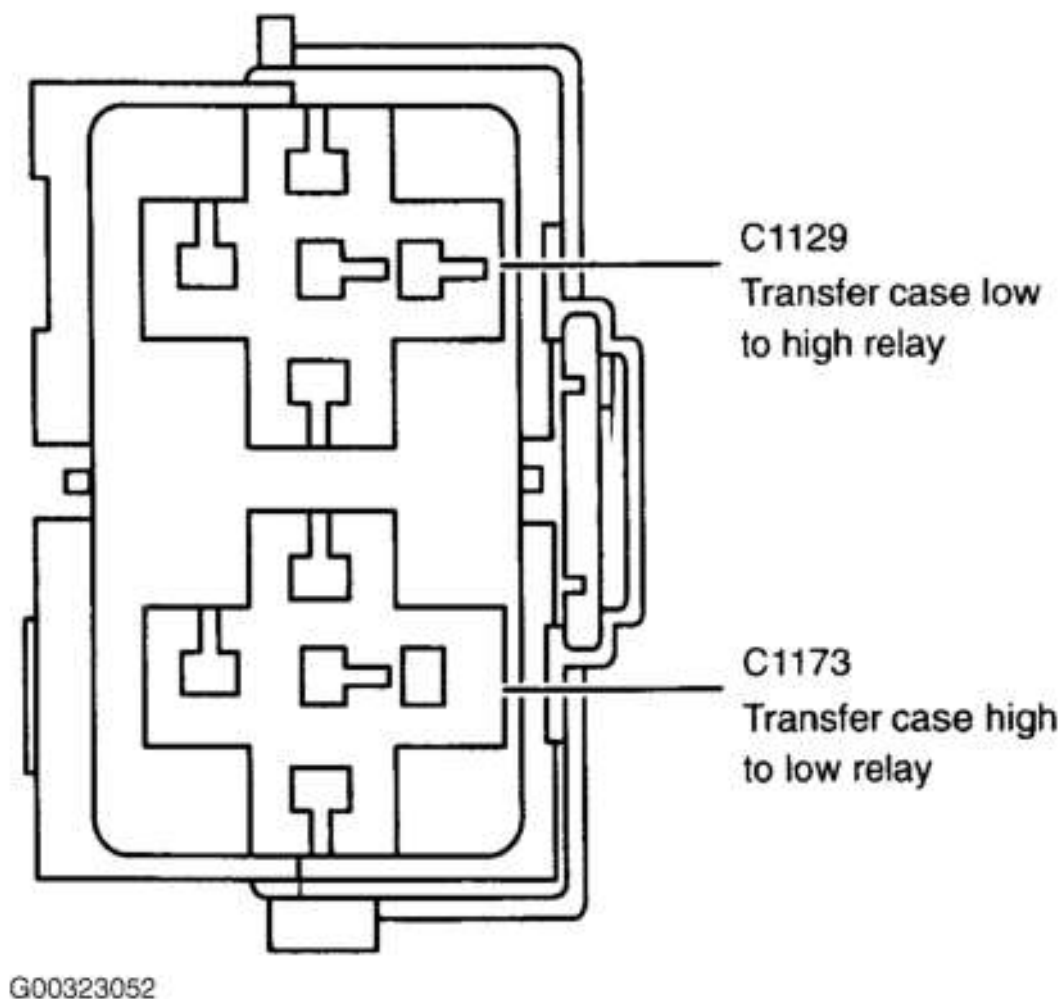
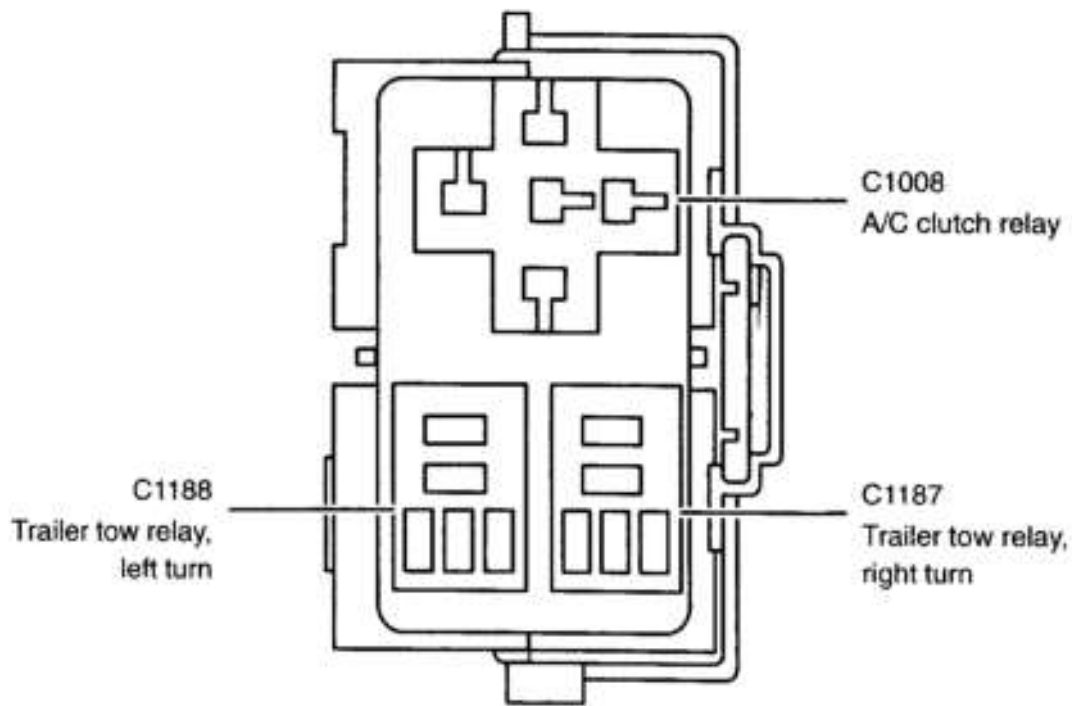


Fig. 5: Identifying Auxiliary Relay Box 3 Components
Courtesy of FORD MOTOR CO.

AUXILIARY RELAY BOX 4

NOTE: Auxiliary relay box 3 is located in left rear corner of engine compartment.
See Fig. 3.



G00323053

Fig. 6: Identifying Auxiliary Relay Box 4 Components
Courtesy of FORD MOTOR CO.

AUXILIARY RELAY BOX 5

NOTE: Auxiliary relay box 5 is located in left rear corner of engine compartment.
See Fig. 7.

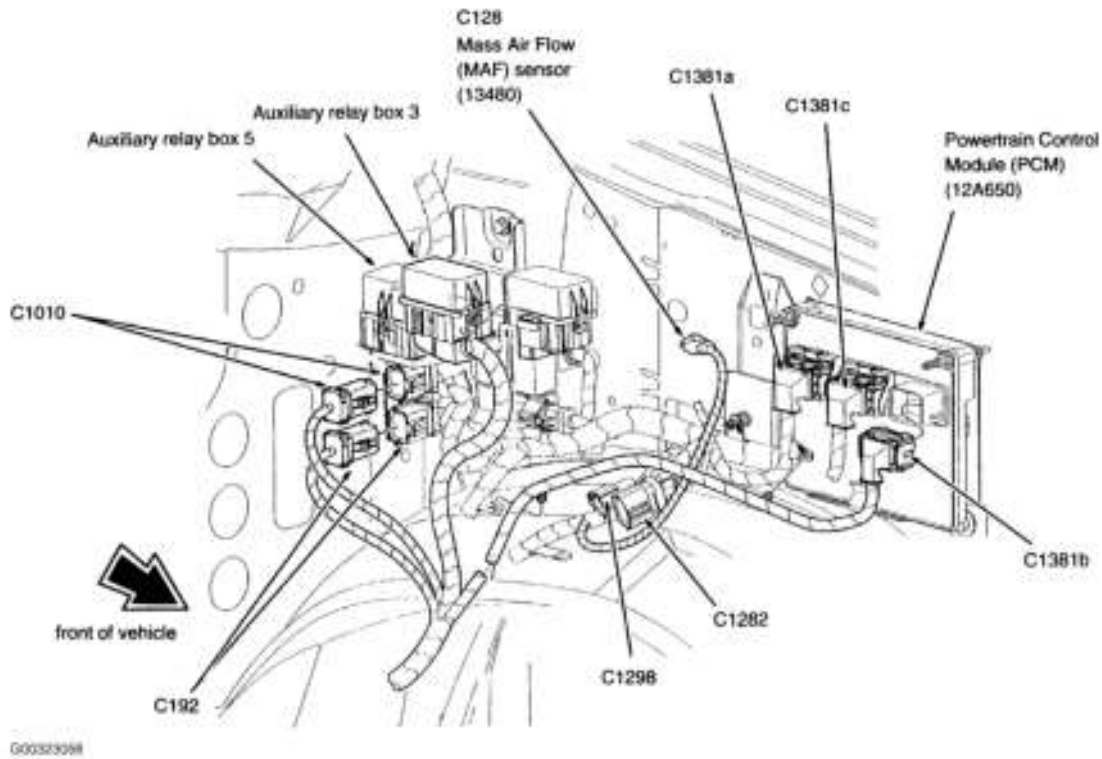


Fig. 7: Locating Auxiliary Relay Box 5
 Courtesy of FORD MOTOR CO.

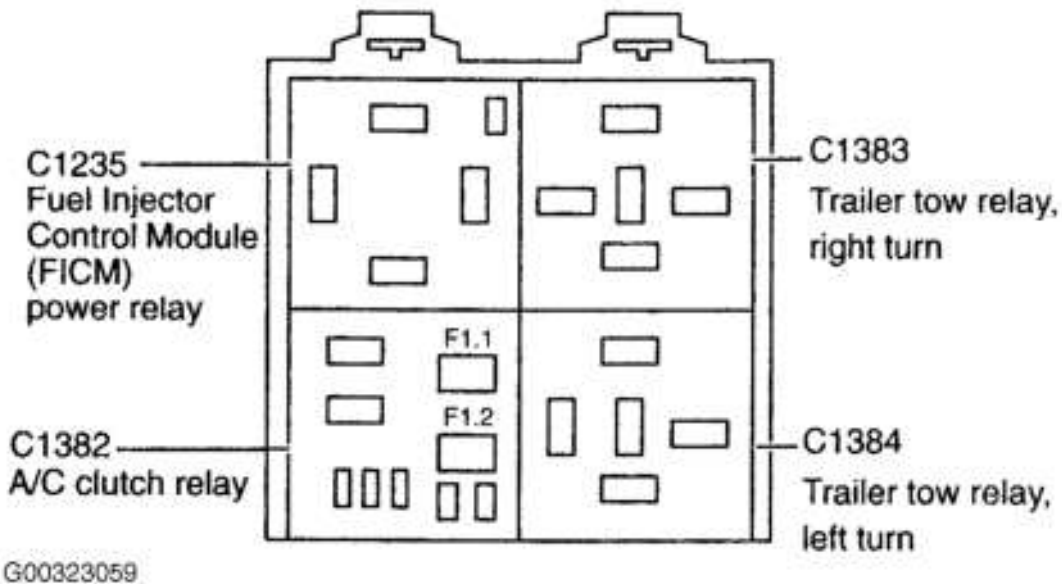
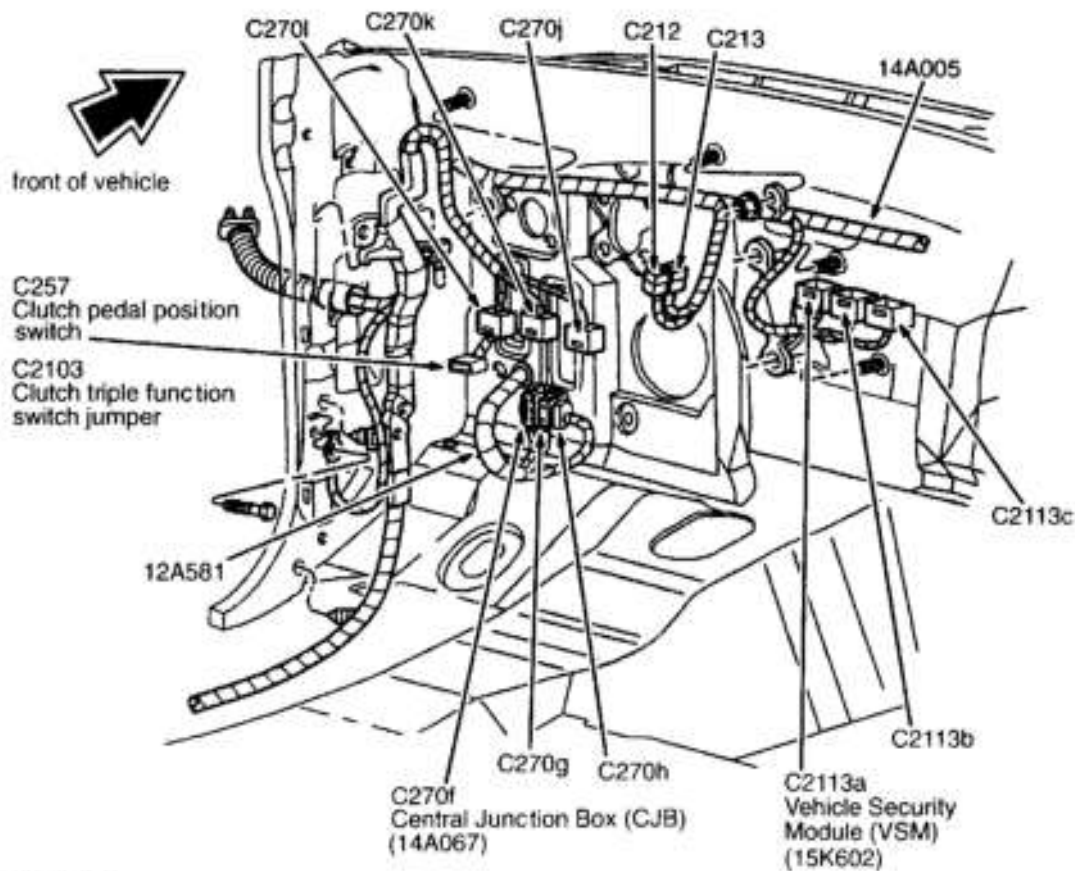


Fig. 8: Identifying Auxiliary Relay Box 5 Components
 Courtesy of FORD MOTOR CO.

CENTRAL JUNCTION BOX

NOTE: Central junction box may also referred to as passenger compartment fuse panel.

NOTE: Central junction box is located under driver's side of instrument panel. See Fig. 9.



G00323054

Fig. 9: Locating Instrument Panel Electrical Components
Courtesy of FORD MOTOR CO.

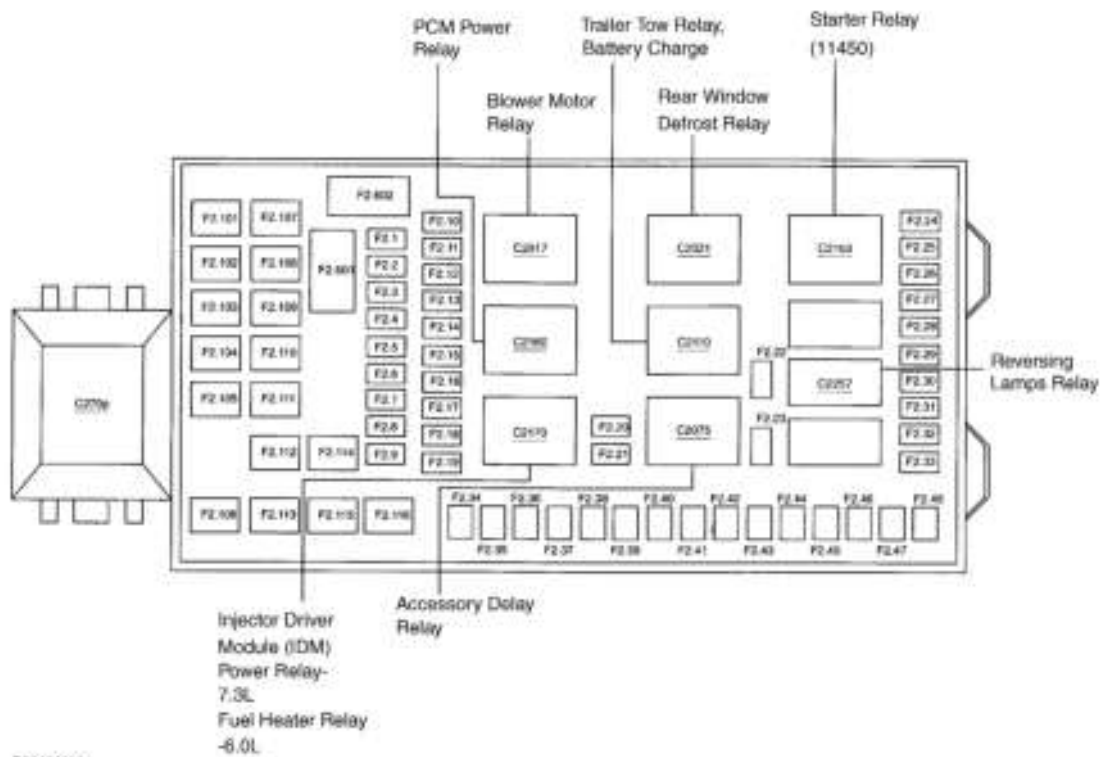


Fig. 10: Identifying Central Junction Box Components
 Courtesy of FORD MOTOR CO.

Fuse	Amps	Circuits protected
F2.1	15A	Adjustable Pedal
F2.2	30A	Power point, console (18N236)
F2.3	30A	Power point, C pillar (18N236)
F2.4	30A	Power point, instrument panel (18N236)
F2.5	30A	Power point, rear (18G247)
F2.6	30A	Turn signal relay, Trailer tow
F2.7	30A	Headlamps, High Beam/Flash-to-Pass
F2.8	15A	Reversing lamps
F2.9	20A	Power mirrors
F2.10	10A	A/C clutch relay, A/C clutch solenoid
F2.11	20A	Radio (18906)
F2.12	20A	Cigar lighter, front (13055), Data Link Connector (DLC) (14488)
F2.13	5A	Seat adjust switch, driver side front (14A701), Exterior rear view mirror switch (17D676)
F2.14	15A	Headlamp circuit (DRL)
F2.15	10A	Driver seat module (14C718)
F2.16	15A	DVD player, Rear Integrated Control Panel (RCP) (19990), Rear Seat Entertainment (RSE) module
F2.17	15A	Filler for lamps, Trailer tow reflex parking lamp
F2.18	20A	Brake pedal position switch (13480), Indicator flasher relay (13350)
F2.19	10A **5A	Vehicle Security Module (VSM) (13M602)
F2.20	30A	Injector Driver Module (IDM) - 5 DL
F2.21	25A	Luggage wiper
F2.22	30A	Fuel injectors, Powertrain Control Module (PCM) (12A650) - Gasoline engines
	30A	Powertrain Control Module (PCM) (12A650), Fuel System, Mass Air Flow (MAF) sensor (128578) - Diesel engines
F2.23	30A	Heated oxygen sensors (HO2S), A/C clutch relay, Vapeur management valve, 4R100 transmission (7Q091), EVAP transfer vent control solenoid
F2.24	2A	Air Suspension, ** Brake pressure switch (2B264)
F2.25	10A	ABS control module (2C213), Electronic fan clutch
F2.26	18A	Restraints control module (14B321)
F2.27	15A	Auxiliary Climate Control, Heated seats, Vacuum pump motor, speed control, Overhead console, Brake shift interlock, Electronic Shift On the Fly (ESOF) solenoid, Digital Transmission Range (DTR) sensor (17390), Overhead console, Parking Aid Module (PAM) (15K36E)
F2.28	10A	Climate Control System
F2.29	10A	Customer access 1
F2.30	15A	Headlamps, High Beam/Flash-to-Pass
F2.31	15A	Shift Lock - 4R100, Starter motor (11002) - 3orgShift
F2.32	5A	Radio (18906)
F2.33	15A	Wiper/washer, Instrument cluster (10B45), Four-wheel drive control module (14B46E), Fuel Tank Selector
F2.34	10A	Brake pedal position switch (13480), Positive anti-theft transceiver module (15667), Electronic Automatic Temperature Control (EATC) module (19980), Four-wheel drive control module (14B46E), Brake pressure switch (2B264)
F2.35	10A	Instrument cluster, Interior lamps
F2.36	10A	Powertrain Control Module (PCM) (12A650)
F2.37	15A	Horn
F2.38	20A	Trailer tow
F2.39	15A	Trailer tow Reversing lamps
F2.40	20A	Fuel pump
F2.41	10A	Battery sensor relay
F2.42	15A	Accessory delay, Radio (18906), Power Door Locks
F2.43	10A	fog lamps
F2.44	10A	Anti-theft
F2.45	10A	Overdrive cancel switch (7Q550), Accelerator pedal position sensor, Four-wheel drive control module (14B46E), Instrument cluster - Extension
	10A	Clutch pedal position switch, Auxiliary Powertrain Control Module (APCM), Accelerator pedal position sensor, Overdrive cancel switch (7Q550), Four-wheel drive control module (14B46E), Instrument cluster - Pickup
F2.46	10A	headlamp, left (13055), Low beam
F2.47	10A	Headlamp, right (13056), Low beam
F2.48	10A	Rear wiper motor assembly

* Late production ** 5.0L

00022308

Fig. 11: Central Junction Box Legend (1 Of 2)
 Courtesy of FORD MOTOR CO.

Fuse	Amps	Circuits protected
F2.101	30A	Electric trailer brakes
F2.102	30A	Vehicle Security Module (VSM) (15K602), Power Door Locks
F2.103	50A	Ignition switch (11572), Run/Start power circuit, Injector Driver Module (IDM) – 6.0L
F2.104	40A	Rear window defrost, Heated mirrors
F2.105	30A	Injector Driver Module (IDM) – 7.3L, Fuel heater relay – 6.0L
F2.106	30A	Windshield wiper motor (17508)
F2.107	40A	Heater blower motor (19805), Auxiliary A/C relay
F2.108	40A	Auxiliary Climate Control
F2.109	30A	Heated seats
F2.110	50A	Ignition switch (11572), Run power circuit
F2.111	30A	Transfer case low to high relay, Transfer case high to low relay
F2.112	30A	Driver seat module (14C718) (with memory), Seat adjust switch, driver side front (14A701) (without memory)
F2.113	30A	Starter motor (11002)
F2.114	30A	Seat adjust switch, passenger side front
F2.115	20A	Trailer battery charge
F2.116	30A	Ignition switch (11572), Run/Start power circuit
F2.601	30A c.b.	Accessory delay, Power windows, Power sliding roof
F2.602	60A	ABS control module (2C219)

000003007

Fig. 12: Central Junction Box Legend (2 Of 2)
 Courtesy of FORD MOTOR CO.

FOG LAMP RELAY DIODE

NOTE: Fog lamp relay diode is located behind dash panel, LH side. No additional information is available from manufacturer.

FUSIBLE LINKS

NOTE: Fusible links A and B are located in engine compartment, LH side, rear. Fusible link C is located in engine compartment, rear. Fusible links D and E are located in engine compartment, RH side. Fusible links F and G are located on engine, top. Fusible links H, I and J are located in engine compartment, LH side, front. No additional information is available from manufacturer.

GLOW PLUG RELAY (DIESEL)

NOTE: Glow plug relay is located on engine, top. No additional information is available from manufacturer.

HEADLAMP RELAY

NOTE: Headlamp relay is located in the Vehicle Security Module (VSM). See [Fig. 9](#). Headlamp relay is not serviceable.

HIGH SPEED BLOWER MOTOR RELAY

NOTE: High speed blower motor relay is located in vehicle interior, RH side, after C pillar. See [Fig. 13](#). No additional information is available from manufacturer.

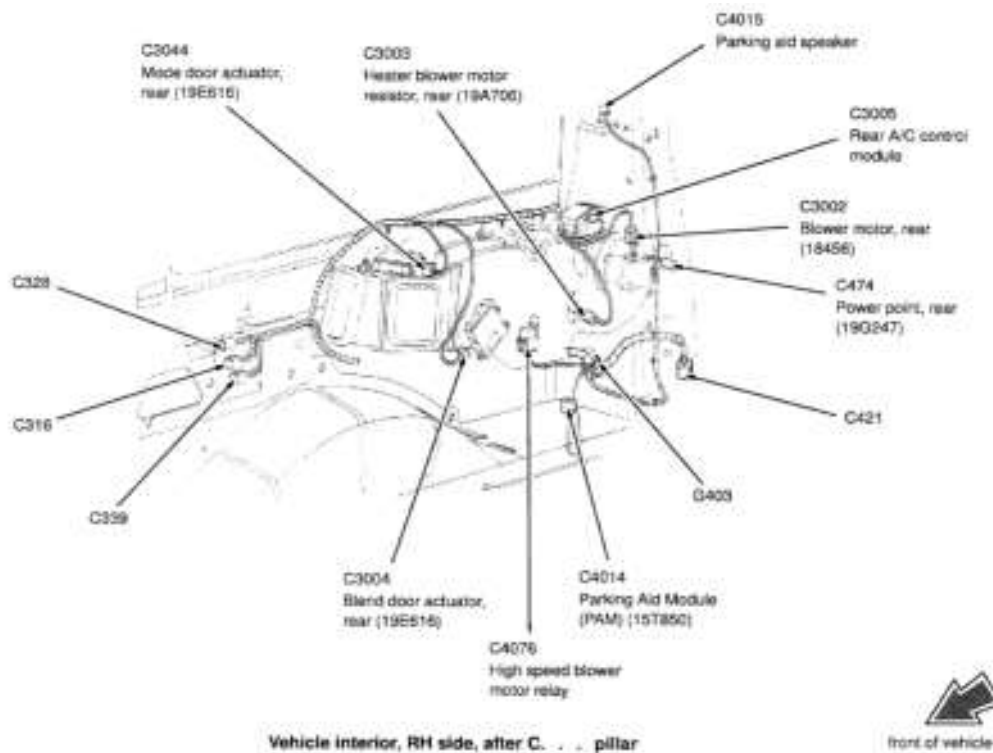


Fig. 13: Locating High Speed Blower Motor Relay
Courtesy of FORD MOTOR CO.

INTERIOR LAMPS RELAY

NOTE: Interior lamps relay is located in instrument cluster. Interior lamps relay is not serviceable. No additional information is available from manufacturer.

MANIFOLD INTAKE AIR HEATER RELAY

NOTE: Manifold intake air heater relay is located on engine, top, RH side. No additional information is available from manufacturer.

PARK LAMP RELAY

NOTE: Park lamp relay is located in the Vehicle Security Module (VSM). See [Fig. 9](#). Park lamp relay is not serviceable.

REVERSING LAMPS RELAY

NOTE: No information is available from manufacturer.