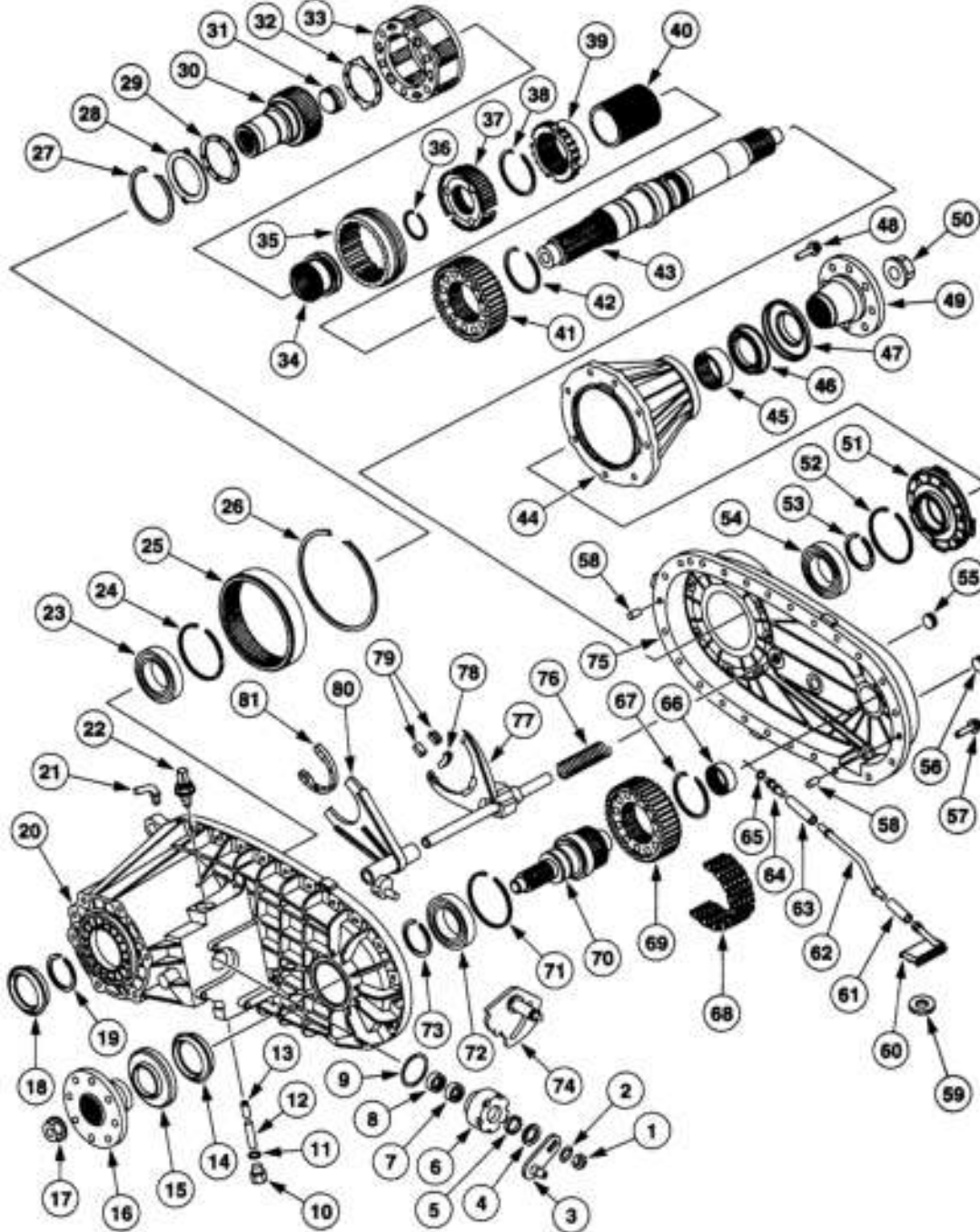


IDENTIFICATION

NOTE: For disassembled view of NV271 transfer case, see Fig. 1 and Fig. 2 . For disassembled view of NV273 transfer case, see Fig. 3 and Fig. 4 .

Mechanical Shift Transfer Case (NV271)



000210879

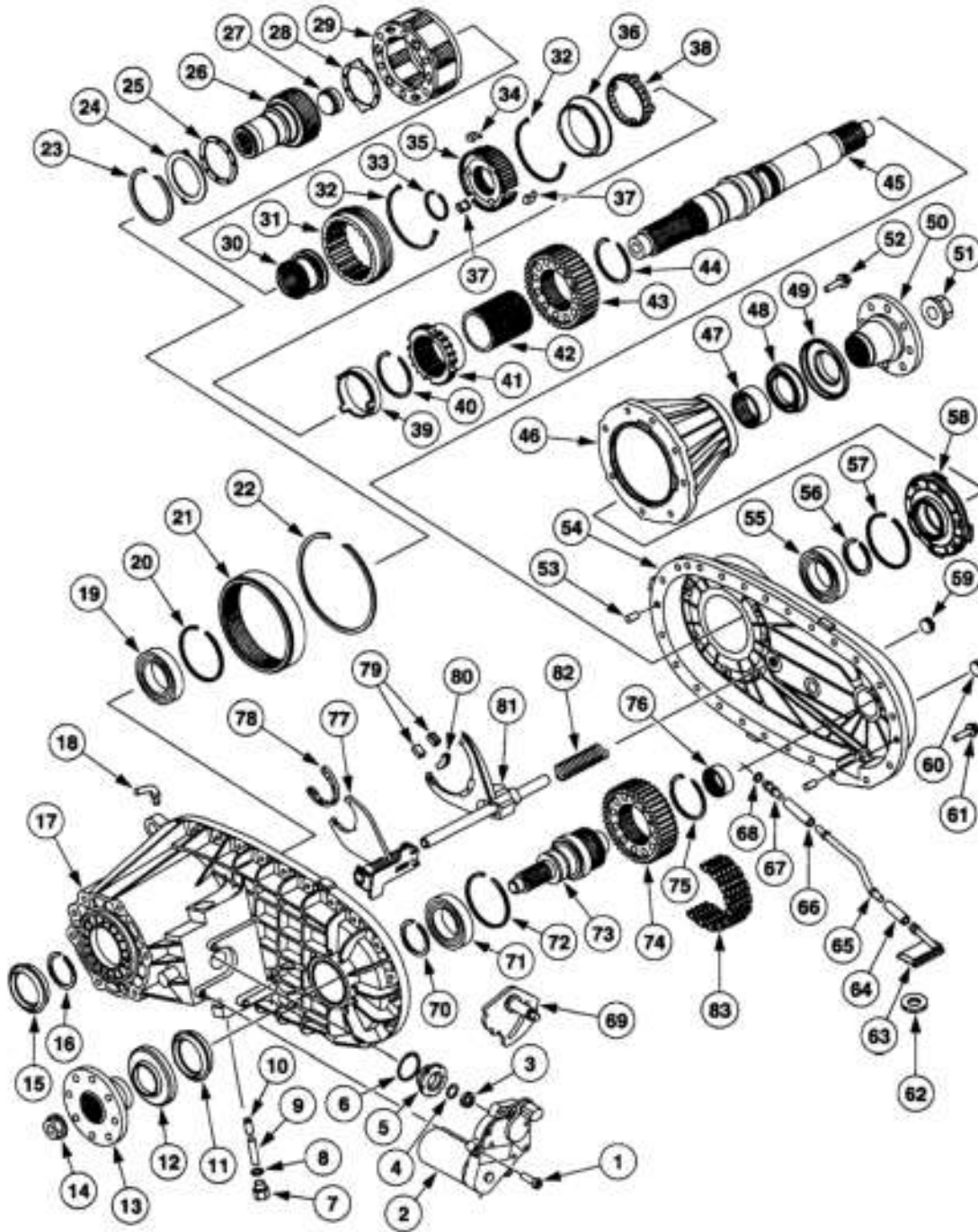
Fig. 1: Identifying Transfer Case Components (NV271 - 1 Of 2)
Courtesy of FORD MOTOR CO.

Item	Part Number	Description
1	7Z114	Locknut
2	7Z111	Washer
3	7B106	Lever assembly
4	7A148	Spacer
5	—	Sector support seal (part of 7E321)
6	—	Sector shaft support (part of 7E321)
7	—	Support bearing (part of 7E321)
8	—	Support bearing (part of 7E321)
9	7Z119	O-ring sector support
10	7L013	Poppet screw
11	—	O-ring seal
12	7219	Spring
13	7233	Poppet
14	7B215	Front output seal
15	7C016	Slinger
16	7B214	Front flange
17	7045	Hex lock nut
18	7B215	Input seal
19	7079	Input bearing retaining ring
20	7005	Front half case
21	7034	Vent
22	7E440	Precision 3 position switch
23	7025	Ball bearing, front input
24	7N281	Front input bearing retaining ring
25	—	Annulus gear (part of 7005)
26	7917	Annulus retaining ring
27	7R516	Lock plate retaining ring
28	7B066	Lock plate
29	7Z118	Front input gear thrust washer
30	7017	Input gear
31	7120	Pilot bearing
32	7Z213	Rear input gear thrust washer
33	7A398	Planetary carrier assembly
34	7100	Range shift sleeve
35	7183	Mode sleeve
36	7064	Hub retaining ring
37	7124	Synchronizer hub
38	7064	Clutch gear retaining ring
39	7C215	Clutch gear

Item	Part Number	Description
40	7W060	Drive sprocket hub
41	7177	Drive sprocket
42	7064	Sprocket retaining ring
43	7061	Mainshaft
44	7085	Rear retainer
45	7118	Needle bearing
46	7B215	Rear output seal
47	7C016	Slinger
48	7A443	Retainer bolt
49	7B214	Rear flange
50	7045	Nut
51	7A149	Oil pump assembly
52	7R141	Retaining ring
53	7030	Retaining ring
54	7015	Ball bearing
55	7A010	Fill plug
56	7A010	Drain plug
57	7A443	Rear case bolt
58	7D362	Dowel bushing
59	7E290	Chip collector magnet
60	7A098	Oil screen
61	7N148	Lower tube connector
62	7A210	Lower oil tube
63	7N148	Upper tube connector
64	7A210	Upper oil tube
65	7288	O-ring seal
66	7127	Needle bearing
67	7064	Sprocket retaining ring
68	7A029	Drive chain
69	7177	Driven sprocket
70	7061	Front output shaft
71	7049	Retaining ring
72	7025	Front oil pump ball bearing
73	7917	Front oil pump retaining ring
74	7F063	Sector assembly
75	7005	Rear case half
76	7219	Mode spring
77	7289	Mode fork assembly
78	7C430	Mode fork center pad
79	7C430	Mode fork end pad
80	7289	Range fork assembly
81	7C430	Range shift fork pad

Fig. 2: Identifying Transfer Case Components (NV271 - 2 Of 2)
 Courtesy of FORD MOTOR CO.

Electric Shift Transfer Case (NV273)



000210877

Fig. 3: Identifying Transfer Case Components (NV273 - 1 Of 2)
Courtesy of FORD MOTOR CO.

Item	Part Number	Description
1	7A443	Bolt
2	7G360	Gearmotor encoder assembly
3	7F337	Plastic retainer
4	7288	O-ring motor seal
5	7W073	Motor adapter
6	7Z119	O-ring support seal
7	7L013	Poppet screw
8	—	O-ring seal
9	7219	Spring
10	7233	Poppet
11	7B215	Front output seal
12	7C016	Slinger
13	7B214	Front flange
14	7045	Hex lock nut
15	7B215	Input seal
16	7079	Input bearing retainer ring
17	7005	Front half case
18	7034	Vent
19	7025	Ball bearing, front input
20	7N281	Front input bearing retaining ring
21	—	Annulus gear (part of 7005)
22	7917	Annulus retaining ring
23	7R516	Lock plate retaining ring
24	7B066	Lock plate
25	7Z118	Front input gear thrust washer
26	7017	Input gear
27	7120	Pilot bearing
28	7Z213	Rear input gear thrust washer
29	7A398	Planetary carrier assembly
30	7100	Range shift sleeve
31	7183	Synchronizer sleeve
32	—	Synchronizer spring (part of 7124)
33	7064	Hub retaining ring
34	7A044	Synchronizer strut
35	7124	Synchronizer hub
36	7107	Outer ring
37	7A044	Synchronizer strut
38	7K317	Middle ring
39	7Z018	Inner ring
40	7064	Clutch gear retaining ring
41	7C215	Clutch gear

Item	Part Number	Description
42	7W060	Drive sprocket hub
43	7177	Drive sprocket
44	7064	Sprocket retaining ring
45	7061	Mainshaft
46	7085	Rear retainer
47	7118	Needle bearing
48	7B215	Rear output seal
49	7C016	Slinger
50	7B214	Rear flange
51	7045	Nut
52	7A443	Retainer bolt
53	7D362	Bushing dowel
54	7005	Rear half case
55	7015	Ball bearing
56	7030	Retaining ring
57	7R141	Retaining ring
58	7A149	Oil pump assembly
59	7A010	Fill plug
60	7A010	Drain plug
61	7A443	Rear case bolt
62	7E290	Chip collector magnet
63	7A098	Oil screen
64	7N148	Lower tube connector
65	7A210	Lower oil tube
66	7N148	Upper tube connector
67	7A210	Upper oil tube
68	7288	O-ring seal
69	7F063	Sector assembly
70	7917	Front oil pump retaining ring
71	7025	Front oil pump ball bearing
72	7049	Retaining ring
73	7061	Front output shaft
74	7177	Driven sprocket
75	7064	Sprocket retaining ring
76	7127	Needle bearing
77	7289	Range fork assembly
78	7C430	Range shift fork pad
79	7C430	Mode fork end pad
80	7C430	Mode fork center pad
81	7289	Mode fork assembly
82	7219	Mode spring
83	7A029	Drive chain

000013818

Fig. 4: Identifying Transfer Case Components (NV273 - 2 Of 2)
 Courtesy of FORD MOTOR CO.