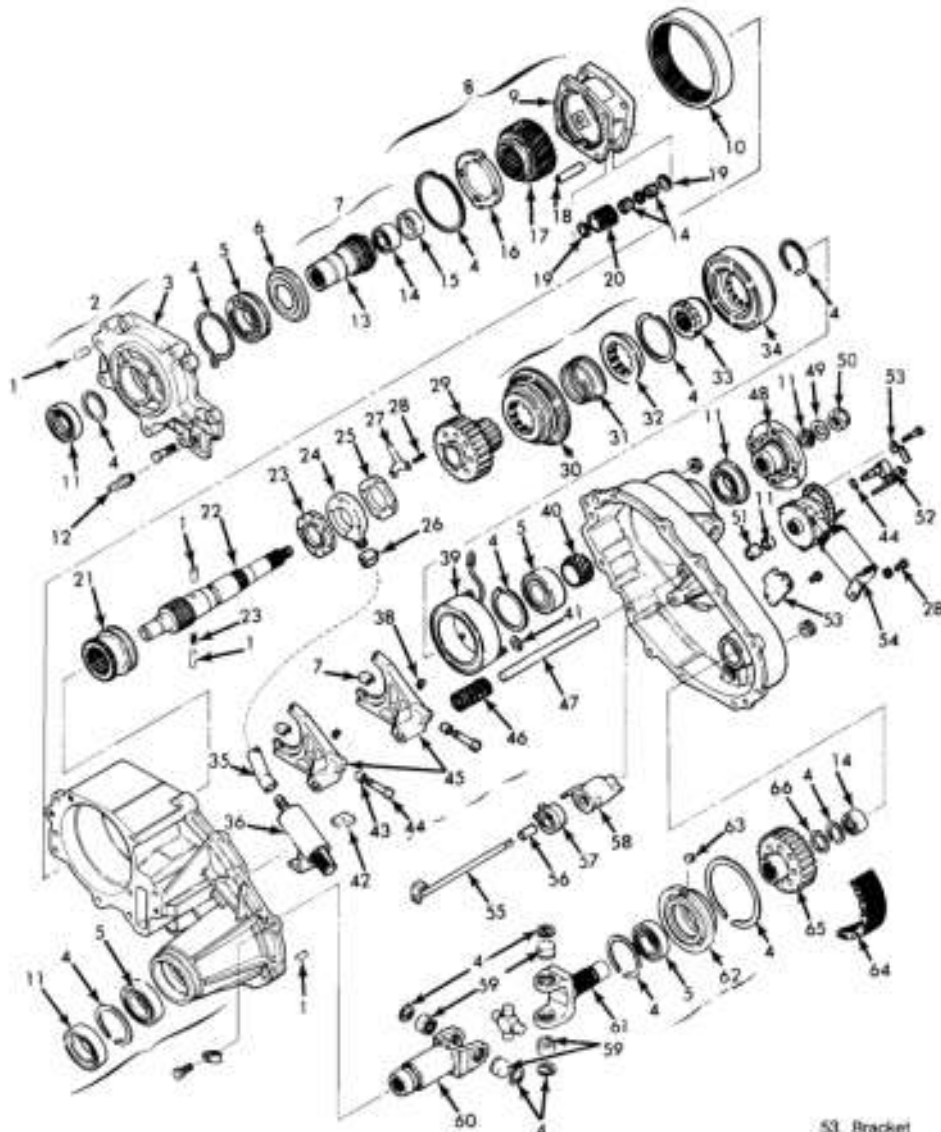


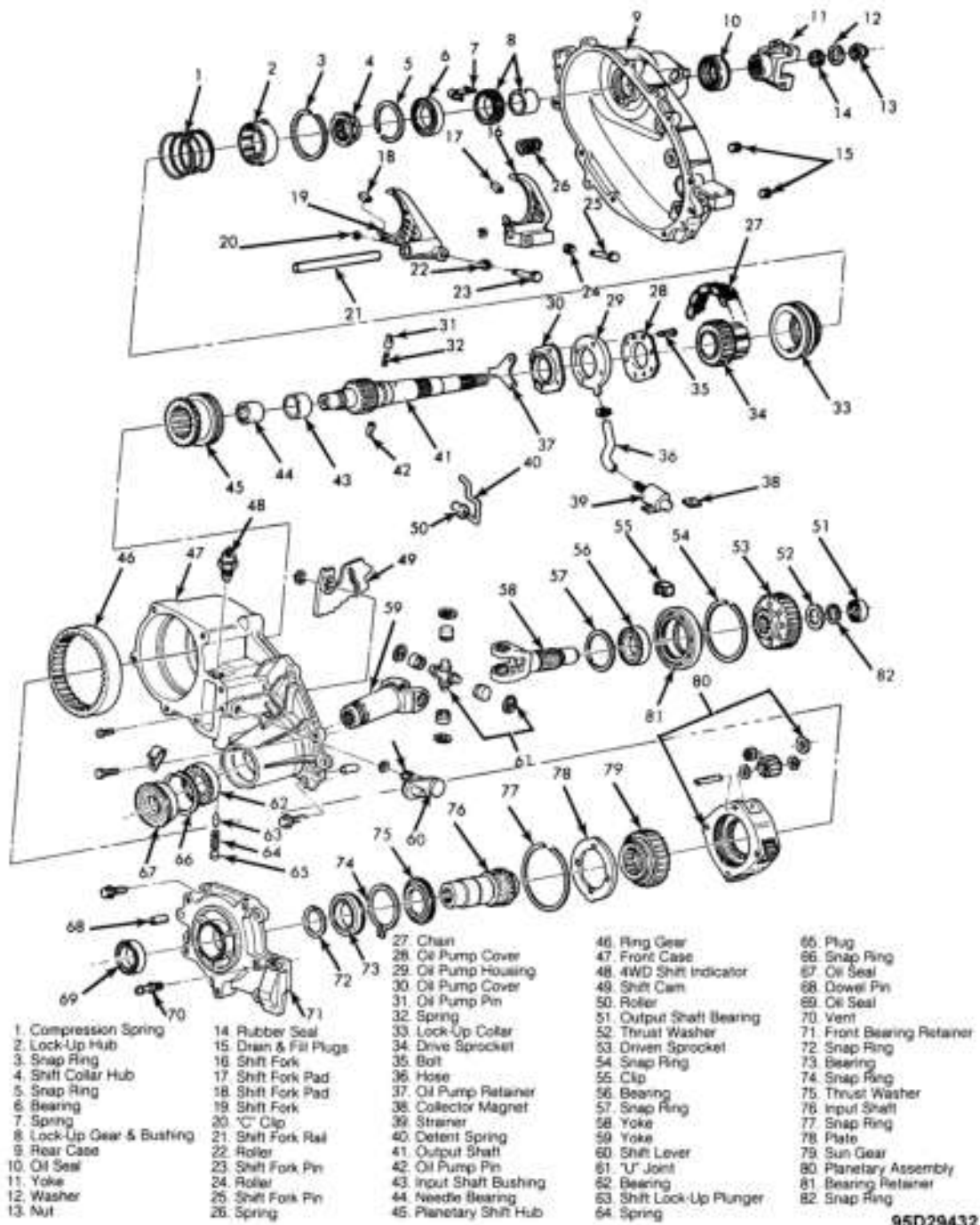
# TRANSFER CASE EXPLODED VIEWS



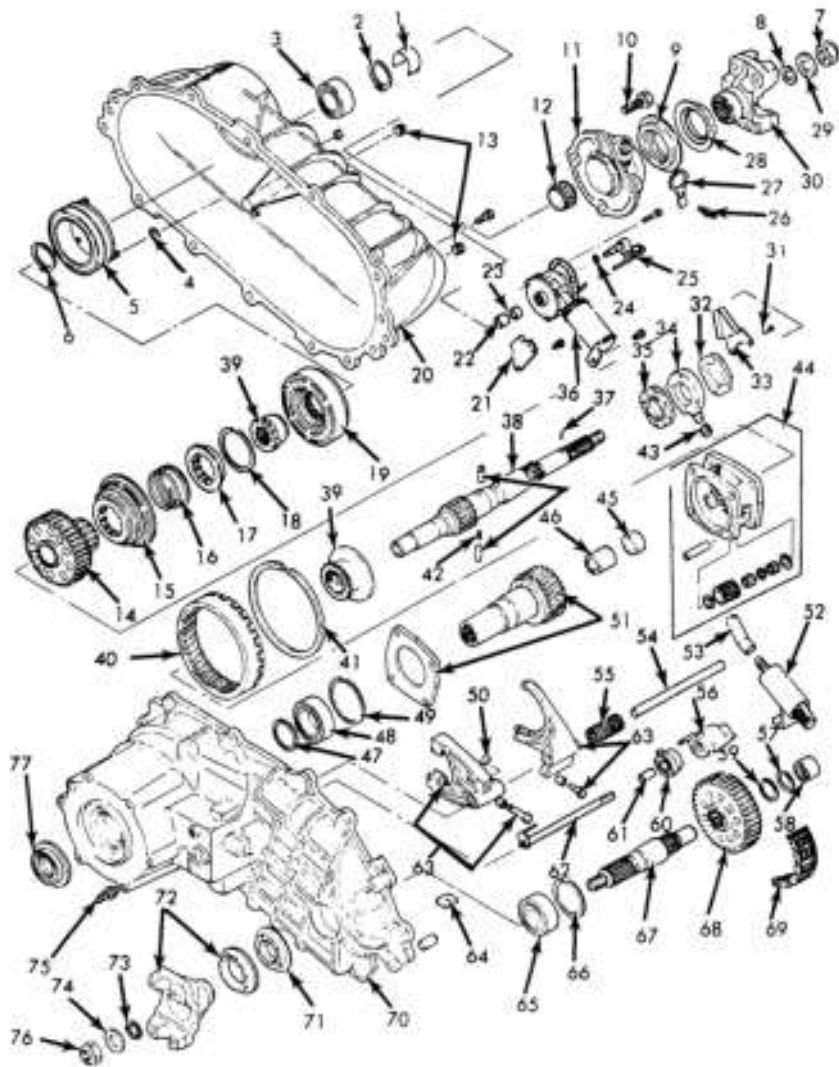
- |                           |                          |                            |                      |                             |
|---------------------------|--------------------------|----------------------------|----------------------|-----------------------------|
| 1. Pin                    | 14. Needle Bearing       | 27. Pump Retainer          | 40. Speedometer Gear | 53. Bracket                 |
| 2. Front Adapter Assembly | 15. Sleeve Bearing       | 28. Bolt                   | 41. "O" Ring         | 54. Electric Motor Assembly |
| 3. Front Adapter          | 16. Carrier Thrust Plate | 29. Drive Sprocket         | 42. Magnet           | 55. Shift Shaft             |
| 4. Snap Ring              | 17. Sun Gear             | 30. 2WD/4WD Lock-Up Collar | 43. Roller Cam       | 56. Spacer                  |
| 5. Bearing                | 18. Planet Pinion Pin    | 31. Sleeve Return Spring   | 44. Shift Fork Pin   | 57. Torsion Spring          |
| 6. Thrust Washer          | 19. Pinion Thrust Washer | 32. Reduction Hub          | 45. Shift Fork       | 58. Electric Shift Cam      |
| 7. Input Shaft Assembly   | 20. Pinion Gear          | 33. Shift Collar Hub       | 46. Spring           | 59. Bearing                 |
| 8. Carrier Assembly       | 21. Reduction Hub        | 34. Clutch Housing         | 47. Shift Rail       | 60. Slip Yoke               |
| 9. Planet Carrier         | 22. Output Shaft         | 35. Hose Coupling          | 48. Companion Flange | 61. Front Output Shaft      |
| 10. Ring Gear             | 23. Front Pump Cover     | 36. Oil Strainer           | 49. Washer           | 62. Bearing Retainer        |
| 11. Oil Seal              | 24. Pump Housing         | 37. Shift Fork Facing      | 50. Nut (Huglock)    | 63. Retainer Cup            |
| 12. Speed Sensor          | 25. Rear Pump Cover      | 38. "C" Ring               | 51. Sleeve           | 64. Drive Chain             |
| 13. Input Shaft           | 26. Hose Clamp           | 39. Clutch Coil            | 52. Speed Sensor     | 65. Drive Sprocket          |
|                           |                          |                            |                      | 66. Spacer                  |

95129429

**Fig. 21: Borg-Warner 1350 Electronic Shift Transfer Case**  
 Courtesy of FORD MOTOR CO.



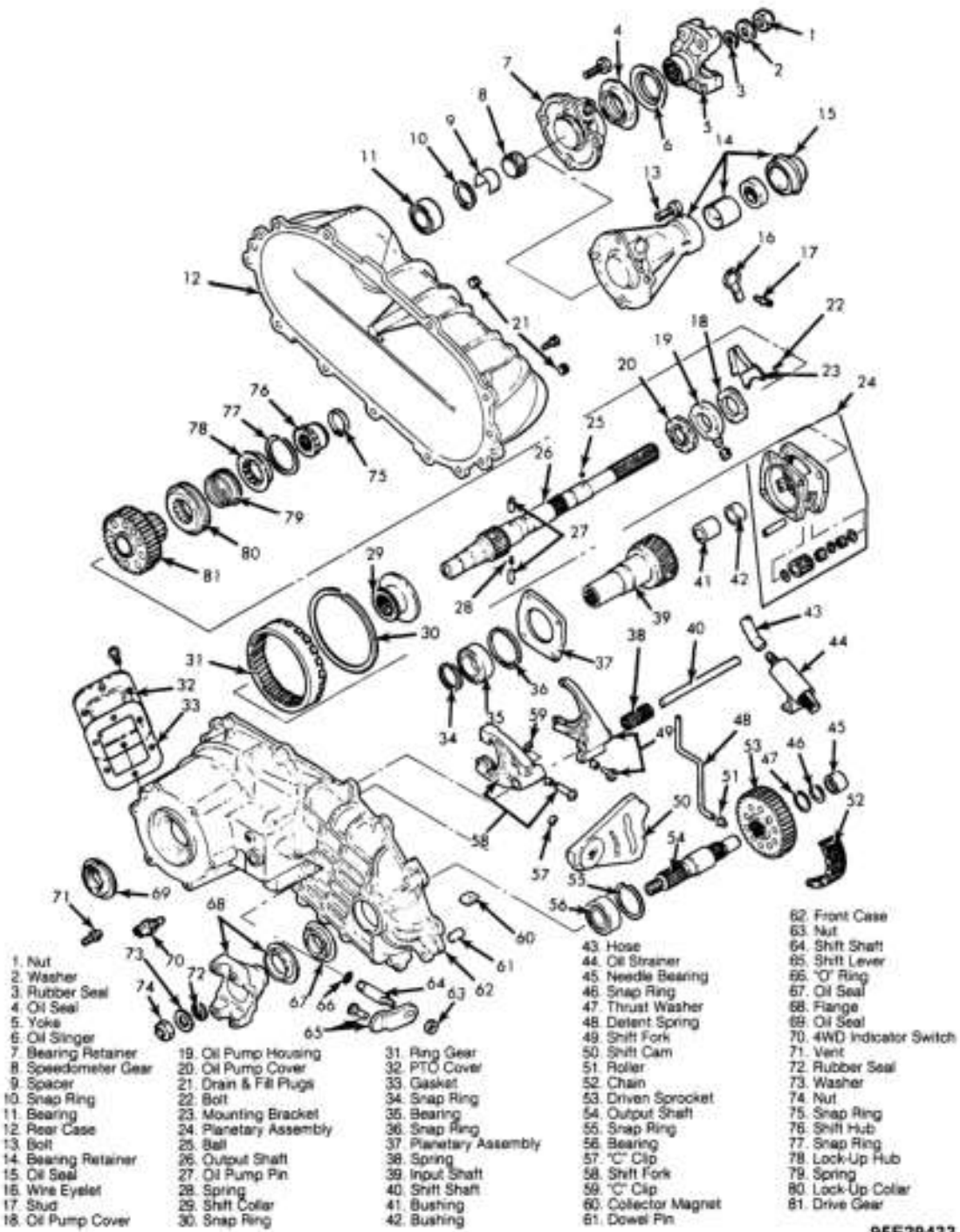
**Fig. 22: Borg-Warner 1350 Manual Shift Transfer Case**  
 Courtesy of FORD MOTOR CO.



- |                        |                       |                        |                      |
|------------------------|-----------------------|------------------------|----------------------|
| 1. Spacer              | 20. Rear Case         | 39. Shift Hub          | 58. Needle Bearing   |
| 2. Snap Ring           | 21. Mounting Bracket  | 40. Ring Gear          | 59. Thrust Washer    |
| 3. Bearing             | 22. Bushing           | 41. Snap Ring          | 60. Spring           |
| 4. "O" Ring            | 23. Seal              | 42. Spring             | 61. Bushing          |
| 5. Clutch Coil         | 24. Seal              | 43. Oil Pump Pins      | 62. Shift Shaft      |
| 6. Snap Ring           | 25. Speed Sensor      | 44. Planetary Assembly | 63. Shift Fork       |
| 7. Nut                 | 26. Stud              | 45. Bushing            | 64. Collector Magnet |
| 8. Rubber Seal         | 27. Eyelet            | 46. Bushing            | 65. Bearing          |
| 9. Oil Seal            | 28. Oil Stinger       | 47. Snap Ring          | 66. Snap Ring        |
| 10. Bolt               | 29. Washer            | 48. Bearing            | 67. Output Shaft     |
| 11. Bearing Retainer   | 30. Yoke              | 49. Snap Ring          | 68. Driven Gear      |
| 12. Speedometer Gear   | 31. Bolt              | 50. "C" Clip           | 69. Chain            |
| 13. Drain & Fill Plugs | 32. Oil Pump Cover    | 51. Input Shaft        | 70. Front Case       |
| 14. Drive Gear         | 33. Oil Pump Retainer | 52. Oil Strainer       | 71. Seal             |
| 15. Lock-Up Collar     | 34. Oil Pump Housing  | 53. Hose               | 72. Yoke & Stinger   |
| 16. Compression Spring | 35. Oil Pump Cover    | 54. Shift Rail         | 73. Rubber Seal      |
| 17. Lock-Up Hub        | 36. Shift Motor       | 55. Spring             | 74. Washer           |
| 18. Snap Ring          | 37. Ball              | 56. Shift Cam          | 75. Vent             |
| 19. Clutch Hub         | 38. Output Shaft      | 57. Snap Ring          | 76. Nut              |

95F29434

**Fig. 23: Borg-Warner 1356 Electronic Shift Transfer Case**  
 Courtesy of FORD MOTOR CO.



**Fig. 24: Borg-Warner 1356 Manual Shift Transfer Case**  
 Courtesy of FORD MOTOR CO.