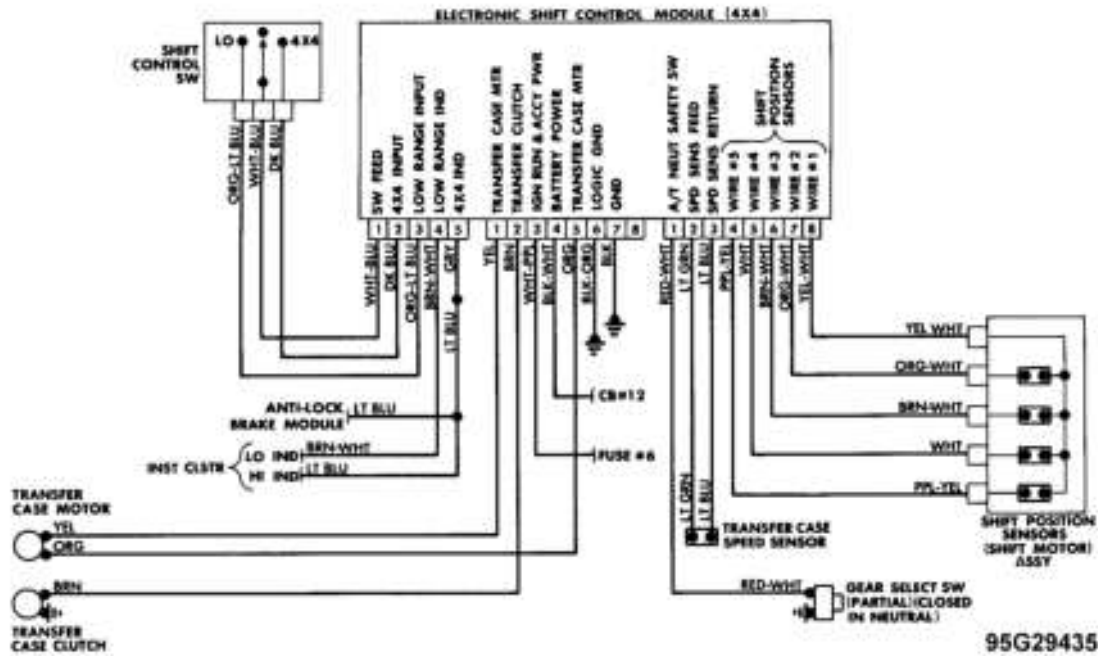
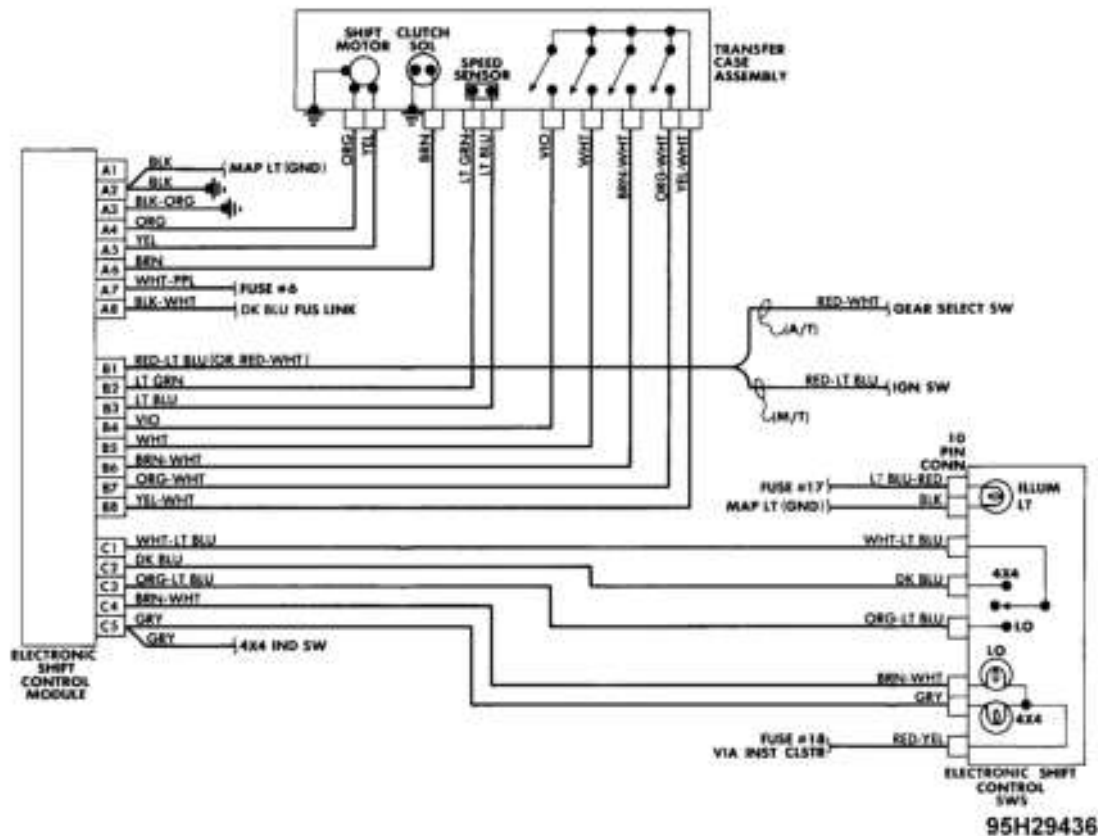


# WIRING DIAGRAMS



**Fig. 25: Shift Transfer Case Schematic (Electronic shift models only - Bronco)**



**Fig. 26: Transfer Case Wiring Diagram (Electronic shift models only - Bronco II & Ranger)**