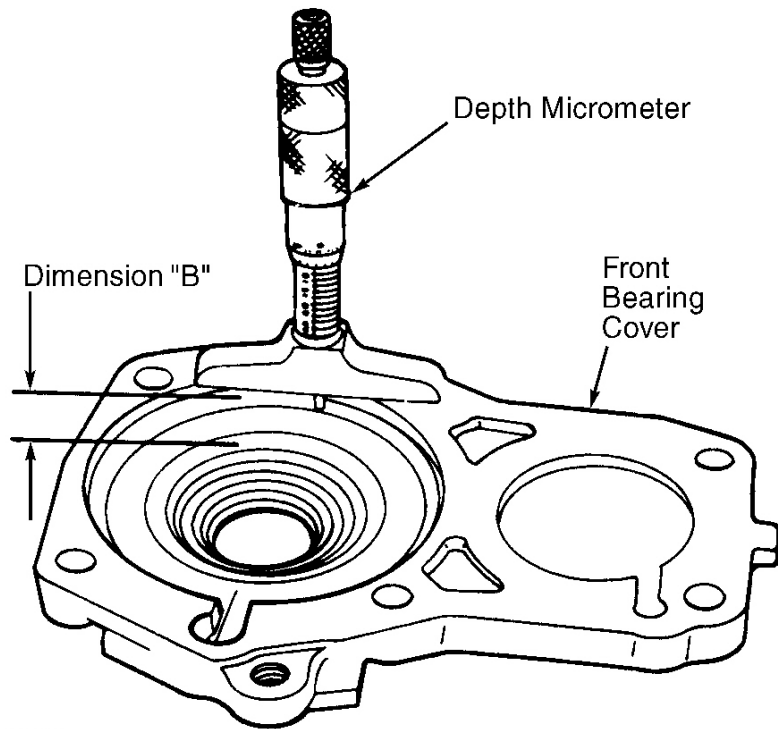
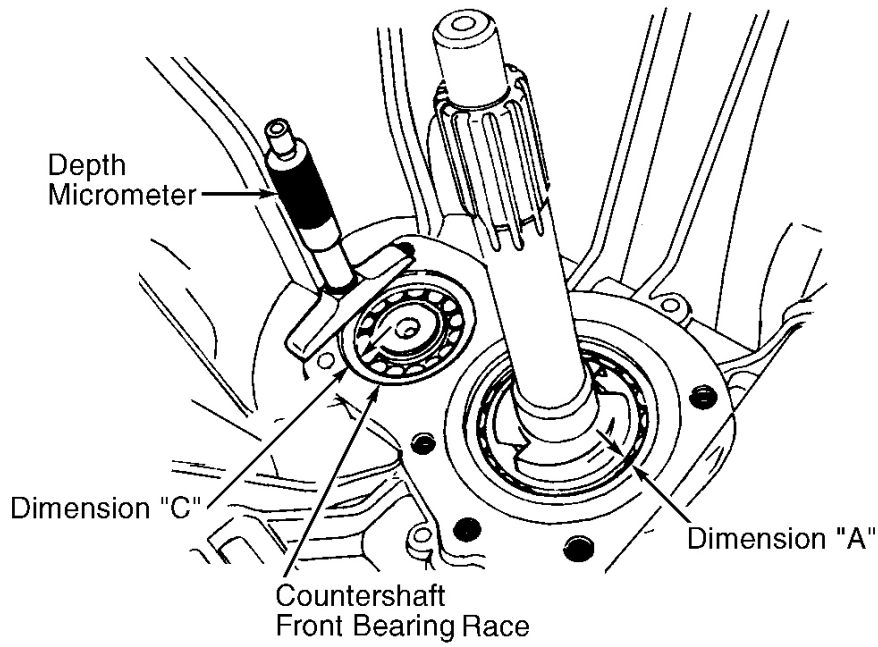


INPUT SHAFT END PLAY

1. Position transmission with clutch housing upward. Ensure input shaft bearing is squarely positioned in bore. Using appropriate seal replacer, install front cover oil baffle, if removed. Install countershaft front bearing by hand.
2. Using depth micrometer, measure height of input shaft bearing above transmission case, record as Dimension "A". Measure depth of input shaft bearing retainer bore, record as Dimension "B". See **Fig. 13**.
3. Calculate input shaft end play as follows: $\text{Dimension "B"} - (\text{Dimension "A"} + \text{shim thickness}) = .002\text{-.006"} (.05\text{-.15 mm})$. Select shim to maintain end play within specified limit. See **INPUT SHAFT SHIM SELECTION** table.
4. Measure depth of countershaft bearing below transmission case, record as Dimension "C". Measure depth of countershaft bearing retainer bore, record as Dimension "D". See **Fig. 13**.
5. Calculate countershaft end play as follows: $\text{Dimension "C"} + (\text{Dimension "D"} + \text{shim thickness}) = .006\text{-.010"} (.15\text{-.25 mm})$. Select shim to maintain end play within specified limit. See **COUNTERSHAFT SPACER SELECTION** table.



94A39099

Fig. 13: Determining End Play Shim Thickness
 Courtesy of FORD MOTOR CO.

INPUT SHAFT SHIM SELECTION

Part No.	In. (mm)
M5OD-R1	
E8TZ-7029-C	.106 (2.7)
E8TZ-7029-D	.110 (2.8)

E8TZ-7029-E	.114 (2.9)
E8TZ-7029-F	.118 (3.0)
E8TZ-7029-G	.122 (3.1)
E8TZ-7029-H	.125 (3.2)
E8TZ-7029-J	.129 (3.3)
E8TZ-7029-K	.133 (3.4)
E8TZ-7029-L	.137 (3.5)
E8TZ-7029-M	.141 (3.6)
E8TZ-7029-N	.145 (3.7)
E8TZ-7029-P	.149 (3.8)
E8TZ-7029-R	.153 (3.9)
E8TZ-7029-A	.157 (4.0)
E8TZ-7029-B	.161 (4.1)
M5OD-R2	
E8TZ-7029-FA	.0551 (1.4)
E8TZ-7029-GA	.0590 (1.5)
E8TZ-7029-HA	.0629 (1.6)
E8TZ-7029-JA	.0669 (1.7)
E8TZ-7029-S	.0708 (1.8)
E8TZ-7029-T	.0748 (1.9)
E8TZ-7029-U	.0787 (2.0)
E8TZ-7029-V	.0826 (2.1)
E8TZ-7029-W	.0866 (2.2)
E8TZ-7029-X	.0905 (2.3)
E8TZ-7029-Y	.0944 (2.4)
E8TZ-7029-Z	.0984 (2.5)
E8TZ-7029-AA	.1023 (2.6)
E8TZ-7029-BA	.1062 (2.7)
E8TZ-7029-CA	.1102 (2.8)
E8TZ-7029-DA	.1141 (2.9)
E8TZ-7029-EA	.1181 (3.0)

COUNTERSHAFT SPACER SELECTION

Part No.	In. (mm)
M5OD-R1	
E8TZ-7C434-A	.090 (2.3)
E8TZ-7C434-B	.094 (2.4)
E8TZ-7C434-C	.098 (2.5)
E8TZ-7C434-D	.102 (2.6)
E8TZ-7C434-E	.106 (2.7)
E8TZ-7C434-F	.110 (2.8)
E8TZ-7C434-G	.114 (2.9)
E8TZ-7C434-H	.118 (3.0)
E8TZ-7C434-J	.122 (3.1)

M50D-R2

E8TZ-7C434-K	.122 (3.1)
E8TZ-7C434-L	.125 (3.2)
E8TZ-7C434-M	.129 (3.3)
E8TZ-7C434-N	.133 (3.4)
E8TZ-7C434-P	.137 (3.5)
E8TZ-7C434-R	.141 (3.6)
E8TZ-7C434-S	.145 (3.7)
E8TZ-7C434-T	.118 (3.0)