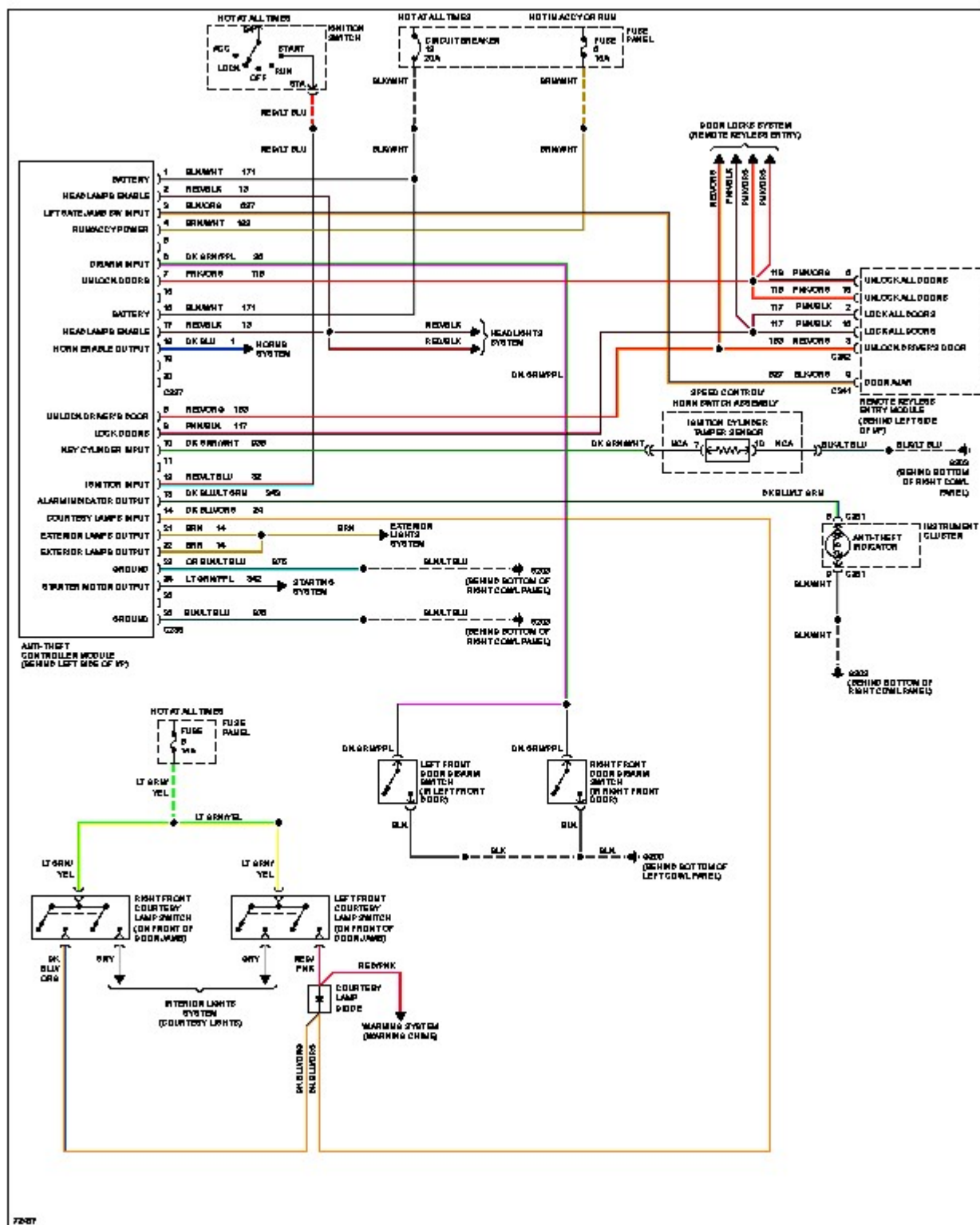


# ANTI-THEFT



**Fig. 4: Anti-theft Circuit**