

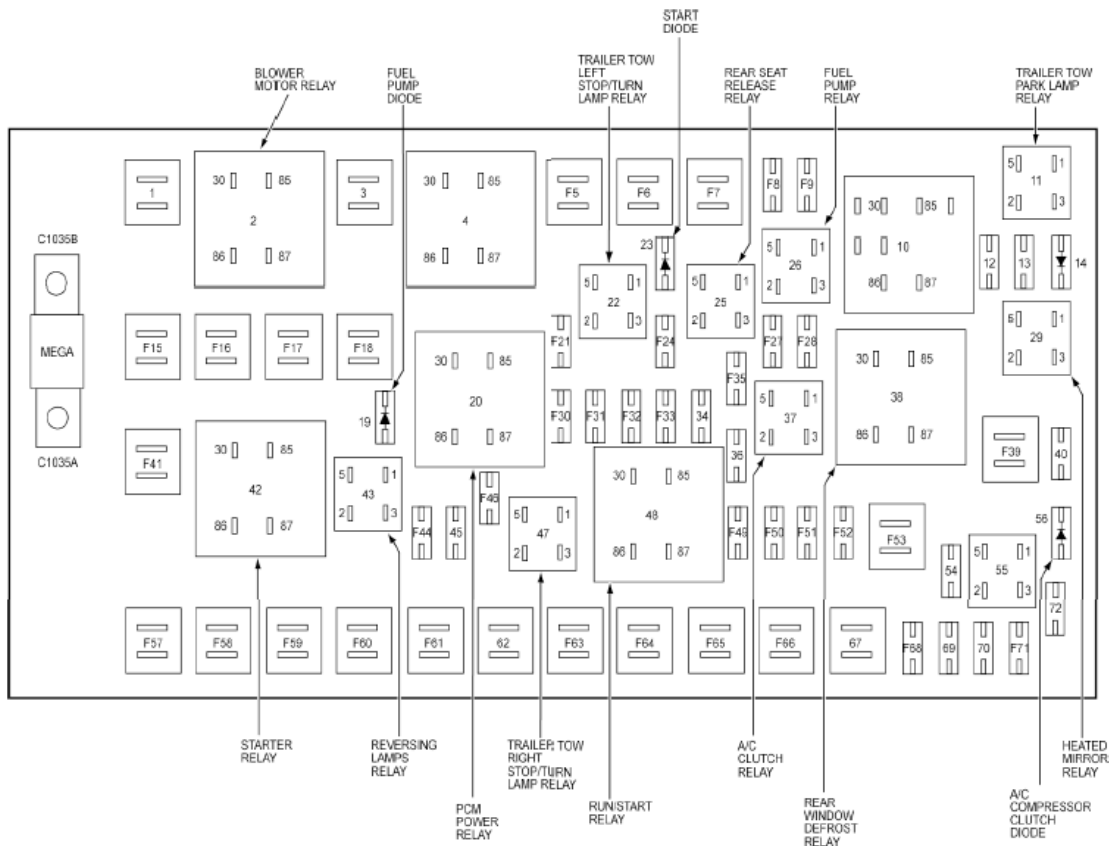
## Fuse & Relay Information - Edge & MKX

### IDENTIFICATION

**CAUTION:** When battery is disconnected, vehicle computer and memory systems may lose memory data. Driveability problems may exist until computer systems have completed a relearn cycle. See **COMPUTER RELEARN PROCEDURES** article in **GENERAL INFORMATION** before disconnecting battery.

### BATTERY JUNCTION BOX (BJB)

**NOTE:** For component location, see appropriate **ELECTRICAL COMPONENT LOCATIONS** article.



**Fig. 1: Battery Junction Box Components**  
 Courtesy of FORD MOTOR CO.

### BATTERY JUNCTION BOX COMPONENTS LEGEND

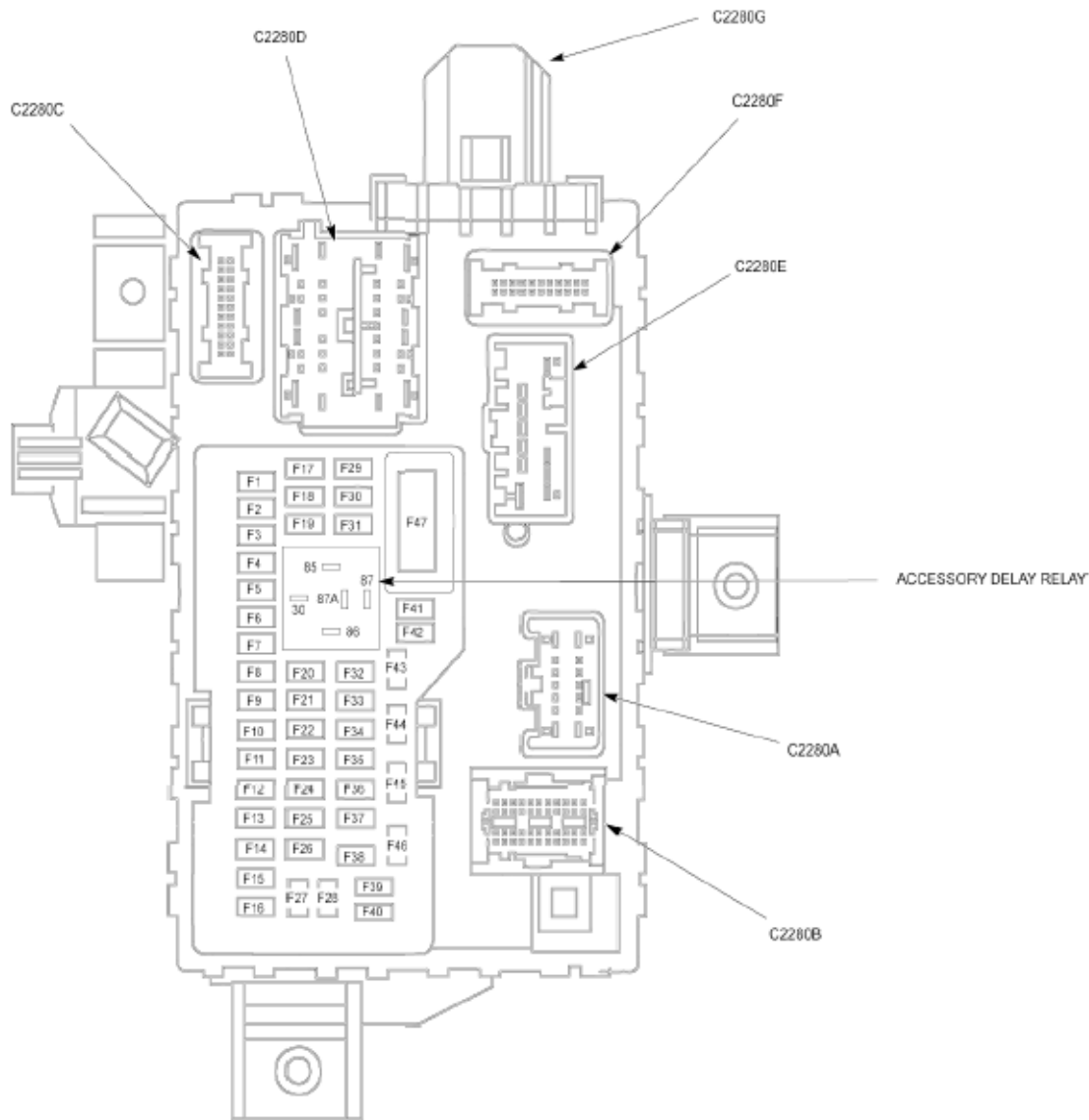
|  |  |  |
|--|--|--|
|  |  |  |
|--|--|--|

| Fuse/Relay Location | Fuse Amp Rating    | Battery Junction Box Description  |
|---------------------|--------------------|---|
| Mega                | 100                |   |
| F1                  | -                  | Not used  |
| F3                  | -                  | Not used  |
| F5                  | 60 <sup>(1)</sup>  | Cooling fan module - without trailer tow  |
|                     | 40 <sup>(1)</sup>  | Cooling fan module - with trailer tow   |
| F6                  | 40 <sup>(1)</sup>  | Cooling fan module - with trailer tow   |
| F7                  | 30 <sup>(1)</sup>  | Heated seat module, left rear   |
| F8                  | 10 <sup>(2)</sup>  | Generator   |
| F9                  | 20 <sup>(2)</sup>  | Trailer tow park lamp relay   |
| F12                 | -                  | Not used  |
| F15                 | 40 <sup>(1)</sup>  | Anti-lock Brake System (ABS) module   |
| F16                 | 30 <sup>(1)</sup>  | Dual Climate controlled Seat Module (DCSM). Heated seat module passenger side front   |
| F17                 | 20 <sup>(1)</sup>  | Power point, instrument panel - Edge, Power point, console 1 - MKX  |
| F18                 | 20 <sup>(1)</sup>  | Roof opening panel motor assembly   |
| F21                 | 7.5 <sup>(2)</sup> | EVAP canister vent control solenoid. Powertrain Control Module (PCM)  |
| F23                 | -                  | Not used  |
| F24                 | 10 <sup>(2)</sup>  | Trailer tow left stop/turn lamp relay   |
| F27                 | 10 <sup>(2)</sup>  | Rear seat release relay   |
| F28                 | 15 <sup>(2)</sup>  | Heated mirror relay   |
| F30                 | 15 <sup>(2)</sup>  | Powertrain Control Module (PCM)   |
| F31                 | 10 <sup>(2)</sup>  | Not Used  |
| F32                 | 10 <sup>(2)</sup>  | Brake Pedal Position (BPP) switch. Mass Air Flow/Intake Air Temperature (MAF/IAT) sensor. EVAP canister purge valve. Variable Camshaft Timing (VCT) valves. Heated oxygen sensors |
| F33                 | 15 <sup>(2)</sup>  | Coil on Plugs, Ignition transformer capacitors - early production   |
| F34                 | -                  | Not used  |
| F35                 | 10 <sup>(2)</sup>  | A/C clutch relay  |
| F36                 | -                  | Not used  |
| F39                 | 40 <sup>(1)</sup>  | Rear window defrost grid  |
| F40                 | -                  | Not used  |
| F41                 | 30 <sup>(1)</sup>  | Starter relay   |
| F44                 | 10 <sup>(2)</sup>  | Auto-dimming interior mirror, Reversing lamps   |
| F45                 | -                  | Not used  |
| F46                 | 10 <sup>(2)</sup>  | Trailer tow right stop/turn lamp relay  |
|                     |                    |   |

|                    |                   |  |
|--------------------|-------------------|--|
| F49                | 10 <sup>(2)</sup> | Powertrain Control Module (PCM)  |
| F50                | 10 <sup>(2)</sup> | Anti-lock Brake System (ABS) module, ABS test connector                          |
| F51                | 5 <sup>(2)</sup>  | Headlamp, left-with adaptive headlamps   |
| F52                | 5 <sup>(2)</sup>  | Fuel pump relay  |
| F53                | 30 <sup>(1)</sup> | Smart Junction Box (SJB) - F29, F30, F31, F32, F33, F34, F35, F36, F37, F46      |
| F57                | 40 <sup>(1)</sup> | Anti-lock Brake System (ABS) module, ABS test connector                          |
| F58                | 30 <sup>(1)</sup> | Smart wiper module   |
| F59                | 30 <sup>(1)</sup> | Liftgate/Trunk Module (LTM)  |
| F50                | 30 <sup>(1)</sup> | Driver Seat Module (DSM) - with memory, Power seat switch, left - without memory |
| F61                | 30 <sup>(1)</sup> | Power seat switch, right   |
| F62                | -                 | Not used   |
| F63                | 40 <sup>(1)</sup> | Blower motor relay   |
| F64                | 20 <sup>(1)</sup> | Power point console 2  |
| F65                | 20 <sup>(1)</sup> | Power point console, rear  |
| F66                | 20 <sup>(1)</sup> | Power point, cargo area  |
| F67                | -                 | Not used   |
| F68                | 15 <sup>(2)</sup> | Fuel pump relay  |
| F69                | -                 | Not used   |
| F70                | -                 | Not used   |
| F71                | 10 <sup>(2)</sup> | Brake Pedal Position (BPP) switch  |
| F72                | -                 | Not used   |
| (1) Cartridge fuse |                   |  |
| (2) Mini fuse      |                   |  |

### SMART JUNCTION BOX (SJB)

**NOTE:** For component location, see appropriate **ELECTRICAL COMPONENT LOCATIONS** article.



**Fig. 2: Smart Junction Box Components**  
 Courtesy of FORD MOTOR CO.

**SMART JUNCTION BOX COMPONENTS LEGEND**

| Fuse/Relay Location | Fuse Amp Rating | Smart Junction Box Description  |
|---------------------|-----------------|---|
| F1                  | 30              | Power window motor, passenger side front - MKX  |
| F2                  | 15              | Not used  |
| F3                  | 15              | Rear Entertainment Module (RETM) - with DVD rear entertainment center, Accessory Protocol Interface Module (APIM) - with SYNC |
| F4                  | 30              | Power window motor, driver side front   |
| F5                  | 10              | Keyless entry keypad, Rear seat release relay, Floor shifter  |
|                     |                 |   |

|     |     |  |
|-----|-----|--|
| F6  | 20  | Rear park/stop/turn lamps. Trailer tow left stop/turn lamp relay, Trailer tow right stop/turn lamp relay, Front park/turn lamps - Edge, Headlamps - MKX  |
| F7  | 10  | Low beam lamp, left front - Edge, Headlamp, left - MKX   |
| F8  | 10  | Low beam lamp, right front - Edge, Headlamp, right - MKX   |
| F9  | 15  | Cargo lamp, Overhead console, Interior lamps   |
| F10 | 15  | Exterior rear view mirrors, Floor shifter, Message center switch, Hazard/PAD/Traction switch, Headlamp switch, HVAC module, EMTC - with manual a/c, Steering wheel switches, Roof opening panel switch, Window adjust switches, Seat heater switches, Door lock switches, Memory set switch, Power liftgate release switch |
| F11 | 10  | All Wheel Drive (AWD) module   |
| F12 | 7.5 | Exterior rear view mirror switch, Driver Seat Module (DSM), Left power seat switch   |
| F13 | 5   | Satellite Digital Audio Receiver System (SDARS) module   |
| F14 | 10  | Liftgate/Trunk Module (LTM)  |
| F15 | 10  | HVAC module, EMTC-with manual a/c, HVAC module, DATC - with automatic a/c  |
| F16 | 15  | Not used   |
| F17 | 20  | Door lock actuators, Roof opening panel motor assembly, Power window motors, Liftgate ajar switch - without power liftgate, Liftgate/Trunk Module (LTM)  |
| F18 | 20  | Audio Digital Signal Processing (DSP) module   |
| F19 | 25  | Rear window wiper motor  |
| F20 | 15  | Data Link Connector (DLC)  |
| F21 | 15  | Headlamp switch, Fog lamps   |
| F22 | 15  | Side lamps, Front park/turn lamps - Edge, Headlamps - MKX, Trailer tow park lamp relay, Rear park/stop/turn lamps, Rear marker lamps, License lamps/liftgate release switch - Edge, License plate lamps - MKX Illuminated liftgate applique - MKX  |
| F23 | 15  | High beam lamps - Edge, Headlamps - MKX  |
| F24 | 20  | Horn   |
| F25 | 10  | Vanity mirror lamps, Overhead console, Interior lamps  |
| F26 | 10  | Instrument Cluster (C)   |
| F27 | 20  | Ignition switch  |
| F28 | 5   | Audio Control Module (ACM)   |
| F29 | 5   | Instrument Cluster (C)   |
| F30 | 5   | Floor shifter  |
| F31 | 10  | Not used   |
| F32 | 10  | Not used   |
| F33 | 10  | Not used   |
| F34 | 5   | Steering Angle Sensor Module (SASM)  |
| F35 | 10  | All Wheel Drive (AWD) module, Parking Aid Module (PAM), Stability control sensor cluster, Heated seat modules  |
|     |     |  |

|     |        |  |
|-----|--------|--|
| F36 | 5      | Passive anti-theft transceiver   |
| F37 | 10     | Air inlet door actuator, HVAC module, EMTC - with manual a/c, HVAC module, DATC - with automatic a/c   |
| F38 | 20     | Radio amplifier, Audio Digital Signal Processing (DSP) module  |
| F39 | 20     | Audio unit   |
| F40 | 20     | Not used   |
| F41 | 15     | Audio Control Module (ACM), Roof opening panel, Door lock switches Power window motors, Master window adjust switch, Auto-dimming interior mirror unit |
| F42 | 10     | Not used   |
| F43 | 10     | Rear window wiper motor  |
| F44 | 10     | Not used   |
| F45 | 5      | Smart wiper module, Blower motor relay, Rear window defrost relay, Heated mirror relay   |
| F46 | 7.5    | Restraints Control Module (RCM), Hazard/Pad/Traction switch, Occupant Classification System Module (OCSM)  |
| F47 | 30c.b. | Master window adjust switch  |