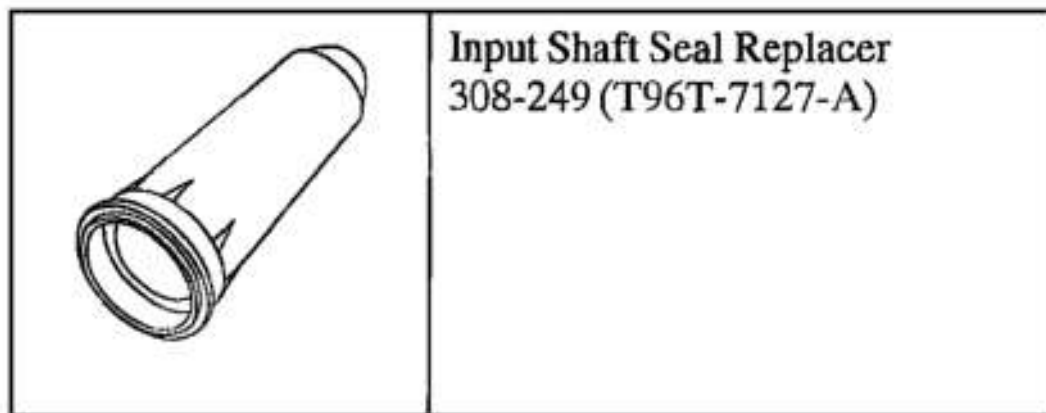


## IN-VEHICLE REPAIR

### SEAL - OIL

#### Special Tool(s)



G02148920

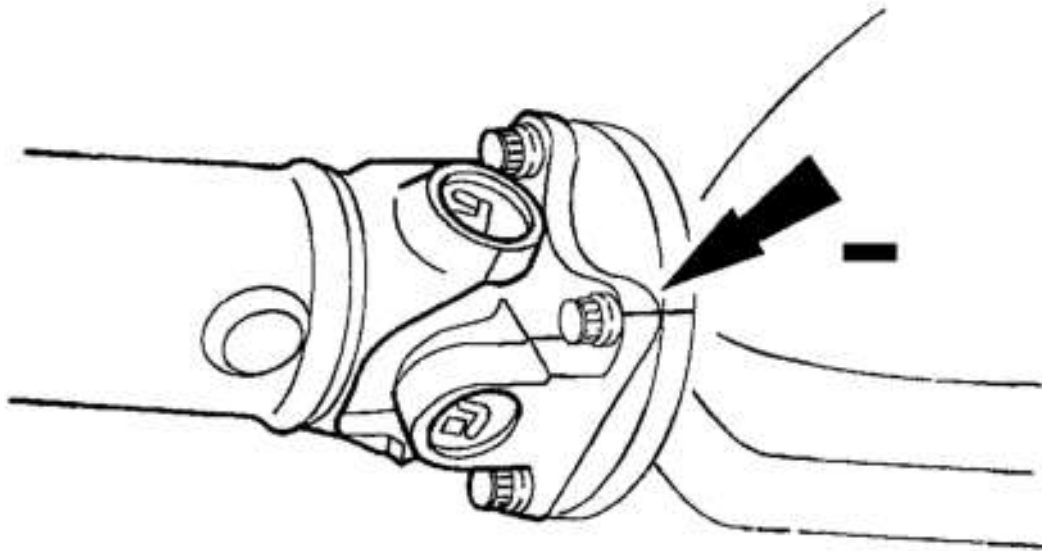
**Fig. 3: Special Tool(s)**

#### Removal

**WARNING:** The electrical power to the air suspension system must be shut off prior to hoisting, jacking or towing an air suspension vehicle. This can be accomplished by turning off the air suspension switch located in the RH kick panel area. Failure to do so can result in unexpected inflation or deflation of the air springs which can result in shifting of the vehicle during these operations.

1. Raise and support vehicle.

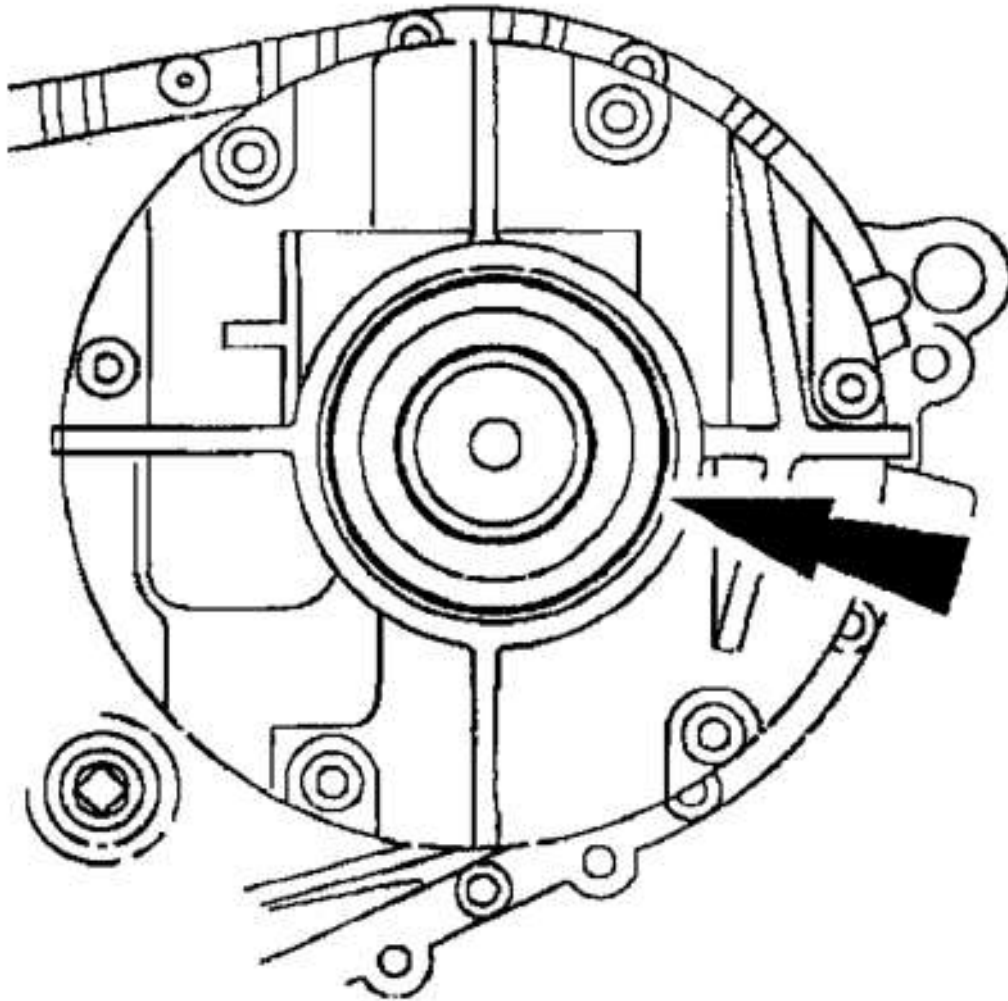
**NOTE:** Index-mark the rear driveshaft yoke and pinion flange to maintain initial driveshaft balance during installation.



G02148921

**Fig. 4: Removing Rear Driveshaft**

2. Remove the rear driveshaft (4602).
3. Using a suitable tool, remove the oil seal.

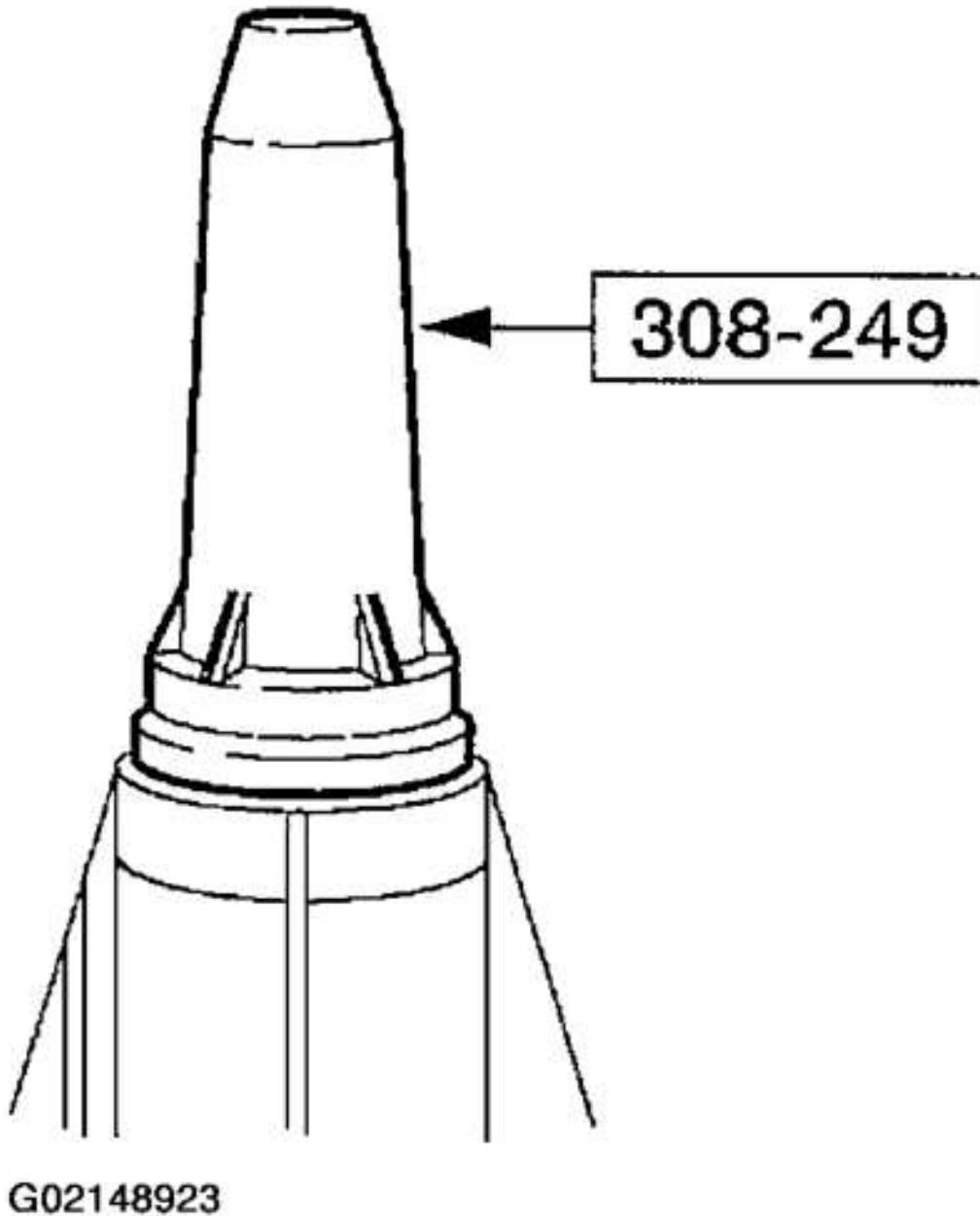


G02148922

**Fig. 5: Removing Oil Seal**

**Installation**

1. To install, reverse the removal procedure.
  - Using the special tool, install the oil seal.



**Fig. 6: Installing Oil Seal**

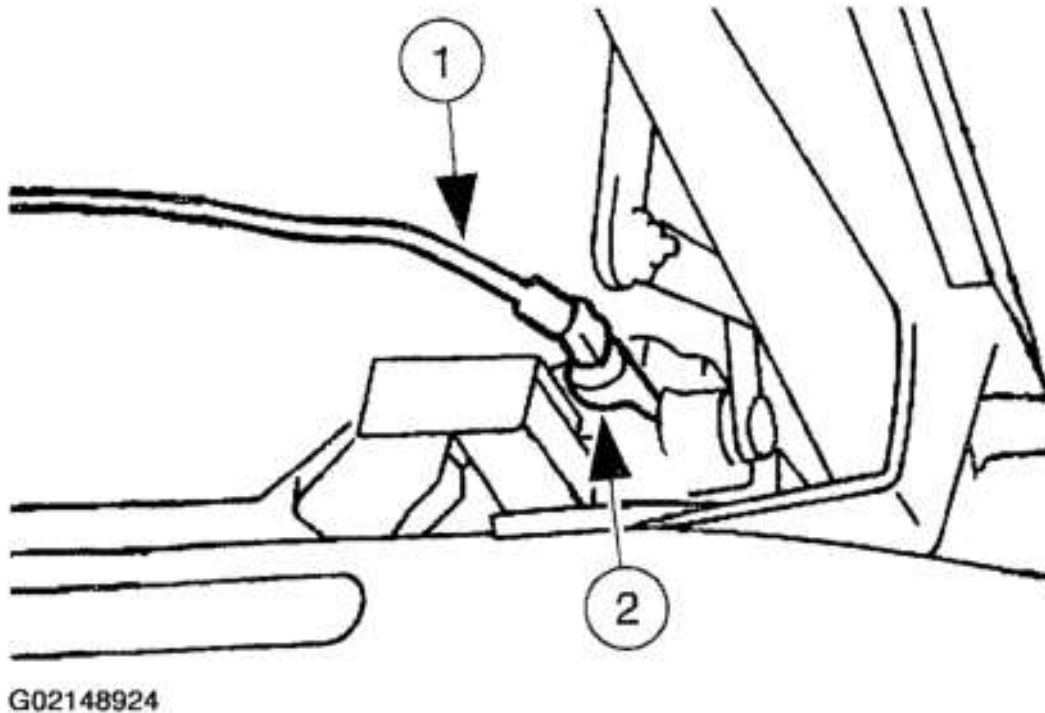
**SHIFT SWITCH - 4WD INDICATOR**

**Removal**

**WARNING:** The electrical power to the air suspension system must be shut off prior to hoisting, jacking or towing an air suspension vehicle. This can be accomplished by turning off the air suspension

switch located in the RH kick panel area. Failure to do so can result in unexpected inflation or deflation of the air springs which can result in shifting of the vehicle during these operations.

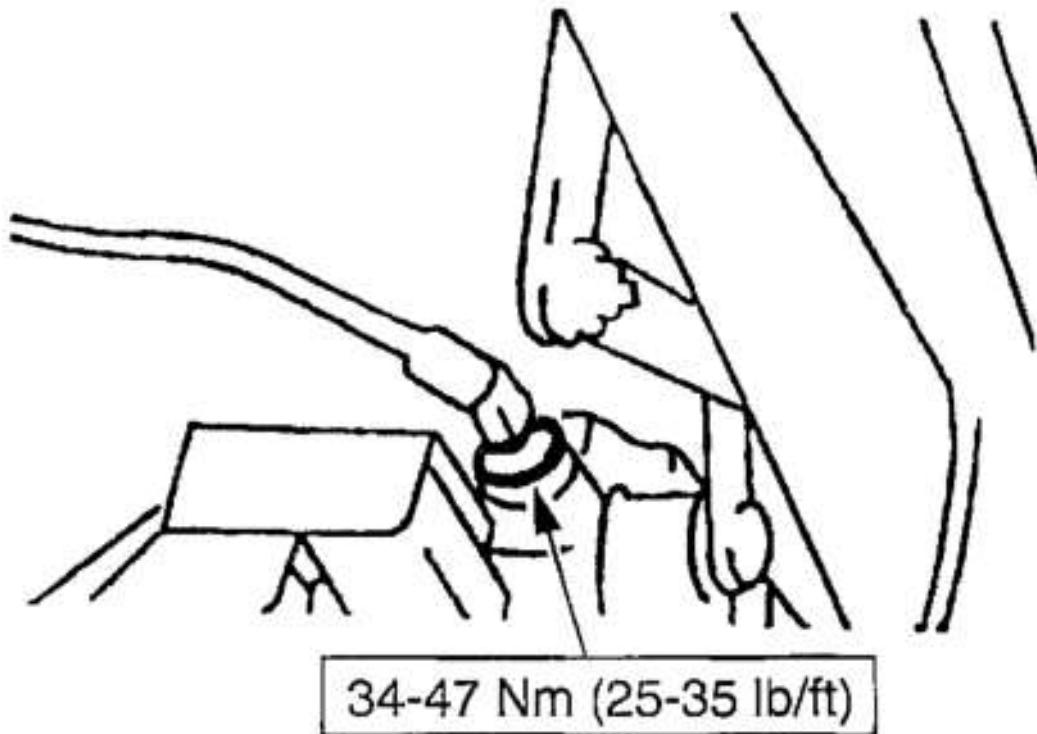
1. Raise and support the vehicle.
2. Remove the 4WD indicator switch.
  1. Disconnect the 4WD indicator switch electrical connector.
  2. Remove the 4WD indicator switch.



**Fig. 7: Removing 4WD Indicator Switch**

#### Installation

**NOTE:** If equipped with air suspension, reactivate the system by turning on the air suspension switch.



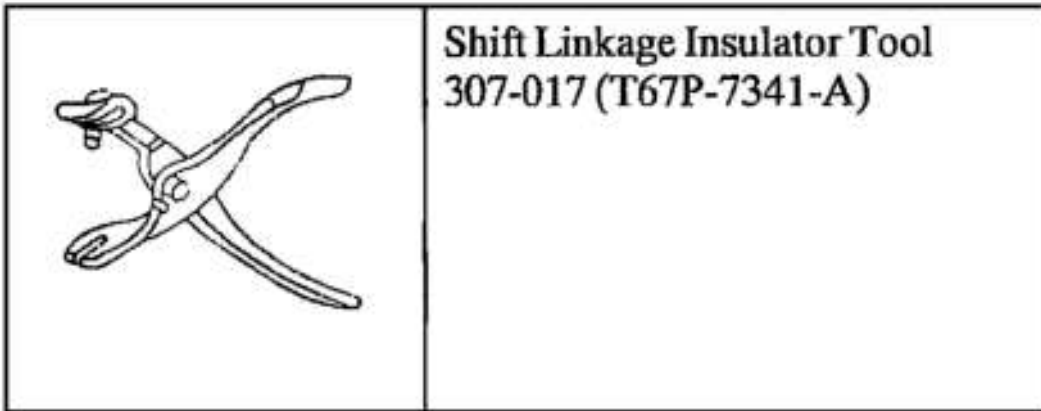
G02148925

**Fig. 8: Installing 4WD Indicator Switch**

1. Follow the removal procedure in reverse order.

**SHIFT LEVER**

**Special Tool(s)**

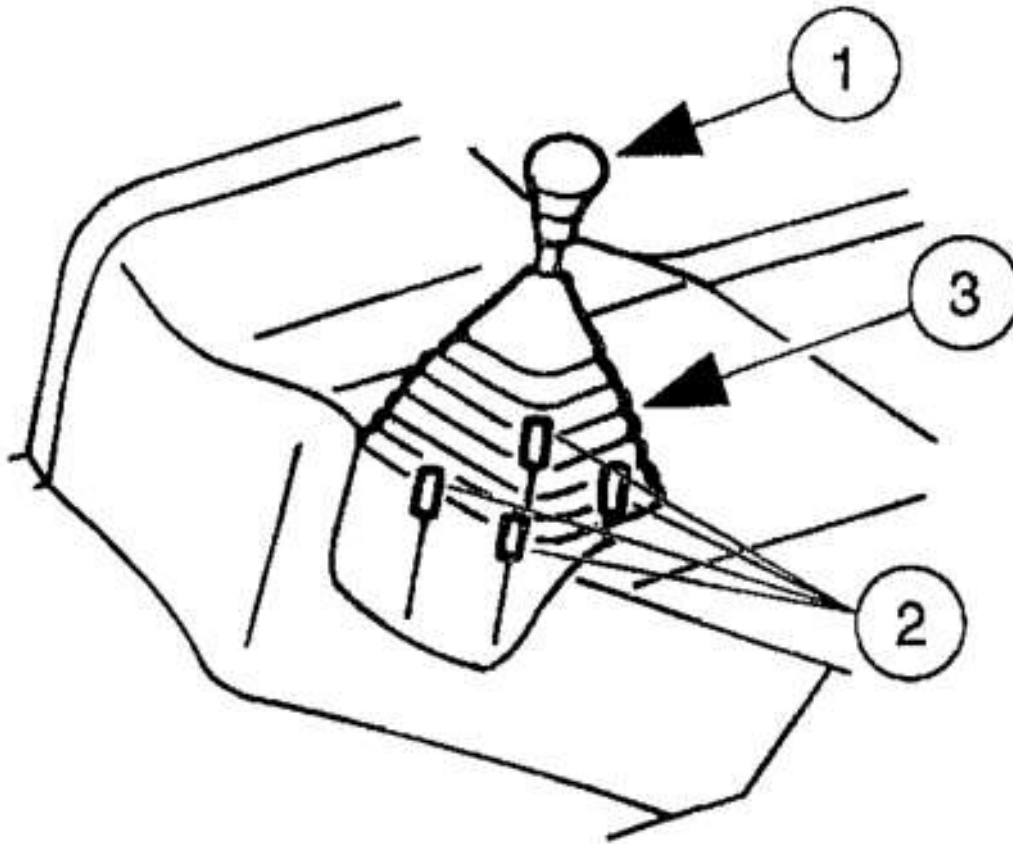


G02148926

**Fig. 9: Special Tool(s)**

**Removal**

1. Remove the gearshift lever boot (7277).
  1. Remove the gearshift lever knob.
  2. Remove the four gearshift lever boot screws.
  3. Remove the gearshift lever boot.

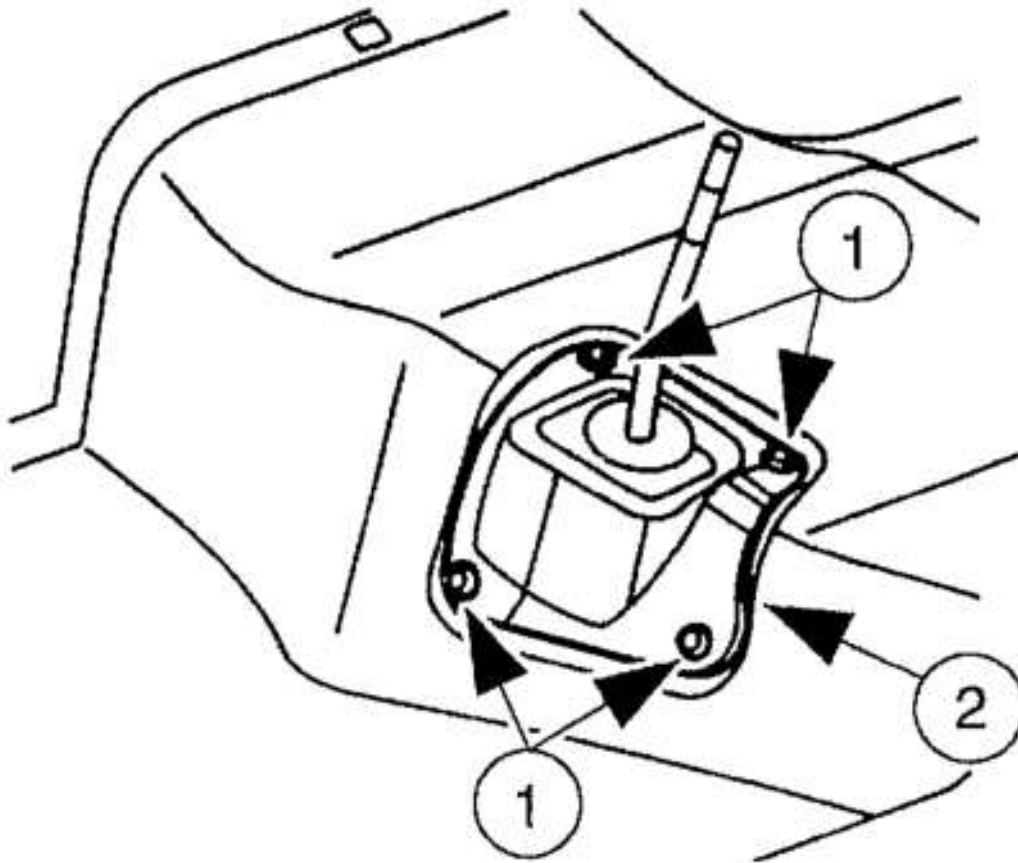


G02148927

**Fig. 10: Removing Gearshift Lever Boot**

2. Remove the gearshift lever cover.
  1. Remove the four gearshift lever cover bolts.
  2. Remove the gearshift lever cover:

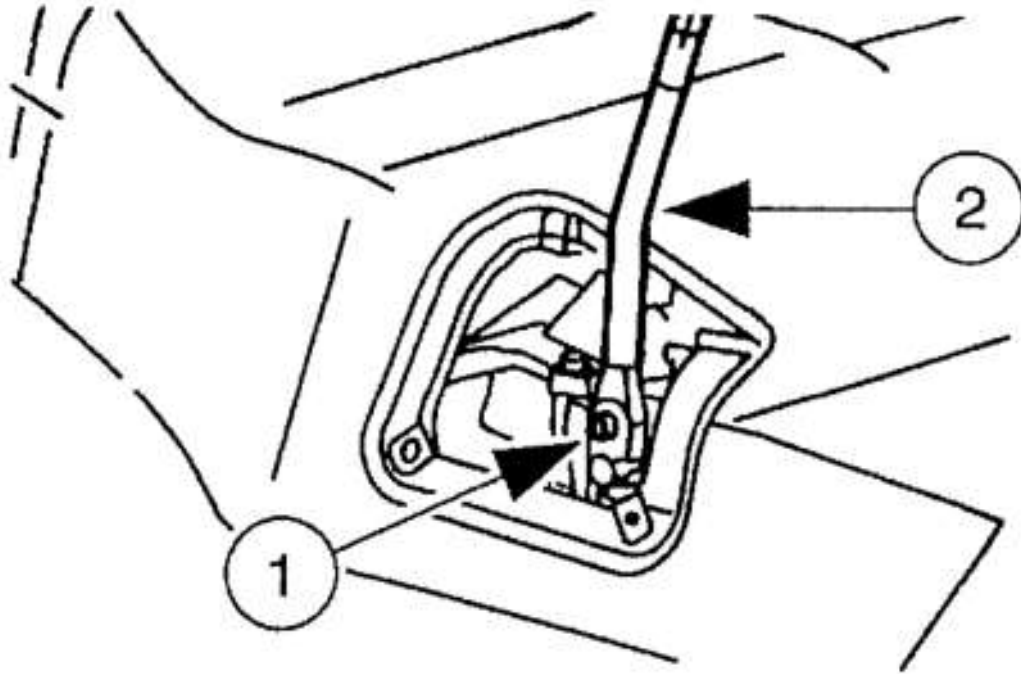




G02148928

**Fig. 11: Removing Gearshift Lever Cover**

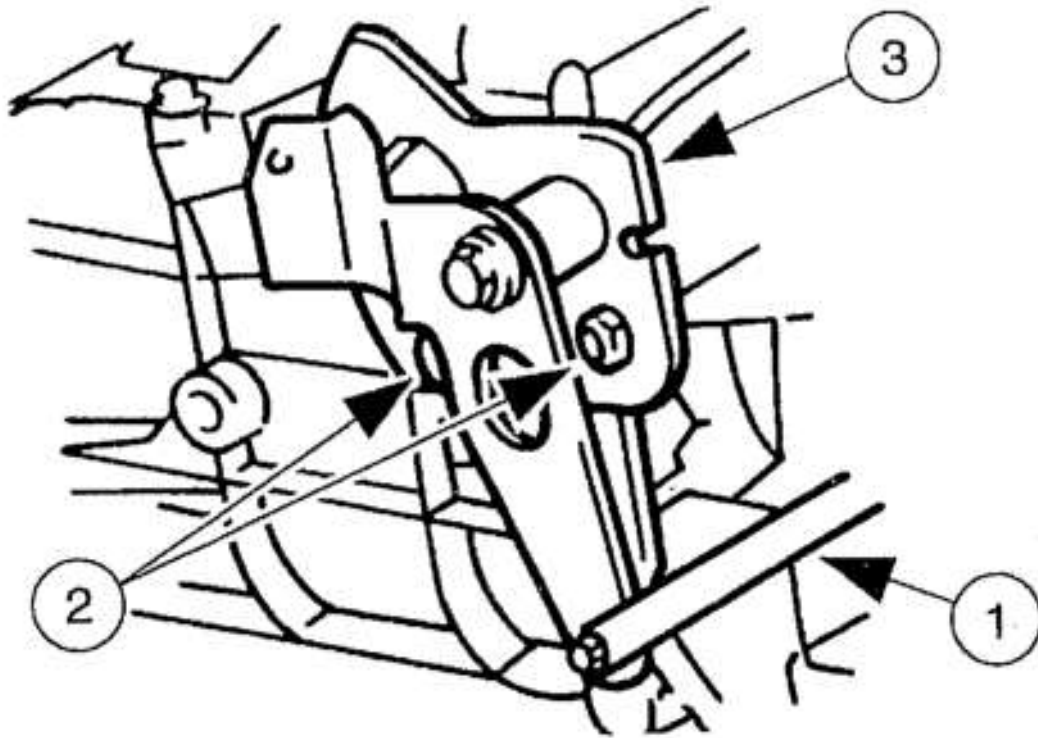
3. Remove the upper gearshift lever (7210).
  1. Remove the upper gearshift lever bolt.
  2. Remove the upper gearshift lever.



G02148929

**Fig. 12: Removing Upper Gearshift Lever**

4. Remove the lower gearshift lever.
  1. Use the Shift Linkage Insulator Tool to disconnect the lower gearshift lever to transfer case rod.
  2. Remove the two lower gearshift lever bolts.
  3. Remove the lower gearshift lever.

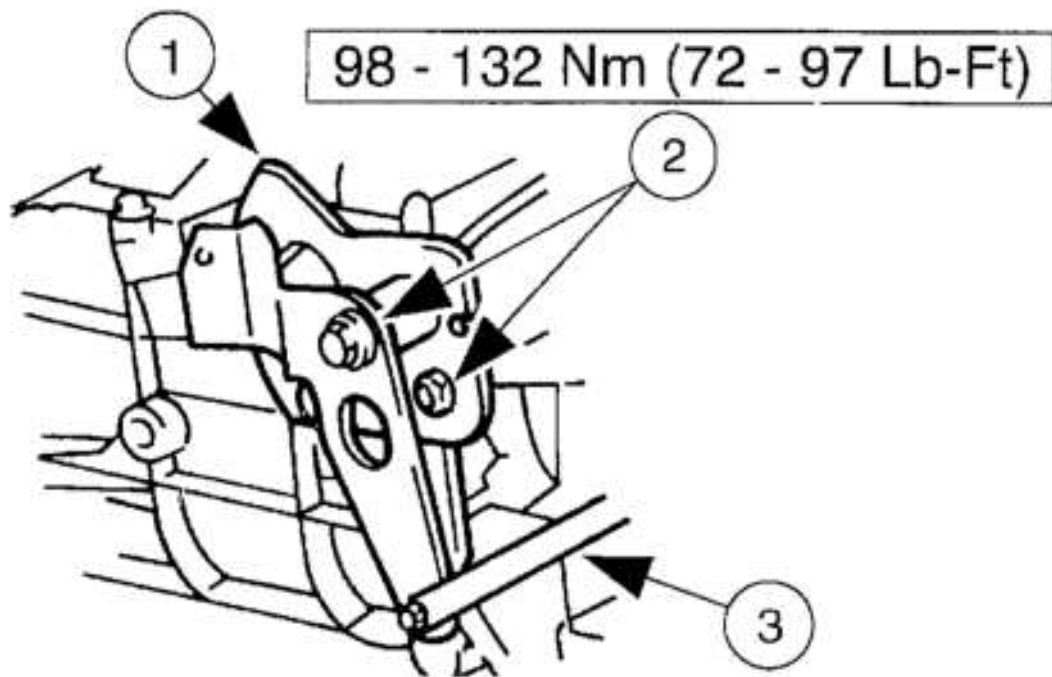


G02148930

**Fig. 13: Removing Lower Gearshift Lever**

**Installation**

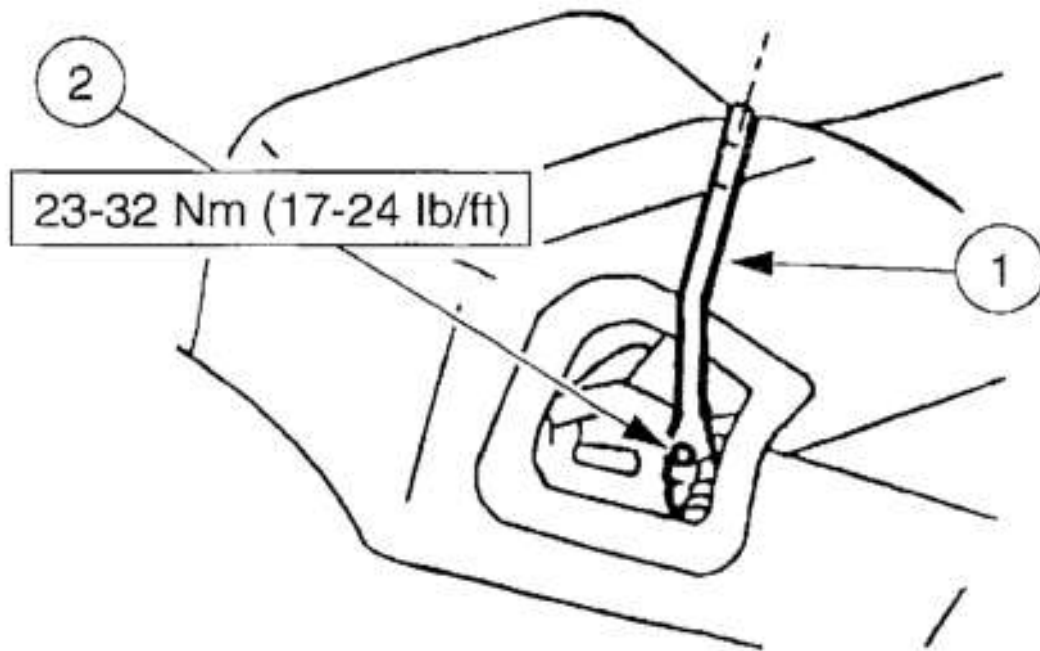
1. Install the lower gearshift lever.
  1. Position the lower gearshift lever.
  2. Install the two lower gearshift lever bolts.
  3. Use the Shift Linkage Insulator Tool to connect the lower gearshift lever to transfer case rod.



G02148931

**Fig. 14: Installing Lower Gearshift Lever**

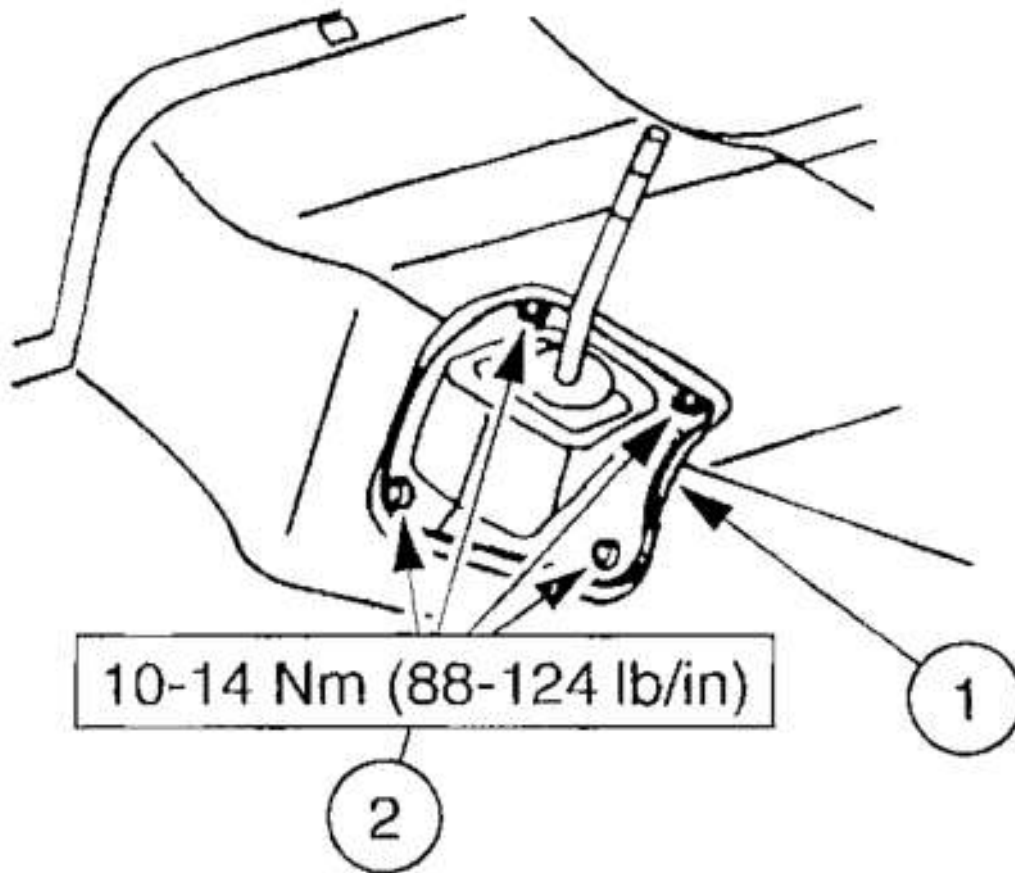
2. Install the upper gearshift lever.
  1. Position the upper gearshift lever.
  2. Install the upper gearshift lever bolt.



G02148932

**Fig. 15: Installing Upper Gearshift Lever**

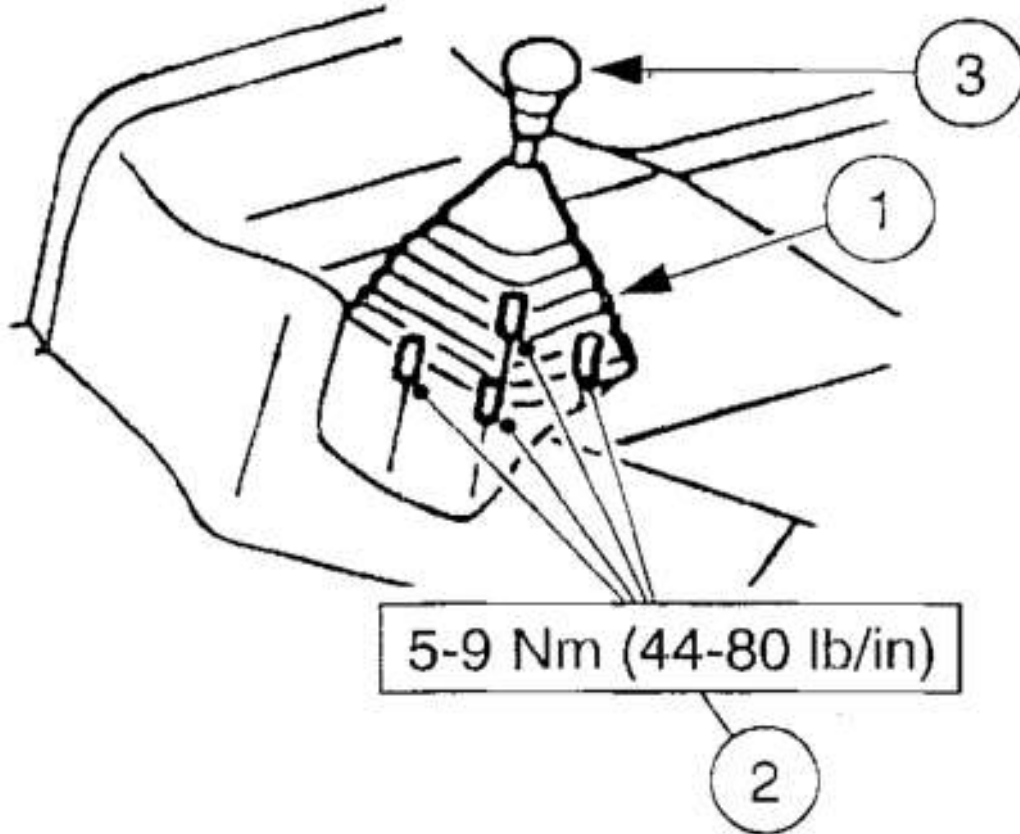
3. Install the gearshift lever cover.
  1. Position the gearshift lever cover.
  2. Install the four gearshift lever cover bolts.



G02148933

**Fig. 16: Installing Gearshift Lever Cover**

4. Install the gearshift lever boot.
  1. Position the gearshift lever boot.
  2. Install the four gearshift lever boot screws.
  3. Install the gearshift lever knob.



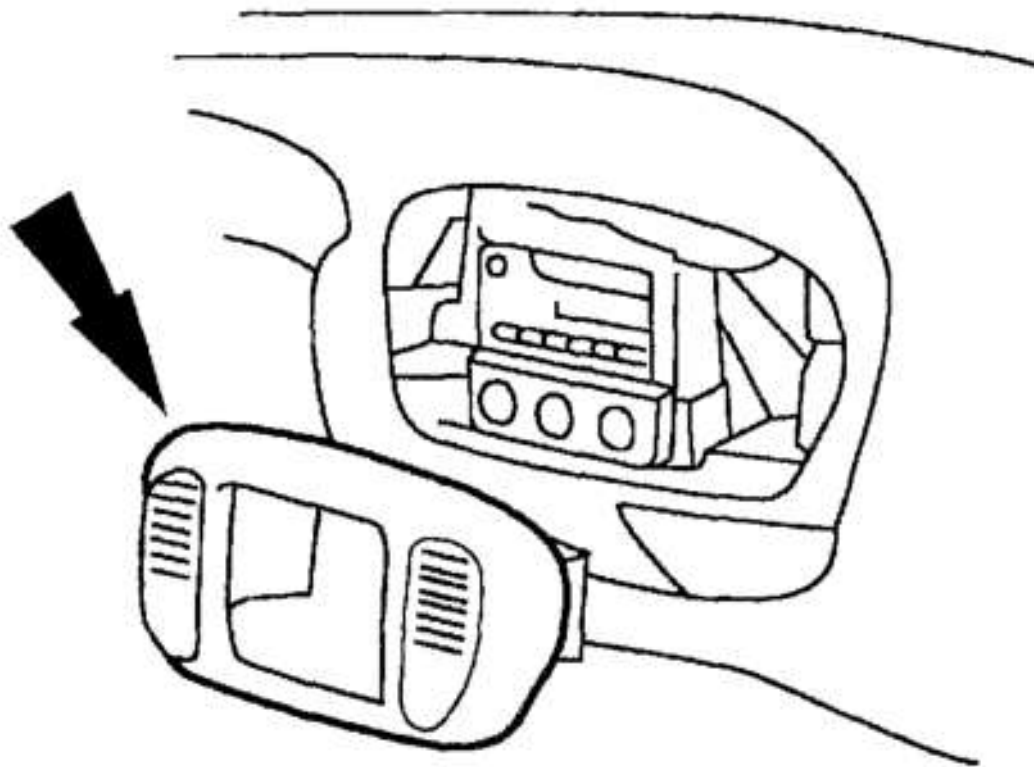
G02148934

**Fig. 17: Installing Gearshift Lever Boot**

**INDICATOR SWITCH - SHIFT RANGE SELECTOR**

**Removal**

1. Remove the center instrument panel trim plate.

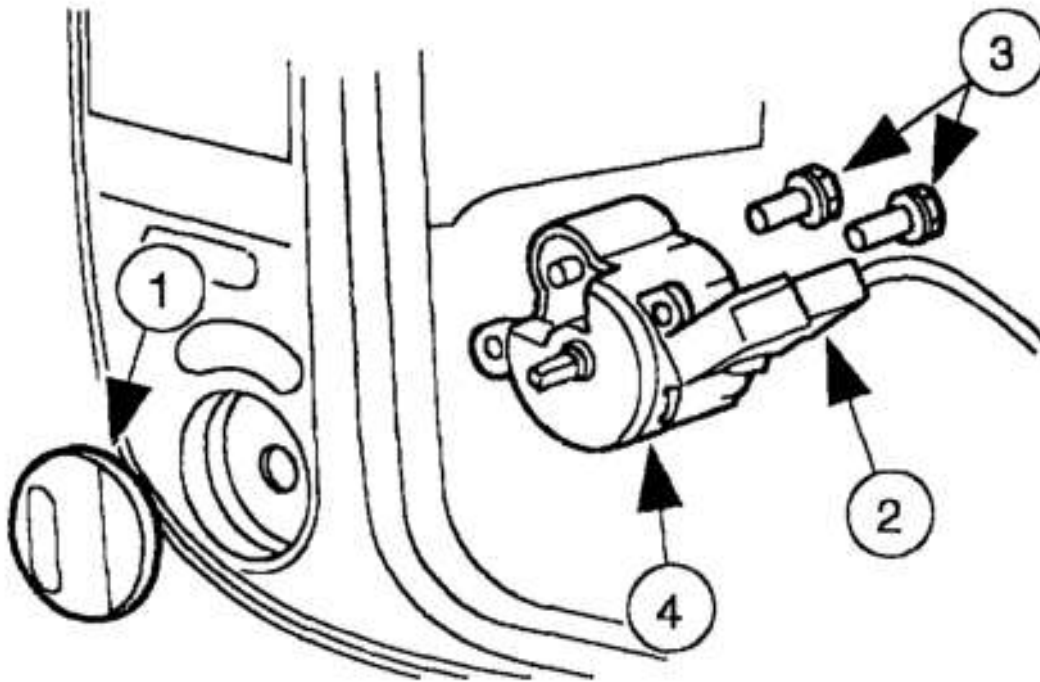


G02148935

**Fig. 18: Removing Center Instrument Panel Trim Plate**

2. Remove the shift range selector switch.
  1. Remove the shift range selector switch knob.
  2. Disconnect the shift range selector switch electrical connector.
  3. Remove the two shift range selector switch bolts.
  4. Remove the shift range selector switch.



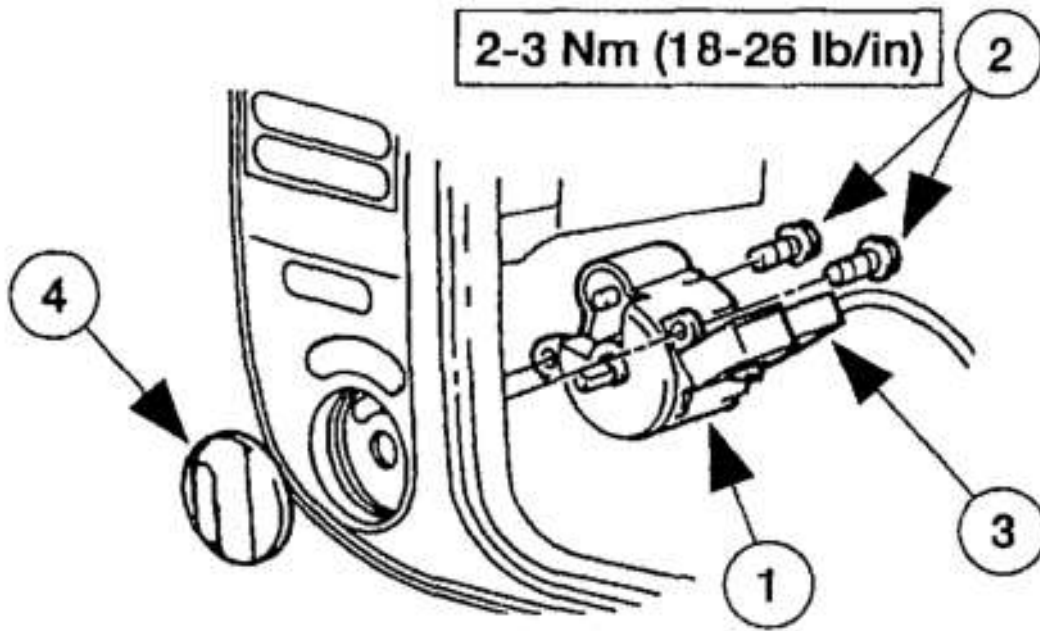


G02148936

**Fig. 19: Removing Shift Range Selector Switch**

**Installation**

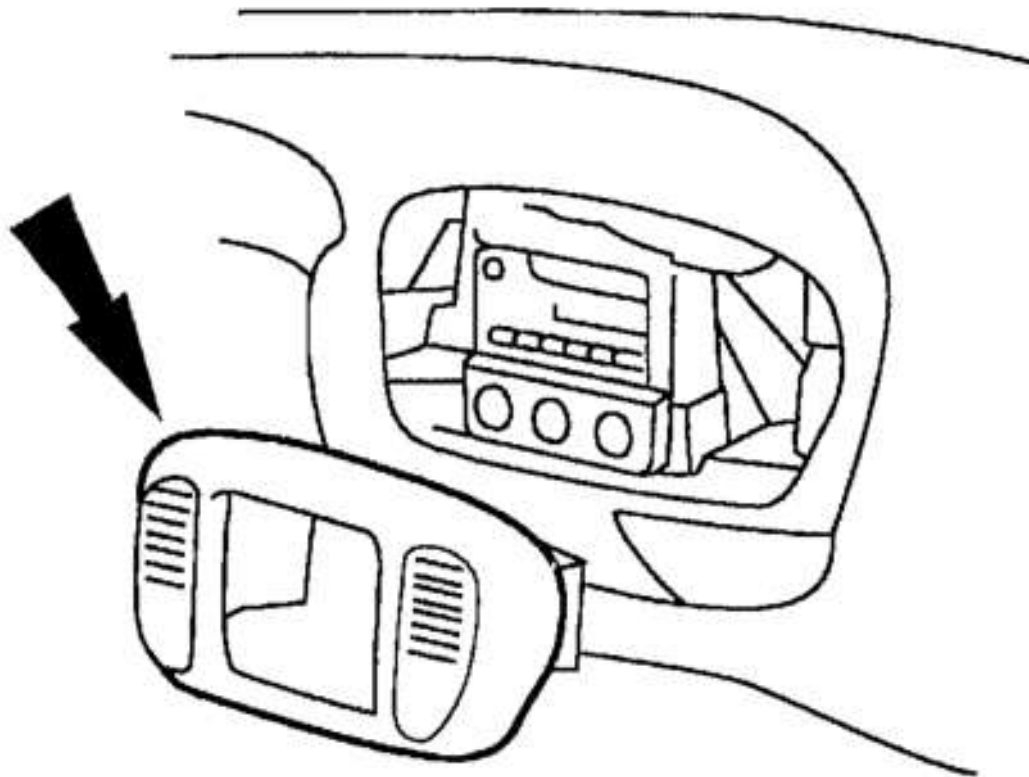
1. Install the shift range selector switch.
  1. Position the shift range selector switch.
  2. Install the bolts.
  3. Install the electrical connector.
  4. Install the knob.



G02148937

**Fig. 20: Installing Shift Range Selector Switch**

2. Install the center instrument panel trim plate.



G02148938

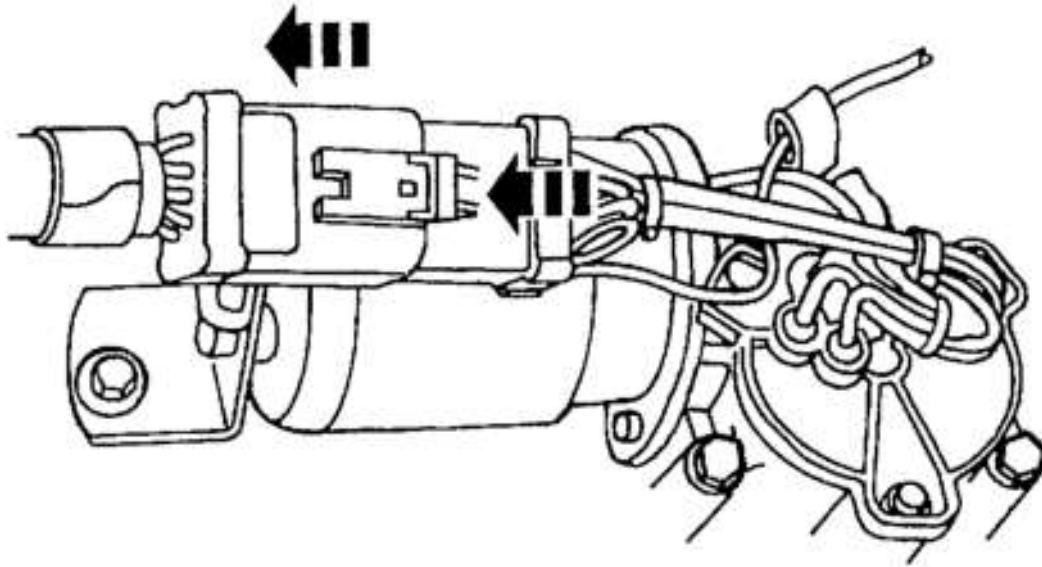
**Fig. 21: Installing Center Instrument Panel Trim Plate**

## TRANSFER CASE SHIFT MOTOR - ELECTRIC SHIFT

### Removal

**WARNING:** The electrical power to the air suspension system must be shut off prior to hoisting, jacking or towing an air suspension vehicle. This can be accomplished by turning off the air suspension switch located in the RH kick panel area. Failure to do so can result in unexpected inflation or deflation of the air springs which can result in shifting of the vehicle during these operations.

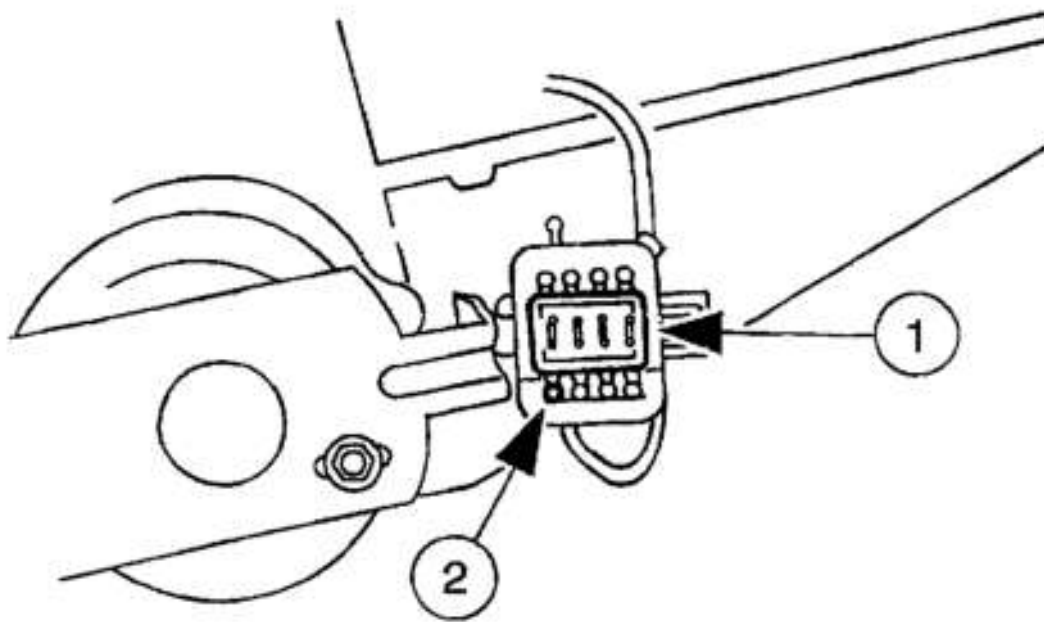
1. Raise and support the vehicle.
2. Disconnect the shift motor electrical connector.



G02148939

**Fig. 22: Disconnecting Shift Motor Electrical Connector**

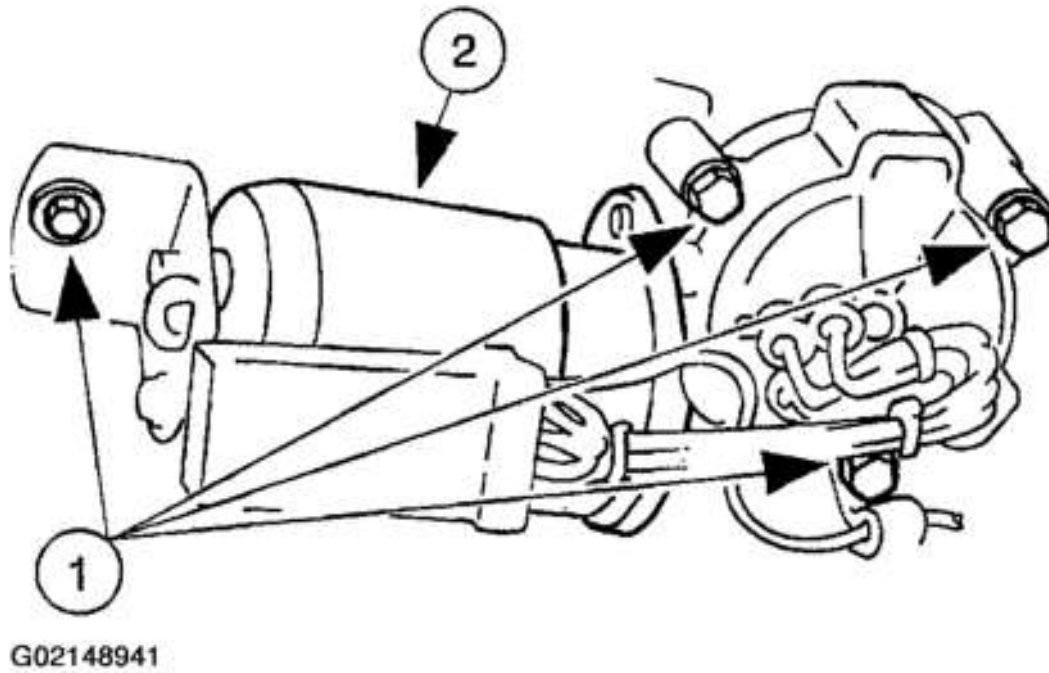
3. Remove the coil wire from the electric shift motor electrical connector.
  1. Remove the wire connector spacer.
  2. Remove the coil wire and pin.
    - Use correct electrical connector pin remover



G02148940

**Fig. 23: Removing Coil Wire From Electric Shift Motor Electrical Connector**

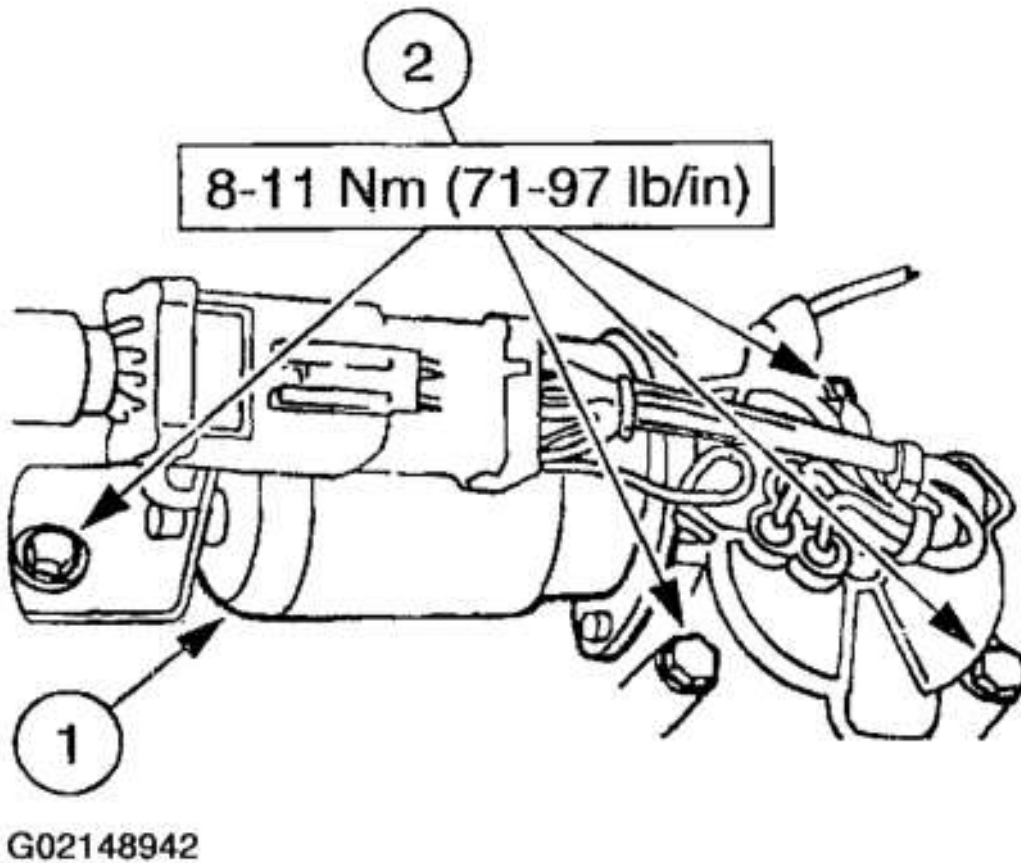
4. Remove the transfer case shift motor (7G360).
  1. Remove the bolts.
  2. Remove the transfer case shift motor.



**Fig. 24: Removing Transfer Case Shift Motor**

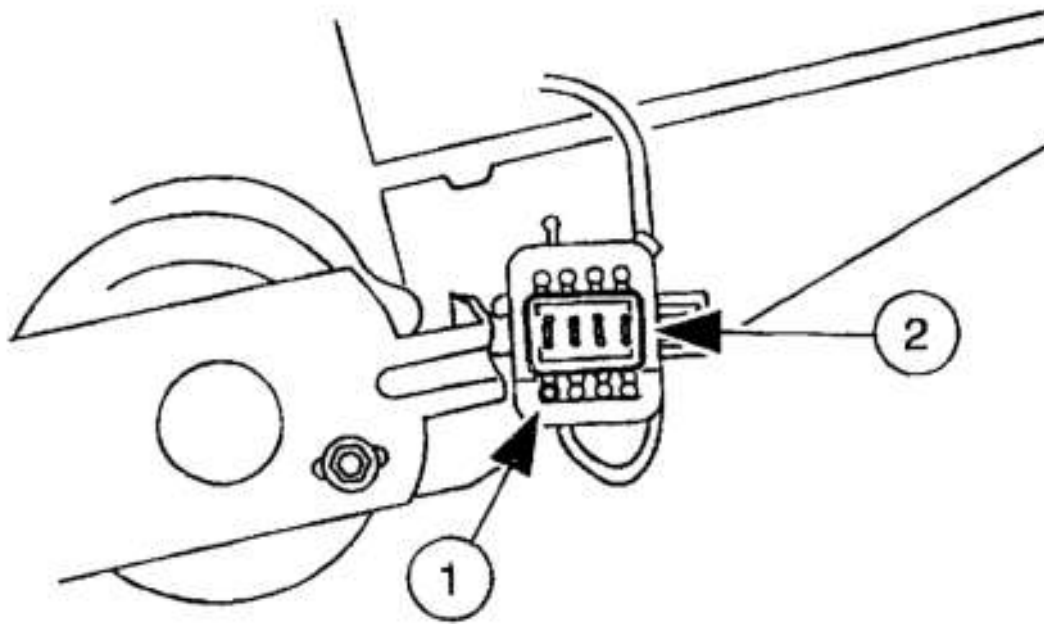
**Installation**

1. Install the transfer case shift motor.
  1. Position the transfer case shift motor.
  2. Install the bolts.



**Fig. 25: Installing Transfer Case Shift Motor**

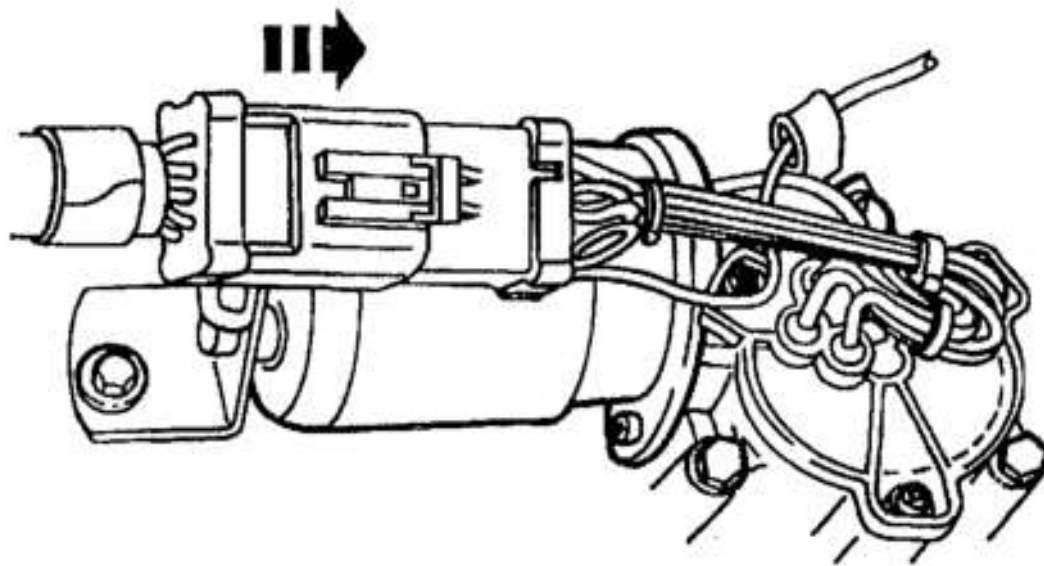
2. Install the coil wire into the transfer case shift motor electrical connector.
  1. Install the coil wire and pin.
  2. Install the wire connector spacer.



G02148943

**Fig. 26: Installing Coil Wire Into Transfer Case Shift Motor Electrical Connector**

3. Connect the transfer case shift motor electrical connector.



G02148944

**Fig. 27: Connecting Transfer Case Shift Motor Electrical Connector**



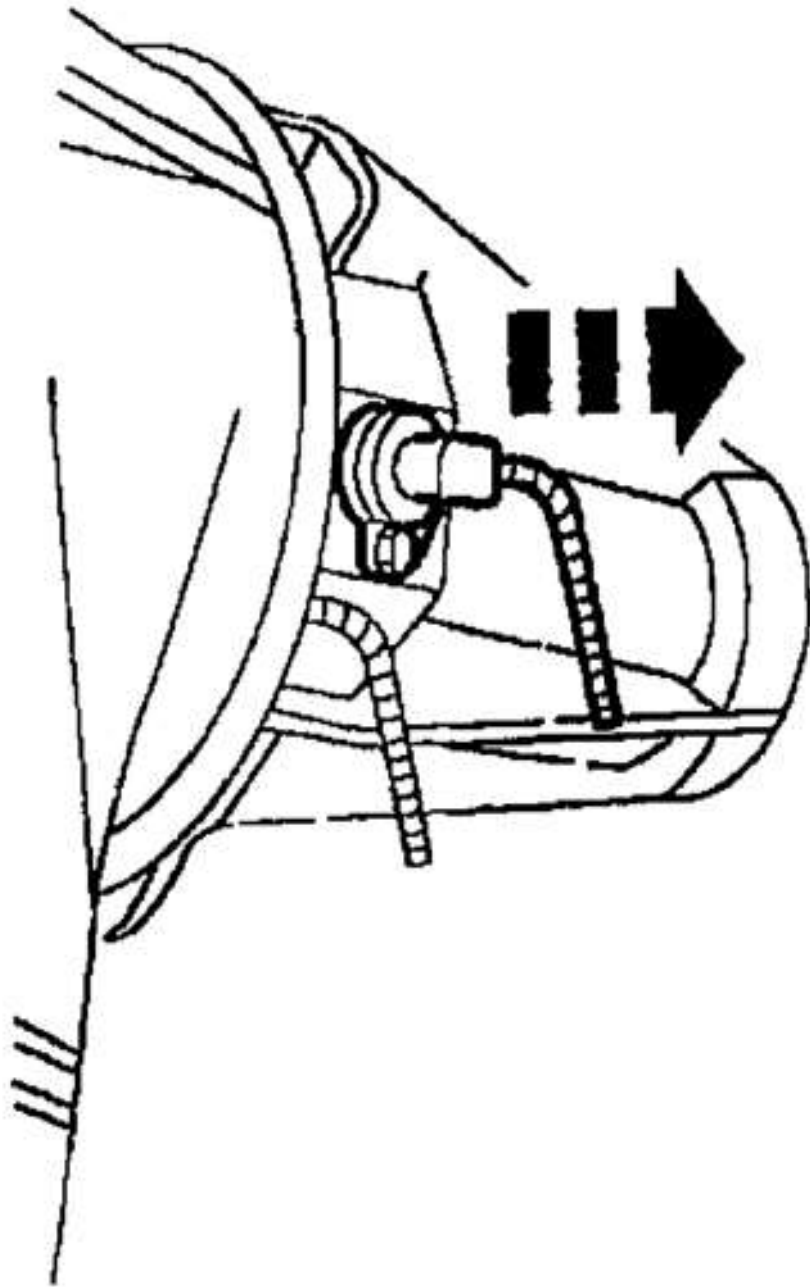
**NOTE:** If equipped with air suspension, reactivate the system by turning on the air suspension switch.

4. Lower the vehicle.

## **OUTPUT SHAFT SPEED SENSOR**

### **Removal**

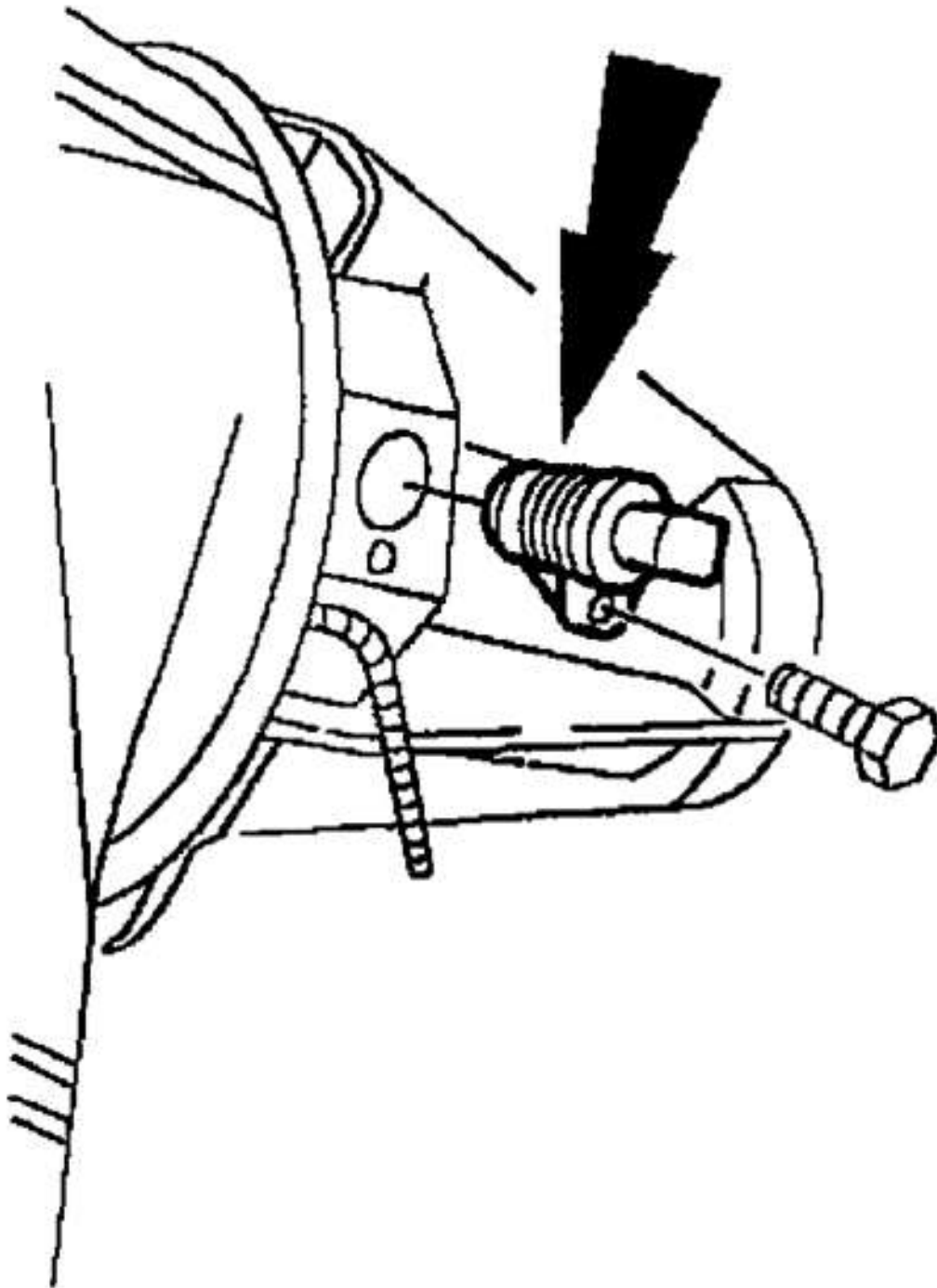
1. Remove the output shaft speed sensor connector.



G02148945

**Fig. 28: Removing Output Shaft Speed Sensor Connector**

2. Remove the bolt and the output shaft speed sensor.

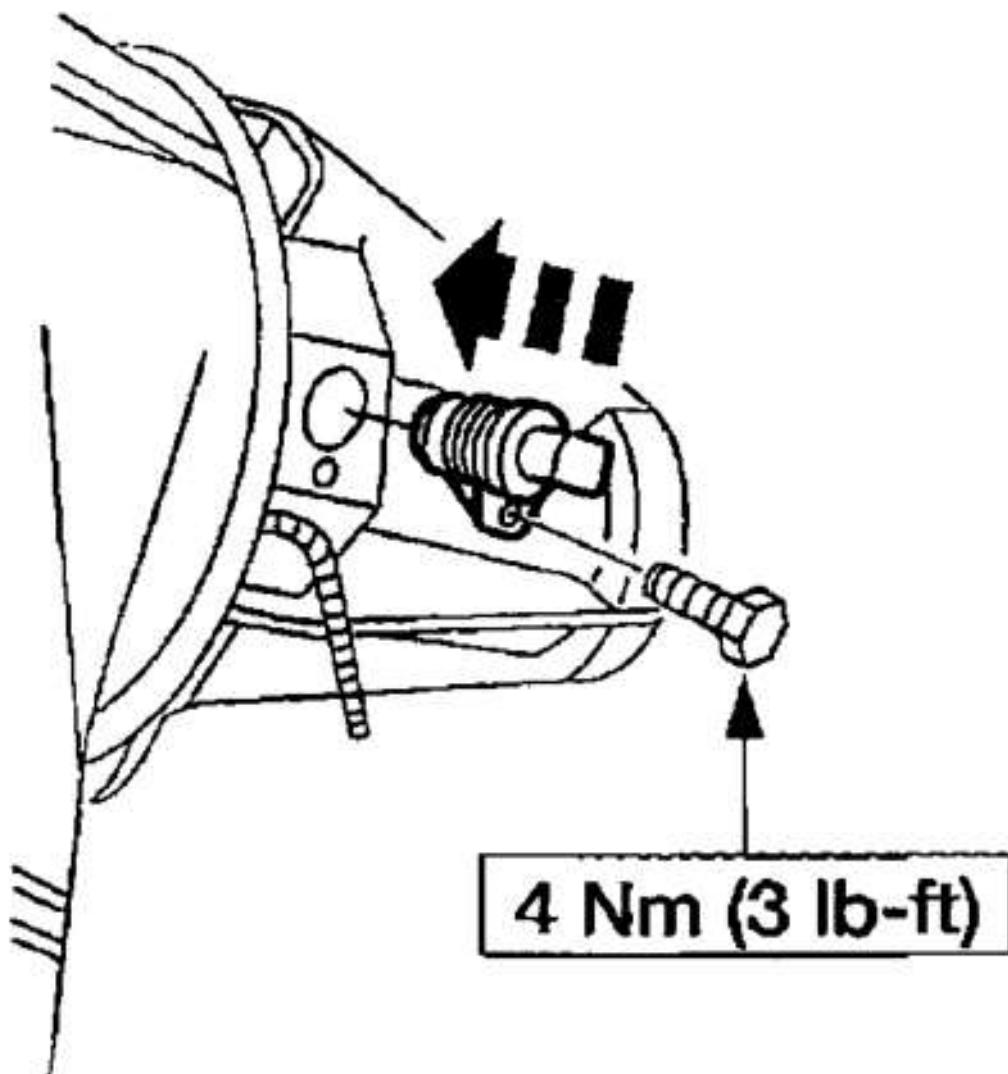


G02148946

Fig. 29: Removing Output Shaft Speed Sensor

Installation

1. To install, reverse the removal procedure.



G02148947

**Fig. 30: installing Output Shaft Speed Sensor**