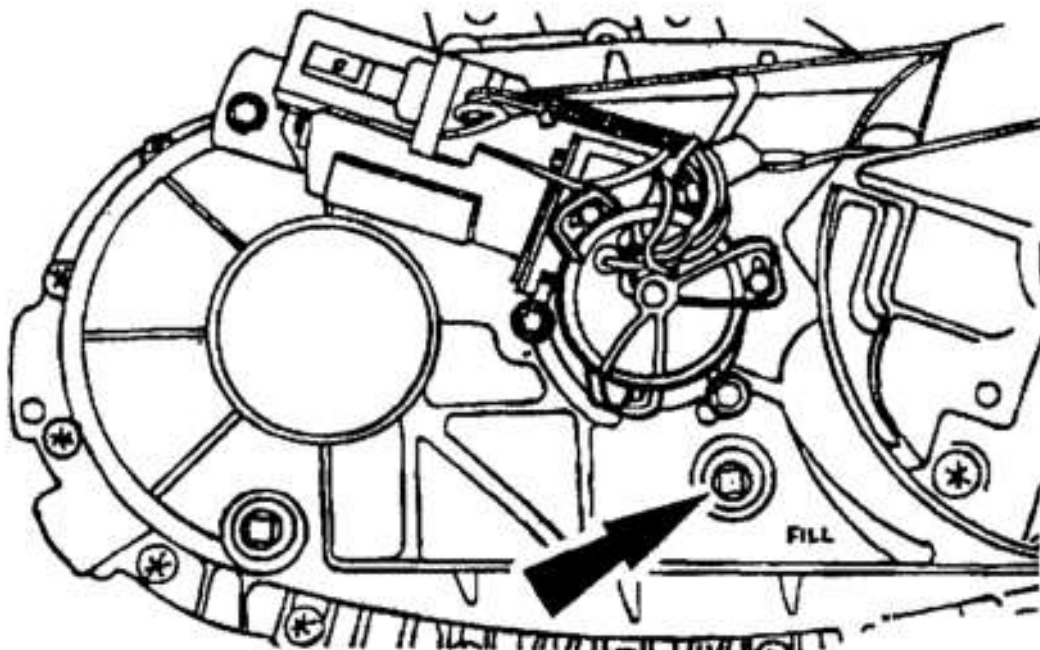


GENERAL PROCEDURES

TRANSFER CASE DRAINING AND FILLING

CAUTION: If the proper fill procedures are not followed, transfer case failure can result.

NOTE: The fluid level should be just below the fill plug.



G02149064

Fig. 147: Removing Fill Plug

1. Remove the fill plug from the rear of the transfer case and check the fill level.
 - If the fluid is below the specified level, fill with Motorcraft MERCON® Multi-Purpose Automatic Transmission Fluid XT-2-QDX or -DDX or equivalent MERCON® fluid.