

GENERAL PROCEDURES

TRANSFER CASE DRAINING AND FILLING

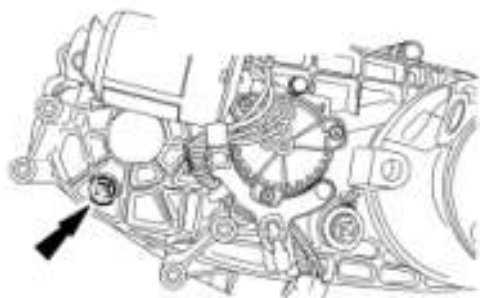
Material

ITEM SPECIFICATION

Item	Specification
Motorcraft® Transfer Case Fluid XL-12	ESP-M2C166-H

Draining and Filling

1. Remove the drain plug and drain the fluid.
 - Clean and install the drain plug after the fluid is drained.
 - Tighten to 24 Nm (18 lb-ft).



N0044043

Fig. 1: Locating Drain Plug

Courtesy of FORD MOTOR CO.

2. **NOTE:** Incorrect fluid fill may result in transfer case failure.

NOTE: The fluid must be just below the fill plug hole. The fact that the fluid can be reached with a finger does not mean the fluid is at the correct level. Make sure the fluid is level with the filler opening for the correct fluid level.

Clean the area around the fill plug and remove. Fill the transfer case.

- The total transfer case fill capacity is 1.2L (2.5 pt).

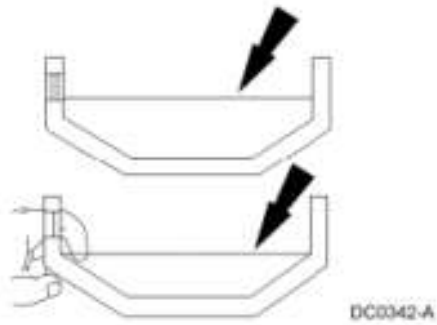


Fig. 2: Locating Transfer Case Fill Area
Courtesy of FORD MOTOR CO.

3. Install the fill plug.
 - Tighten to 24 Nm (18 lb-ft).

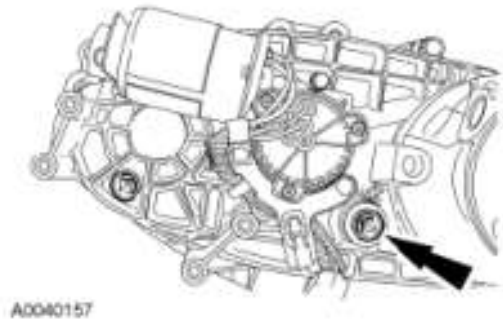


Fig. 3: Locating Fill Plug
Courtesy of FORD MOTOR CO.