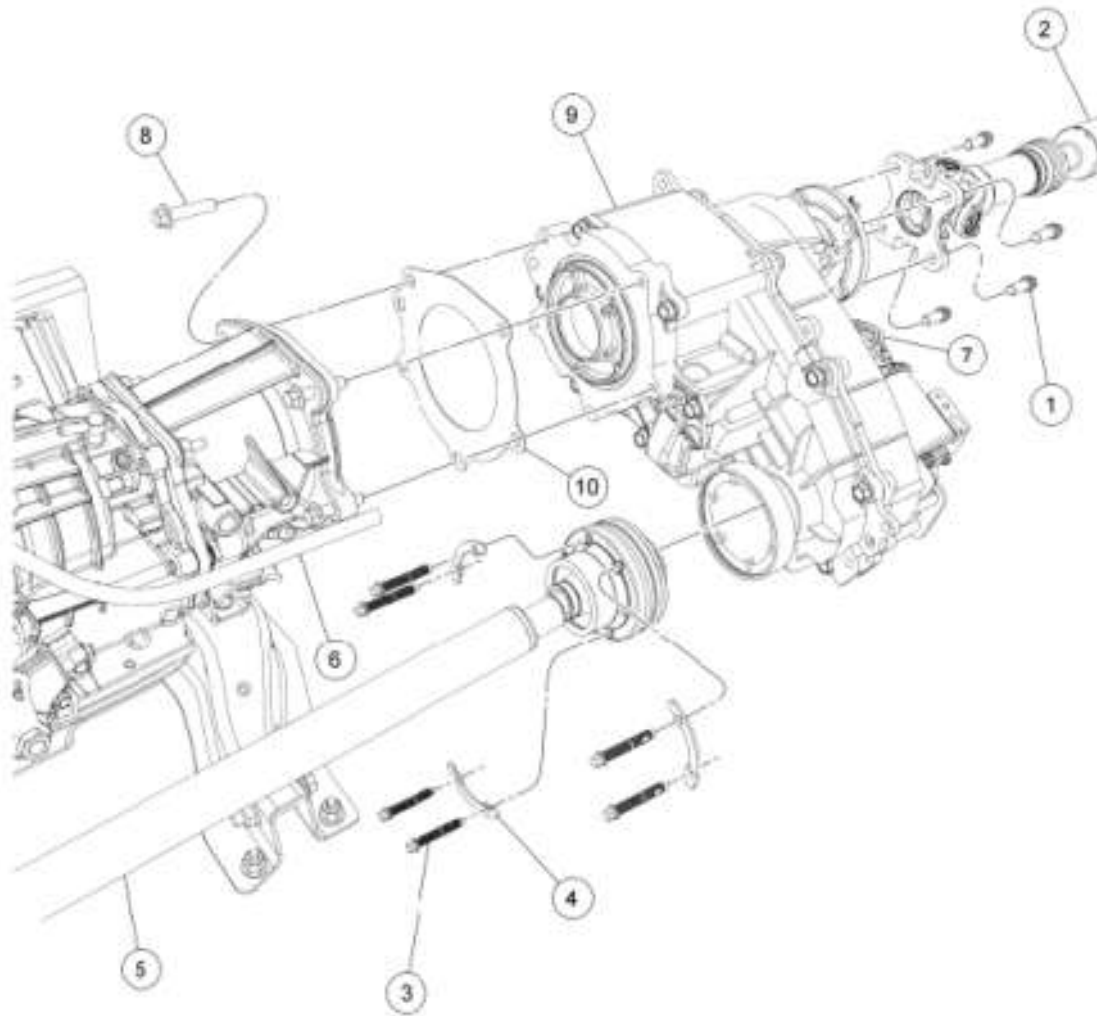


REMOVAL

TRANSFER CASE

Transfer Case Exploded View

NOTE: Automatic transmission shown in illustration, manual transmission similar.



N0070956

Fig. 105: Transfer Case Exploded View
Courtesy of FORD MOTOR CO.

ITEM DESCRIPTION

Item	Part Number	Description
1	N800594-S	Rear driveshaft bolt (4 required)
2	4602	Rear driveshaft
3	-	Front driveshaft bolt (6 required)
4	-	Front driveshaft CV-joint retainer (3 required)
5	4A376	Front driveshaft
6	7034	Vent hose

7	-	Shift motor electrical connector
8	N605804-S	Transfer case-to-transmission bolt (6 required)
9	7A195	Transfer case
10	7086	Transfer case gasket

Removal

1. **NOTE: Shift the transfer case to 2H.**

With the vehicle in NEUTRAL, position it on a hoist. For additional information, refer to **JACKING AND LIFTING**.

2. Remove the 4 skid plate bolts and the skid plate.

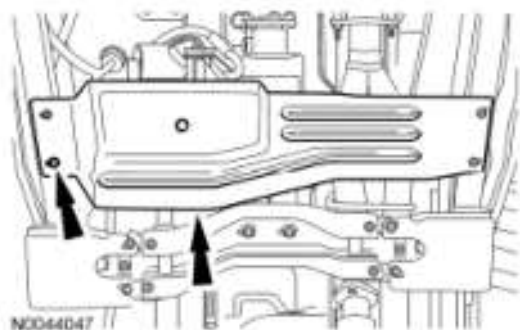


Fig. 106: Identifying Skid Plate Bolts And Skid Plate
Courtesy of FORD MOTOR CO.

3. Disconnect the transfer case electrical connector and position it aside.

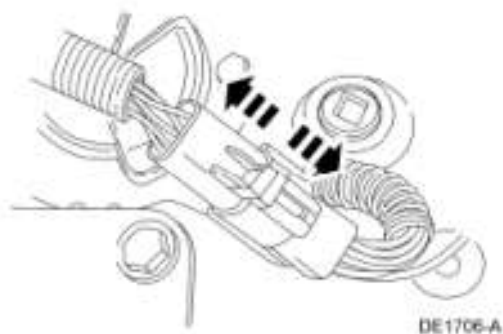
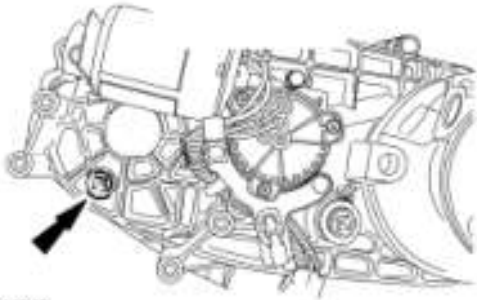


Fig. 107: Identifying Transfer Case Electrical Connector
Courtesy of FORD MOTOR CO.

4. If disassembly is necessary, drain the fluid. Install the drain plug when finished.



N0044043

Fig. 108: Locating Drain Plug

Courtesy of FORD MOTOR CO.

5. **NOTE:** Index-mark the front flange on the rear driveshaft and the flange on the transfer case.

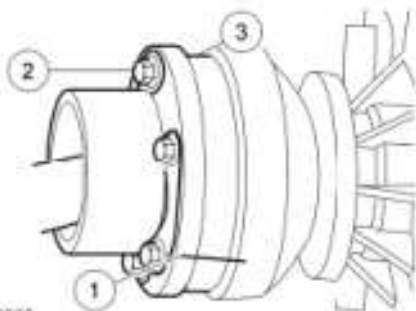
Remove the rear driveshaft. For additional information, refer to **DRIVESHAFT** .

6. **NOTE:** The front driveshaft must be disconnect the from the transfer case first. The weight of the driveshaft may pinch the boot between the shaft and the boot and cause the boot to tear.

- NOTE:** Index-mark the front output shaft assembly and the front driveshaft CV-joint.

Disconnect the front driveshaft from the transfer case and position the driveshaft aside in the following sequence. Using mechanic's wire, support the driveshaft.

1. Index-mark the front output shaft assembly to the front driveshaft CV-joint.
2. Remove and discard the 6 front driveshaft-to-CV-joint bolts and retainers.
3. Disconnect the front driveshaft.



N0044060

Fig. 109: Identifying Front Driveshaft And Front Output Shaft

Courtesy of FORD MOTOR CO.

7. Disconnect the vent hose.
8. Position a suitable high-lift jack to the transfer case and secure it with safety a strap.
9. Remove the 5 transfer case-to-transmission bolts.
10. Separate the transfer case from the extension housing. Pull the transfer case rearward and lower the

transfer case from the vehicle.

- Remove and discard the gasket and clean the mating surfaces.