

GENERAL PROCEDURE

TRANSMISSION FLUID LEVEL CHECK

MATERIALS SPECIFICATIONS

Name	Specification
Motorcraft® Dual Clutch Transmission Fluid XT-11-QDC	WSS-M2C200-D2

1. Refer to: **Health and Safety Precautions** (**HEALTH AND SAFETY PRECAUTIONS**).

Refer to: **JACKING & LIFTING** .

2.

1. If equipped.

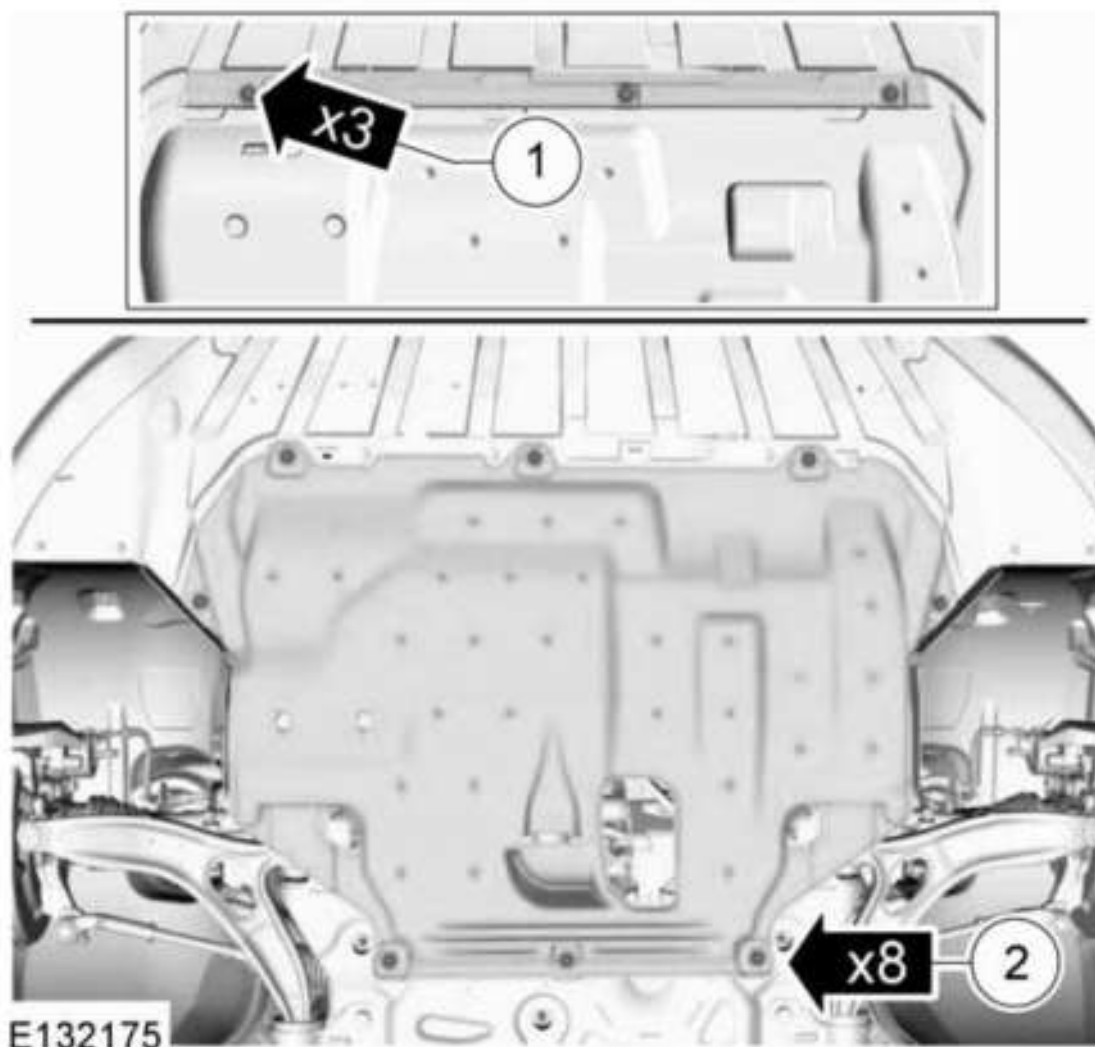


Fig. 18: Locating Engine Lower Cover Fasteners
Courtesy of FORD MOTOR CO.

3. **WARNING: Be prepared to collect escaping fluid.**

3.

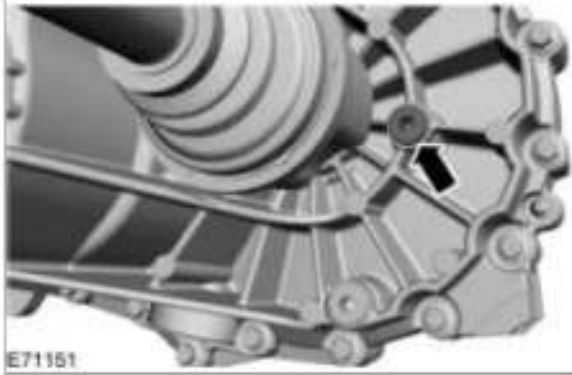


Fig. 19: Locating Fill Plug
Courtesy of FORD MOTOR CO.

4. *Material* : Motorcraft® Dual Clutch Transmission Fluid / XT-11-QDC (WSS-M2C200-D2)

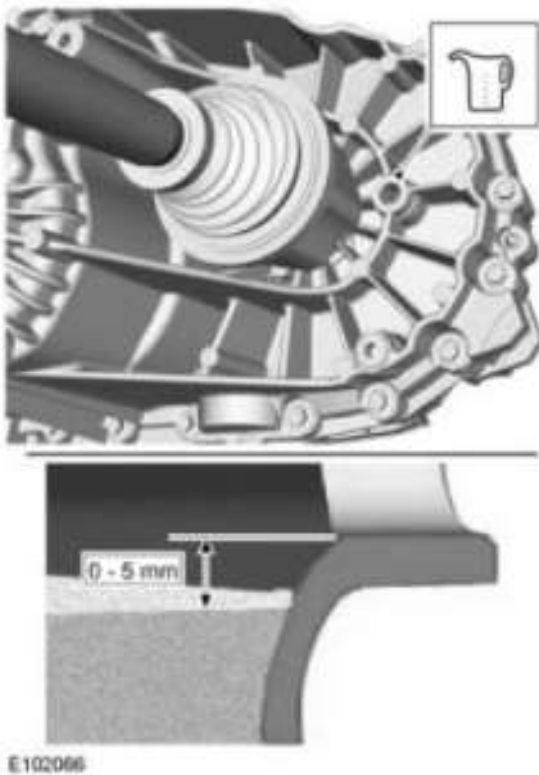


Fig. 20: Checking Transaxle Fluid Level
Courtesy of FORD MOTOR CO.

5. *Torque* : 35 Nm

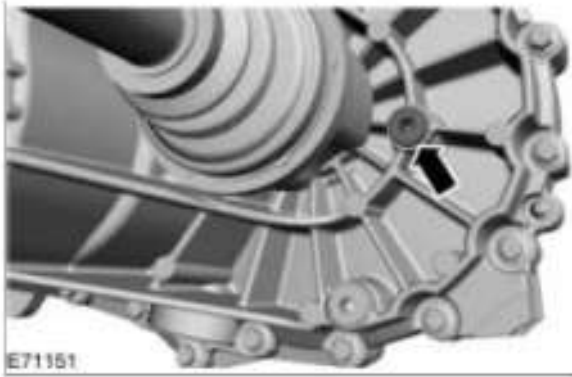


Fig. 21: Locating Fill Plug
 Courtesy of FORD MOTOR CO.

6.
 1. If equipped.

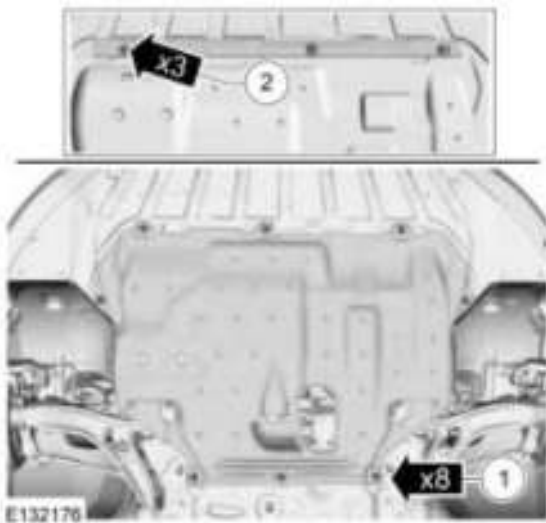


Fig. 22: Locating Engine Lower Cover Fasteners
 Courtesy of FORD MOTOR CO.

7. Lower the Vehicle.

TRANSMISSION DRAINING AND FILLING

MATERIALS SPECIFICATIONS

Name	Specification
Motorcraft® Dual Clutch Transmission Fluid XT-11-QDC	WSS-M2C200-D2

1. Refer to: **HEALTH AND SAFETY PRECAUTIONS** .

Refer to: **JACKING & LIFTING** .

- 2.

1. If equipped.

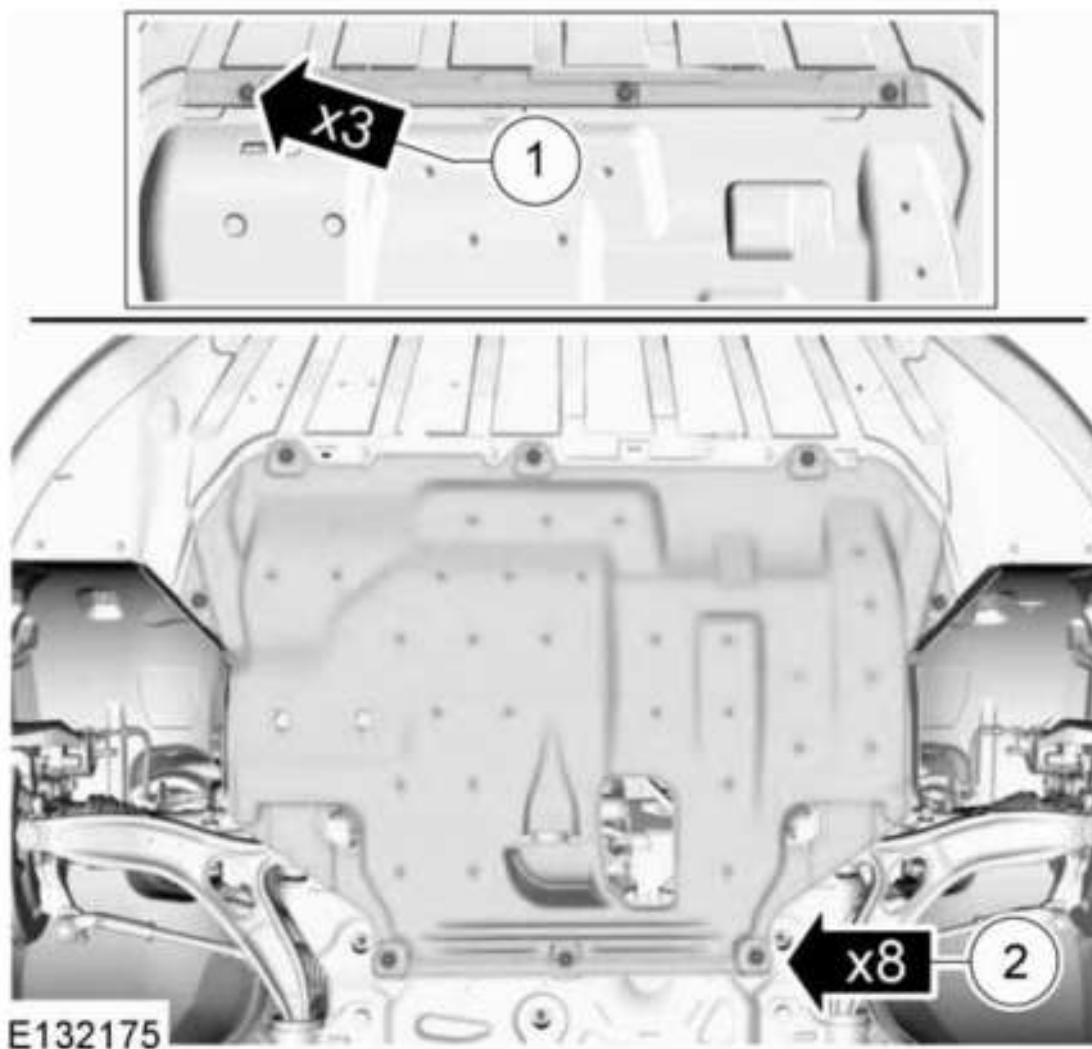
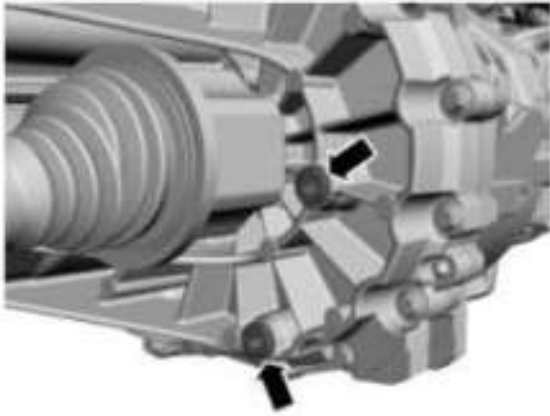


Fig. 23: Locating Engine Lower Cover Fasteners
Courtesy of FORD MOTOR CO.

WARNING: Be prepared to collect escaping fluid.

- 3.

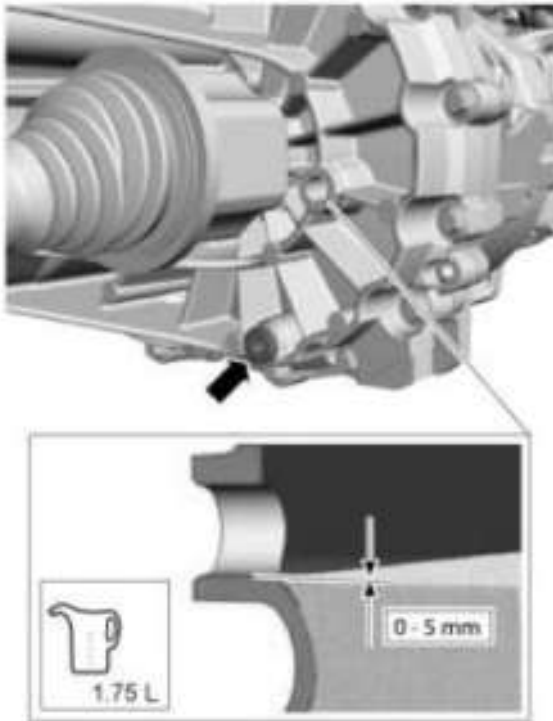


E102720

Fig. 24: Locating Transaxle Fluid Filler Plugs
Courtesy of FORD MOTOR CO.

4. *Material* : Motorcraft® Dual Clutch Transmission Fluid / XT-11-QDC (WSS-M2C200-D2)

Torque : 35 Nm



E130975

Fig. 25: Checking Transaxle Fluid Level
Courtesy of FORD MOTOR CO.

5. *Torque* : 35 Nm

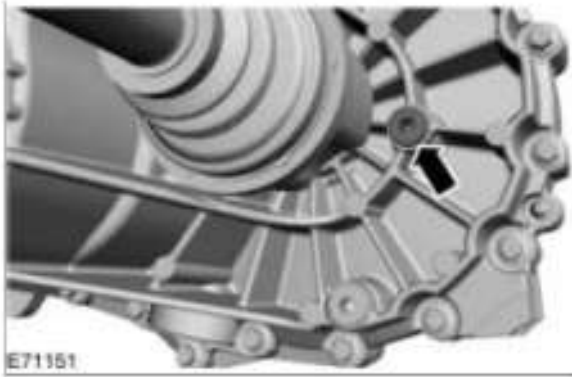


Fig. 26: Locating Fill Plug
Courtesy of FORD MOTOR CO.

6.
 1. If equipped.

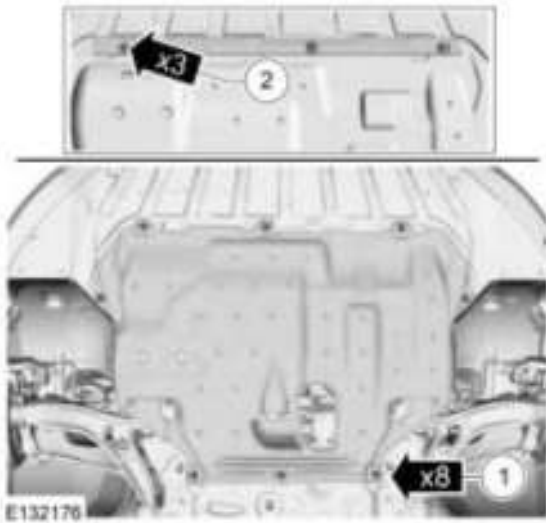


Fig. 27: Locating Engine Lower Cover Fasteners
Courtesy of FORD MOTOR CO.

7. Lower the Vehicle.