
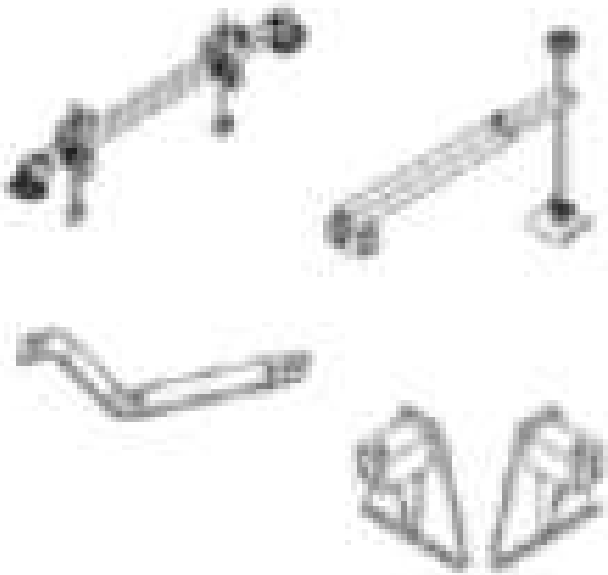


INSTALLATION

TRANSMISSION - 2.0L ECOBOOST

SPECIAL TOOL(S) / GENERAL EQUIPMENT

 <p>E47098</p>	<p>205-775 Protector, Halfshaft Seal</p>
---	--

	<p>303-F072 Support Bar, Engine</p>
---	---

Transmission Jack
Retaining Strap
Wooden Block

MATERIALS SPECIFICATIONS

Name	Specification

1. Refer to: **Health and Safety Precautions (HEALTH AND SAFETY PRECAUTIONS)**.
2. Apply the substance from the specified tube.

Material : grease - high temperature (ESD-M1C220-A)

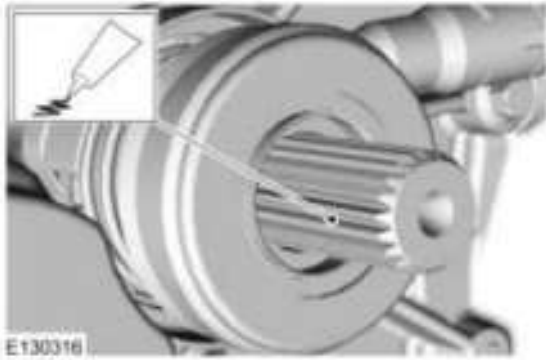
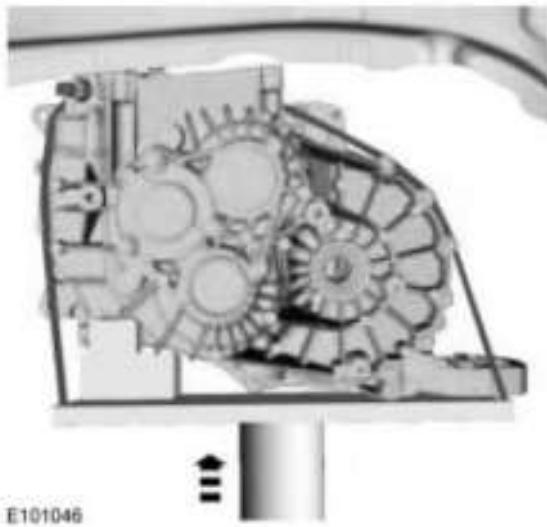


Fig. 93: Identifying Input Shaft Grease Applying Area
Courtesy of FORD MOTOR CO.



3.

Fig. 94: Supporting Transmission Using Jack
Courtesy of FORD MOTOR CO.

4. Tighten on both sides simultaneously.

Torque : 48 Nm

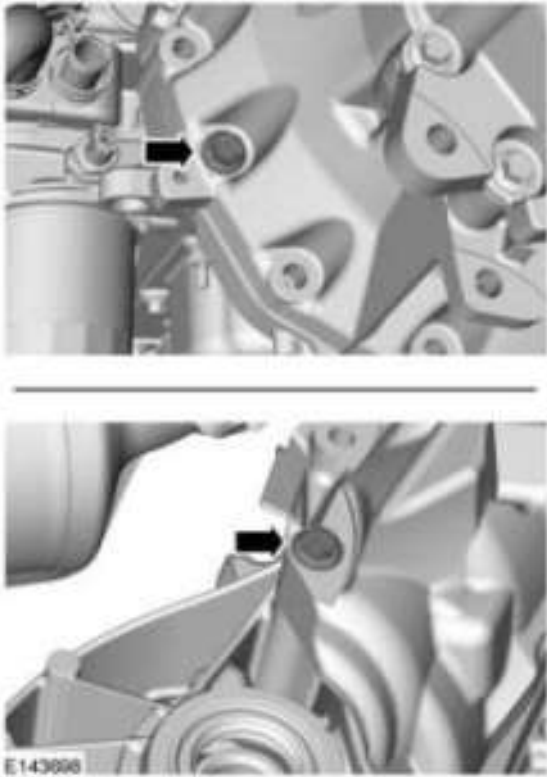


Fig. 95: Locating Transmission-To-Engine Bolt
Courtesy of FORD MOTOR CO.

5. Remove the following items:
- *General Equipment* : Wooden Block
 - *General Equipment* : Retaining Strap
 - *General Equipment* : Transmission Jack

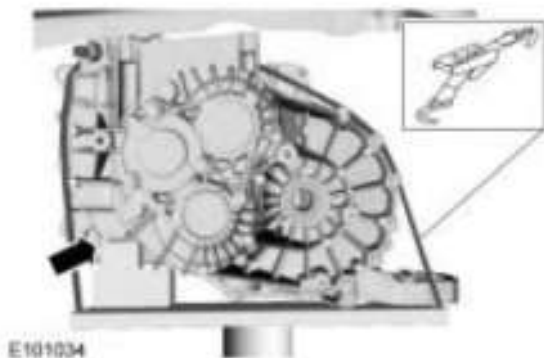


Fig. 96: Supporting Transmission Using Wooden Block
Courtesy of FORD MOTOR CO.

6. Lower the Vehicle.
7. *Torque* : 80 Nm

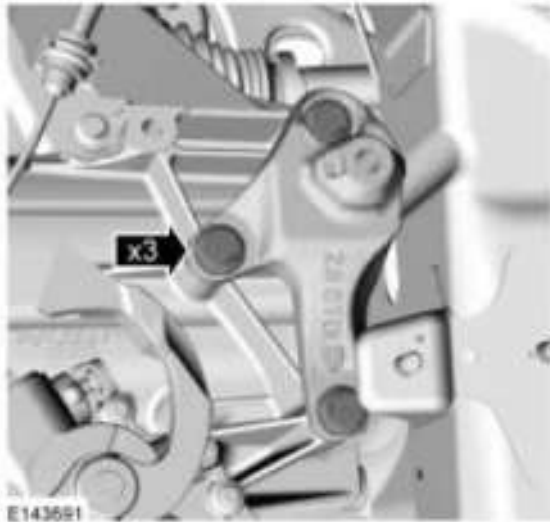


Fig. 97: Locating Transmission Support Bracket Bolts
Courtesy of FORD MOTOR CO.

WARNING: Make sure that a new bolt is installed.



Fig. 98: Locating Bracket Bolt
Courtesy of FORD MOTOR CO.

8. *Torque* : 148 Nm
9. Remove special tool.

Special Tool(s) : 303-F072 (Support Bar, Engine)

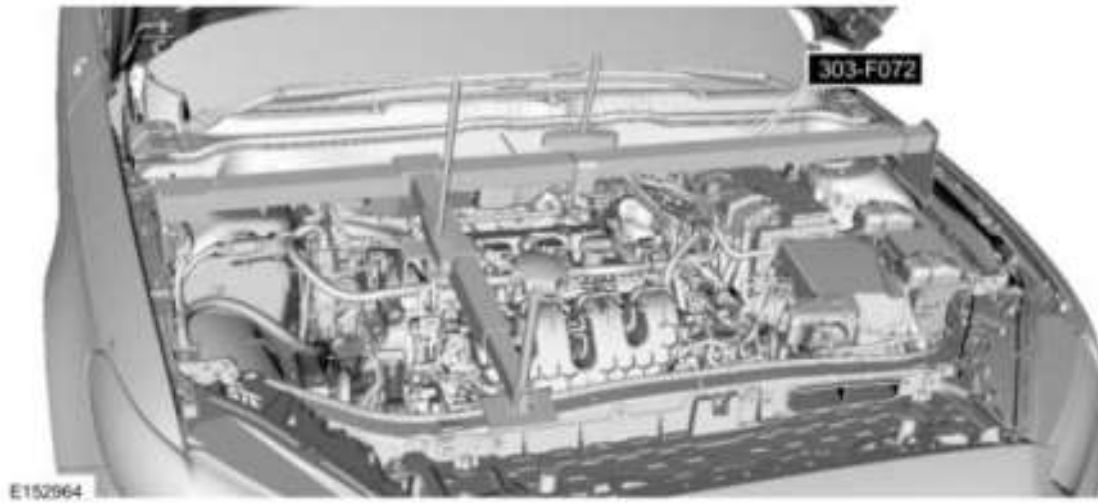
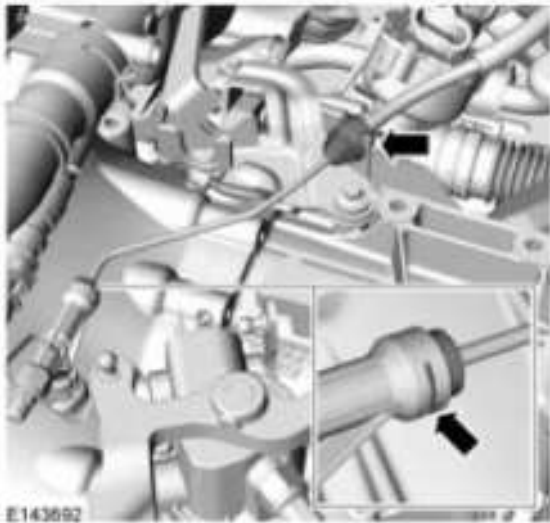


Fig. 99: Identifying Engine Support Bar (303-F072)
Courtesy of FORD MOTOR CO.



10.

Fig. 100: Identifying Selector Cable
Courtesy of FORD MOTOR CO.

11. Refer to: **Clutch System Bleeding (CLUTCH SYSTEM BLEEDING)**.
12. Refer to: **Jacking and Lifting - Overview (JACKING AND LIFTING - OVERVIEW)**.
13. *Torque* : 48 Nm

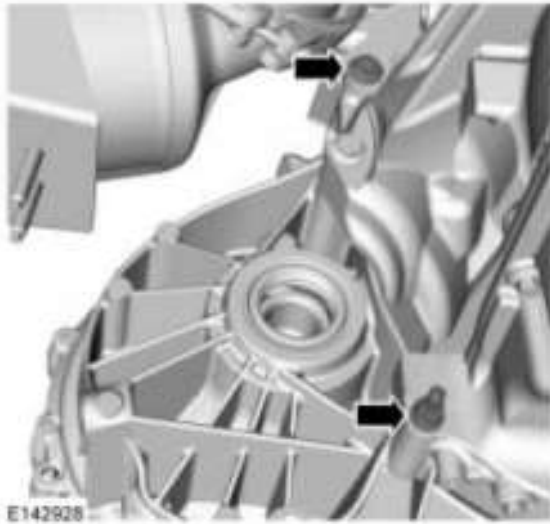


Fig. 101: Locating Transmission Nut And Bolt
Courtesy of FORD MOTOR CO.

14. Torque : 48 Nm

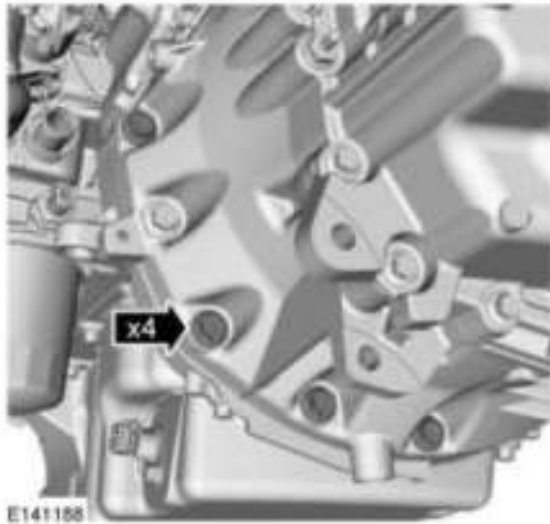


Fig. 102: Locating Transmission-To-Engine Bolts
Courtesy of FORD MOTOR CO.

15. Refer to: Front Halfshaft LH (FRONT HALFSHAFT LH).

NOTE: Remove the special tool before completely installing the halfshaft.

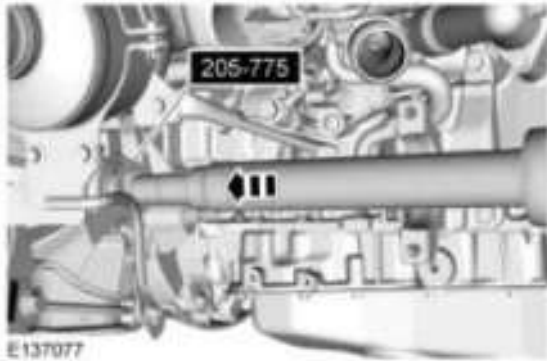


Fig. 103: Installing Halfshaft
Courtesy of FORD MOTOR CO.

16. *Special Tool(s)* : 205-775 (Protector, Halfshaft Seal)
17.

1. **NOTE:** **Make sure that a new component is installed.**

NOTE: **Make sure that a new component is installed.**

2. *Torque* : 6 Nm

NOTE: **Make sure that a new component is installed.**

3. *Torque* : 6 Nm

4. *Torque* : 25 Nm

5. *Torque* : 25 Nm

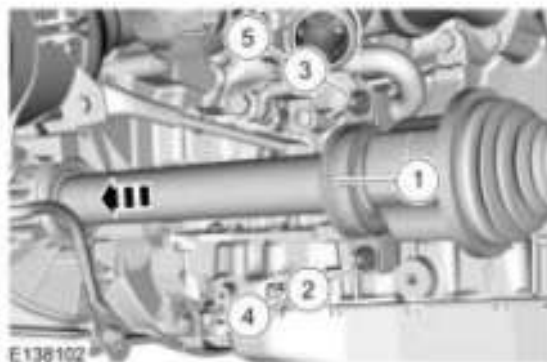
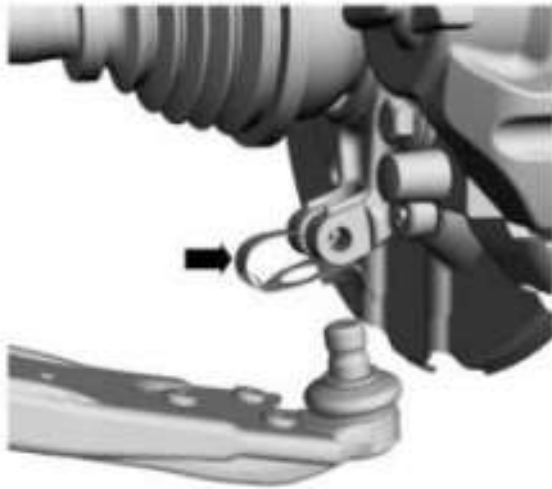


Fig. 104: Inserting Intermediate Shaft
Courtesy of FORD MOTOR CO.



E135832

18.

Fig. 105: Locating Wheel Knuckle Tie Strap
Courtesy of FORD MOTOR CO.



E153226

19.

Fig. 106: Installing Lower Arm And Wheel Knuckle
Courtesy of FORD MOTOR CO.

NOTE: Make sure that a new bolt is installed.



E97635

Fig. 107: Locating Lower Control Arm Bolts And Nuts
Courtesy of FORD MOTOR CO.

20. Torque : 83 Nm

21.

1. *Torque* : 85 Nm
2. *Torque* : 48 Nm

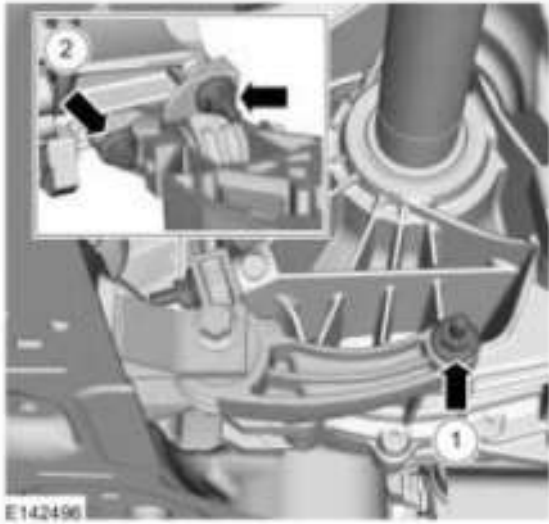


Fig. 108: Locating Transmission Support Bracket Nuts
Courtesy of FORD MOTOR CO.

22.
 1. *Torque* :
Stage 1: 30 Nm
Stage 2: 270°
 2. *Torque* : 85 Nm



Fig. 109: Identifying Transmission Mounting Bolts
Courtesy of FORD MOTOR CO.

23. *Torque* : 25 Nm

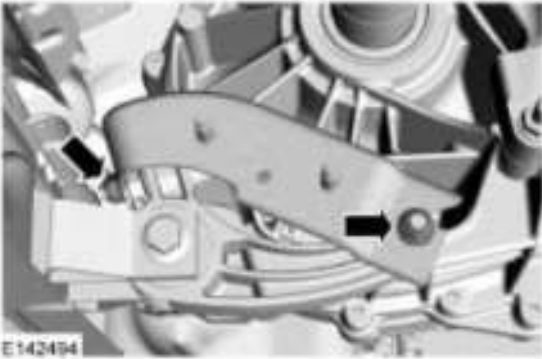


Fig. 110: Locating Transmission Bracket Nuts
Courtesy of FORD MOTOR CO.

- 24.
1. If equipped.

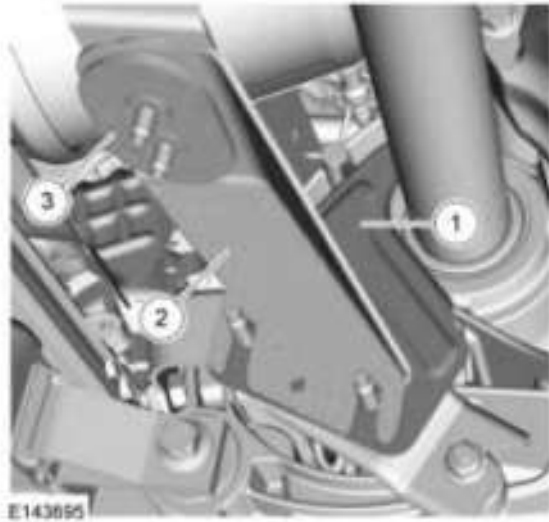


Fig. 111: Identifying Transmission Support Bracket
Courtesy of FORD MOTOR CO.

- 25.
1. *Torque* : 25 Nm
 2. *Torque* : 24 Nm

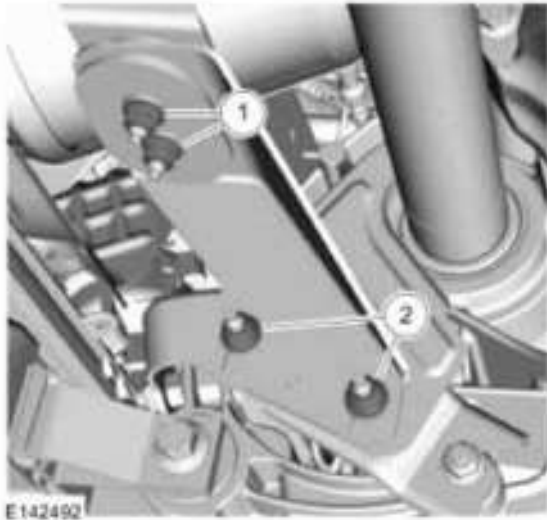


Fig. 112: Identifying Transmission Support Bracket Nuts
 Courtesy of FORD MOTOR CO.

- 26.
1. Torque : 10 Nm
 2. Torque : 5 Nm

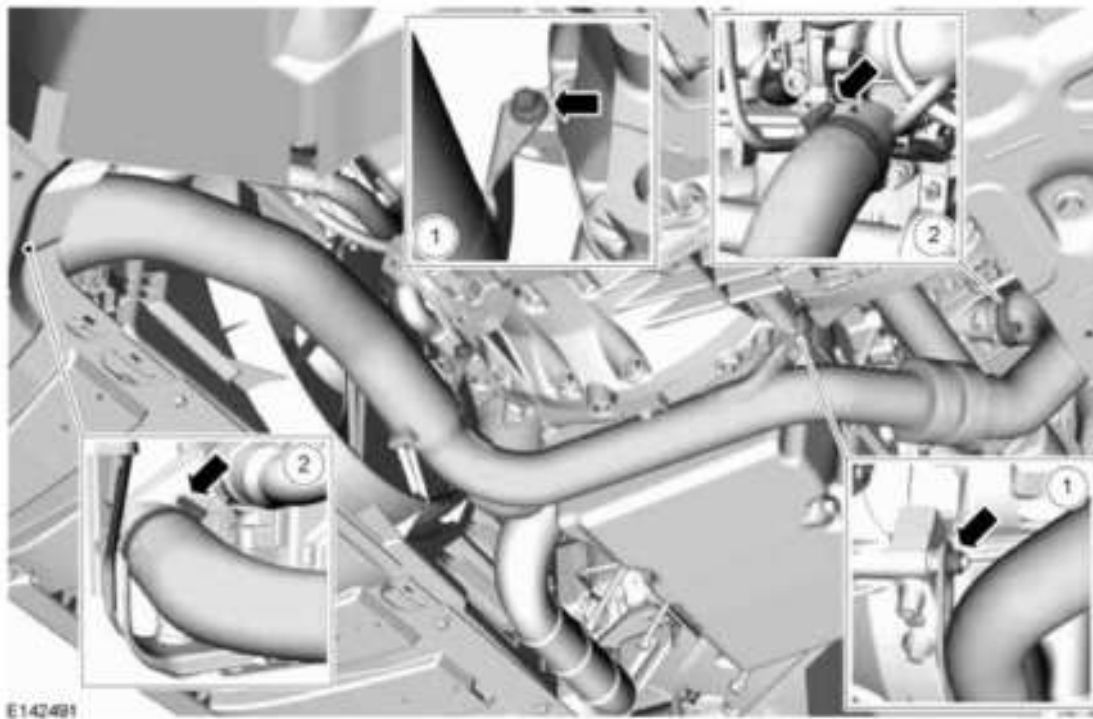


Fig. 113: Locating Turbocharger Hoses Clamps And Bolts
 Courtesy of FORD MOTOR CO.

- 27.
1. If equipped.
 2. If equipped.

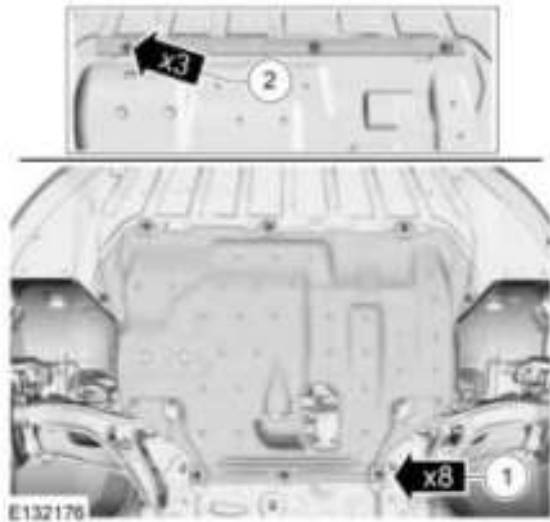


Fig. 114: Locating Engine Lower Cover Fasteners
Courtesy of FORD MOTOR CO.

28. Lower the Vehicle.
29. *Torque* : 40 Nm

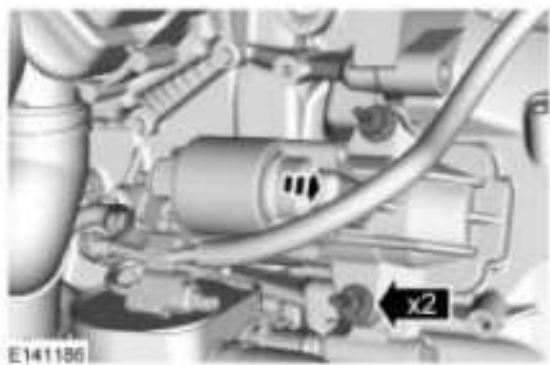


Fig. 115: Locating Starter Mounting Nuts
Courtesy of FORD MOTOR CO.

30. *Torque* : 25 Nm

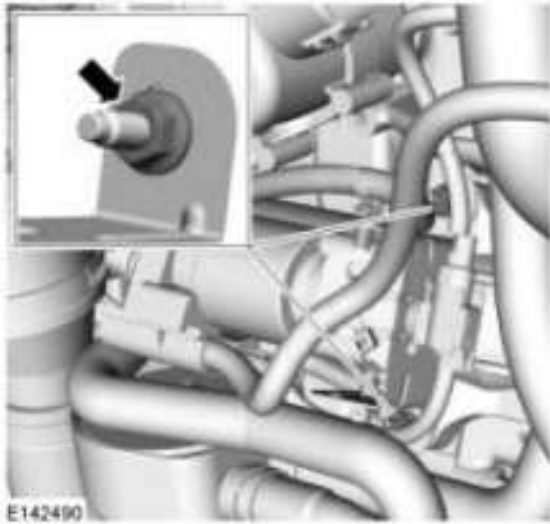


Fig. 116: Locating Transmission Hose Bracket Bolts
Courtesy of FORD MOTOR CO.

31. *Torque* : 48 Nm

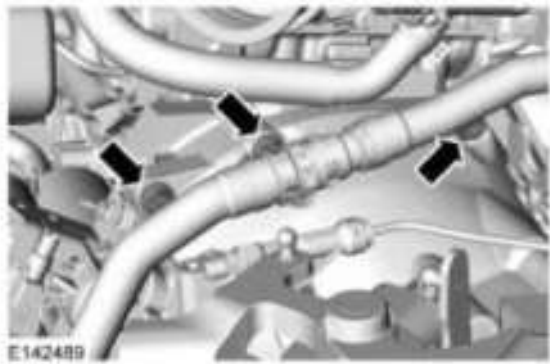


Fig. 117: Locating Transmission Bolts
Courtesy of FORD MOTOR CO.

32. *Torque* : 25 Nm

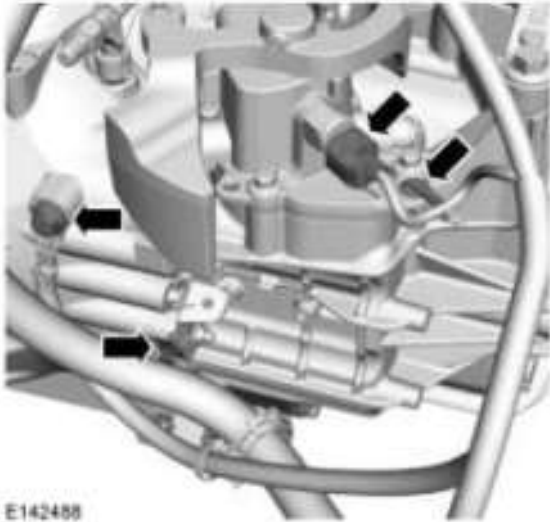
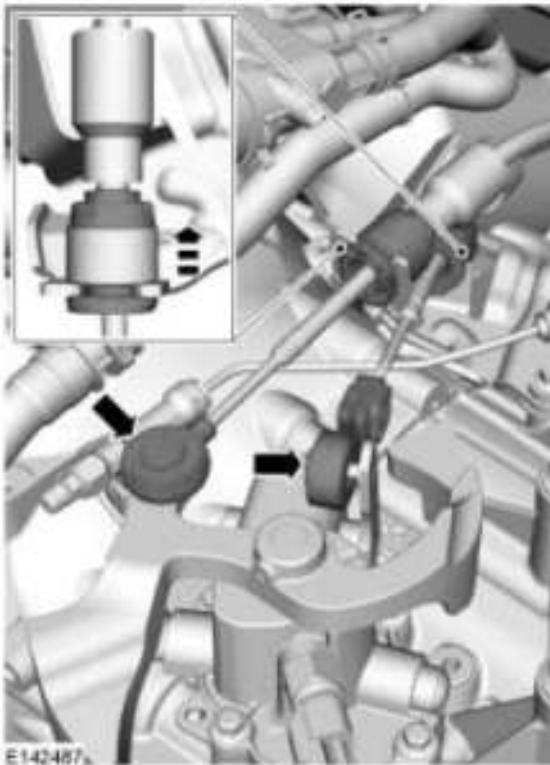


Fig. 118: Locating Selector Cable Connector And Ground Terminal Bolt
Courtesy of FORD MOTOR CO.



33.

Fig. 119: Locating Selector Cable End
Courtesy of FORD MOTOR CO.

34. Refer to: **Gearshift Cable Adjustment - Vehicles With: 6-Speed Manual Transmission - MMT6 (GEARSHIFT CABLE ADJUSTMENT - VEHICLES WITH: 6-SPEED MANUAL TRANSMISSION - MMT6)**.
35. *Torque* : 48 Nm

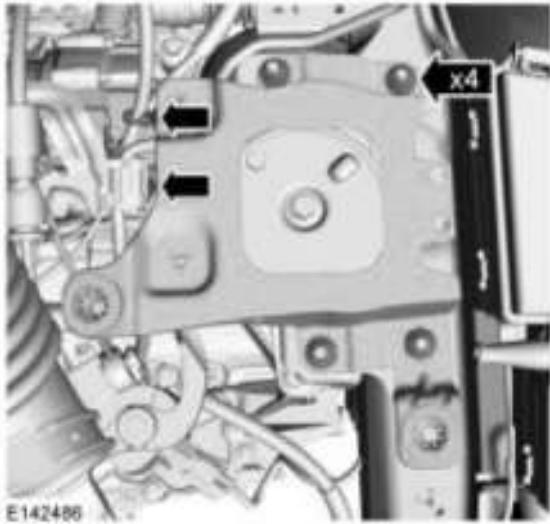


Fig. 120: Locating Selector Cable Clamp And Connector
Courtesy of FORD MOTOR CO.

36. *Torque* : 10 Nm

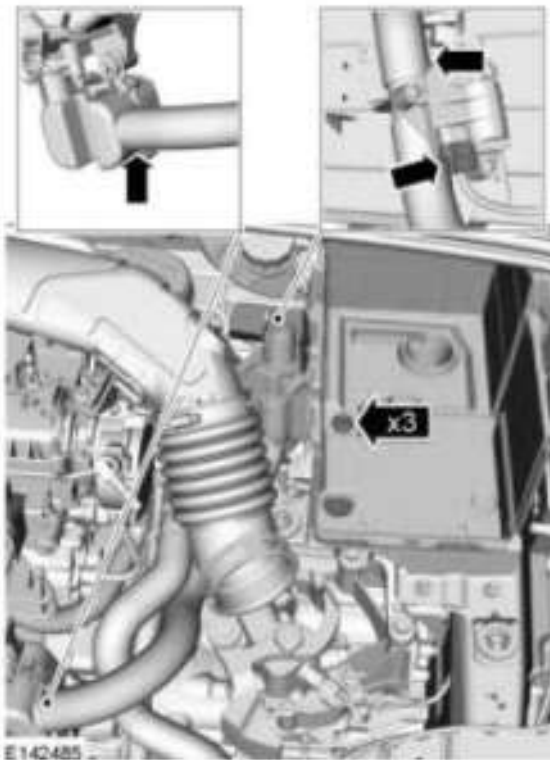
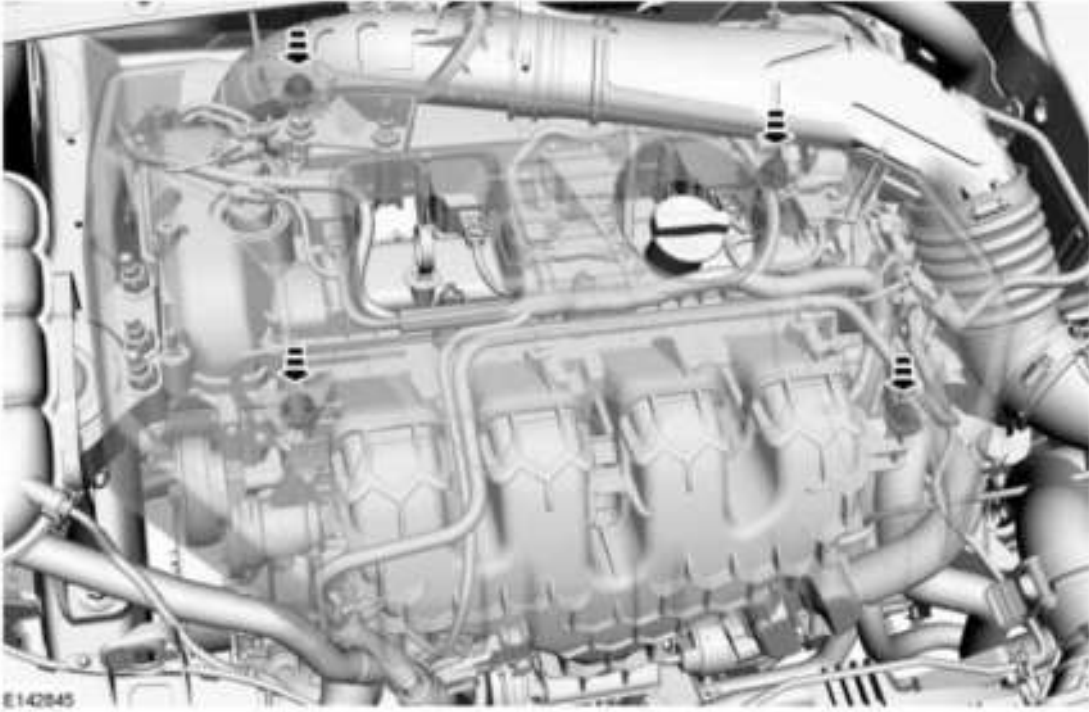


Fig. 121: Identifying Transmission Unit Sensor Connector And Hose
Courtesy of FORD MOTOR CO.

37. Refer to: **Battery** (**BATTERY**).

Refer to: **Air Cleaner** (**AIR CLEANER**).



38.

Fig. 122: Installing Engine Upper Cover Bolts
Courtesy of FORD MOTOR CO.