

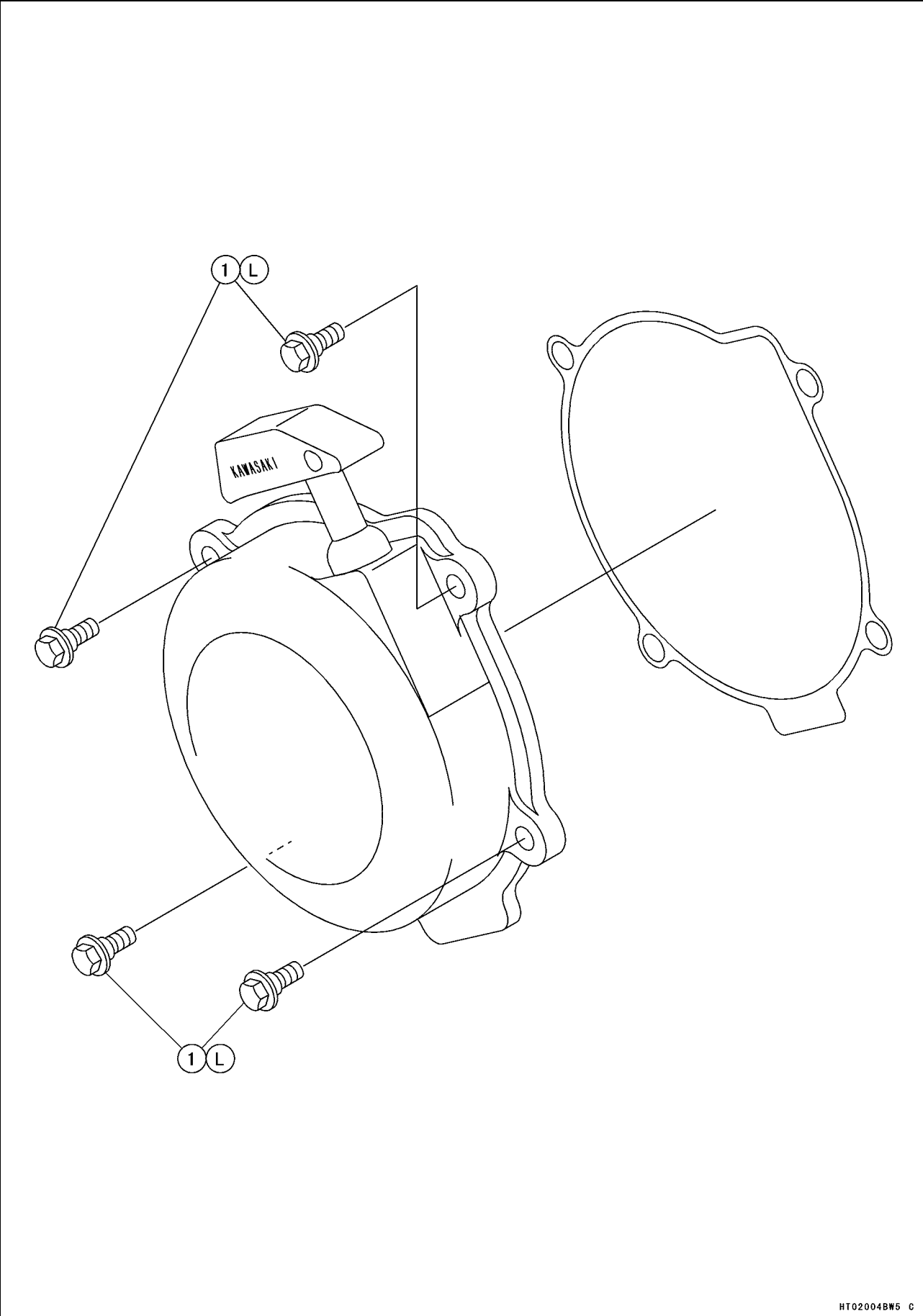
# Recoil Starter

## Table of Contents

Exploded View .....	7-2
Recoil Starter .....	7-4
Recoil Starter Removal .....	7-4
Recoil Starter Installation .....	7-4
Recoil Starter Inspection .....	7-4

# 7-2 RECOIL STARTER

## Exploded View



## RECOIL STARTER 7-3

### Exploded View

No.	Fastener	Torque			Remarks
		N·m	kgf·m	ft·lb	
1	Recoil Starter Mounting Bolts	5.9	0.60	52 in·lb	L

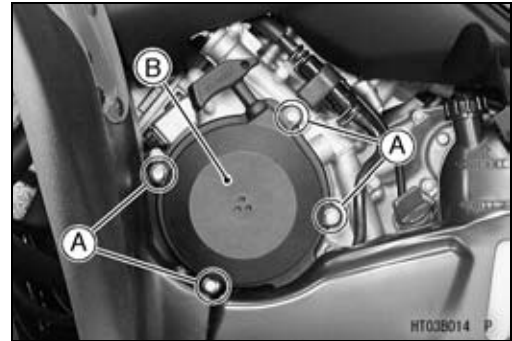
L: Apply a non-permanent locking agent.

## 7-4 RECOIL STARTER

### Recoil Starter

#### *Recoil Starter Removal*

- Remove:
  - Recoil Starter Mounting Bolts [A]
  - Recoil Starter [B]



#### *Recoil Starter Installation*

- Apply a non-permanent locking agent:
  - Recoil Starter Mounting Bolts
- Tighten:
  - Torque - Recoil Starter Mounting Bolts: 5.9 N·m (0.60 kgf·m, 52 in·lb)**

#### *Recoil Starter Inspection*

- Check the starter rope for excessive wear or fraying.