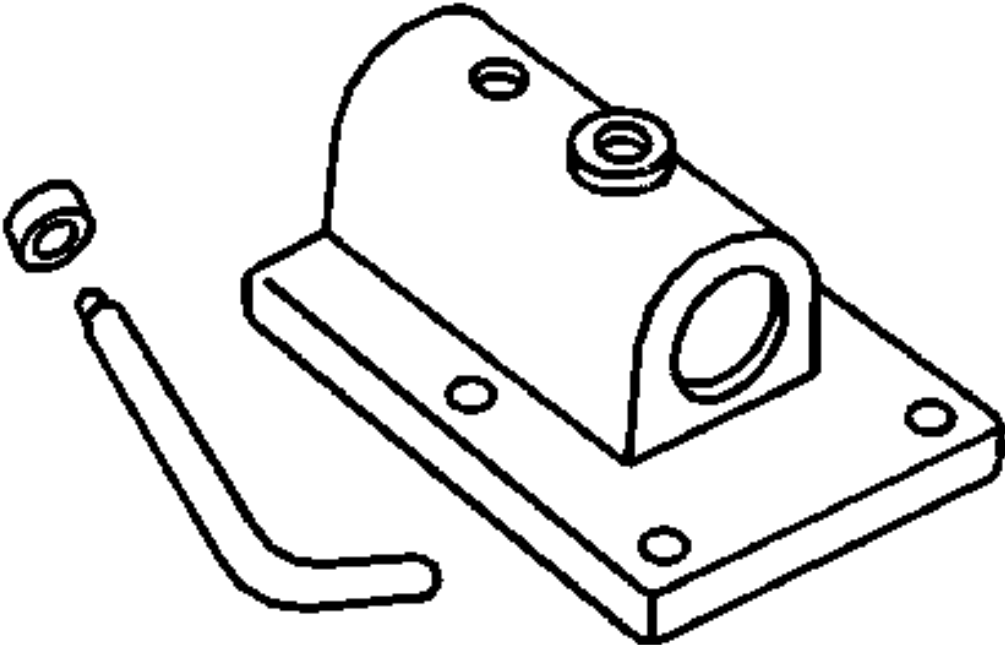


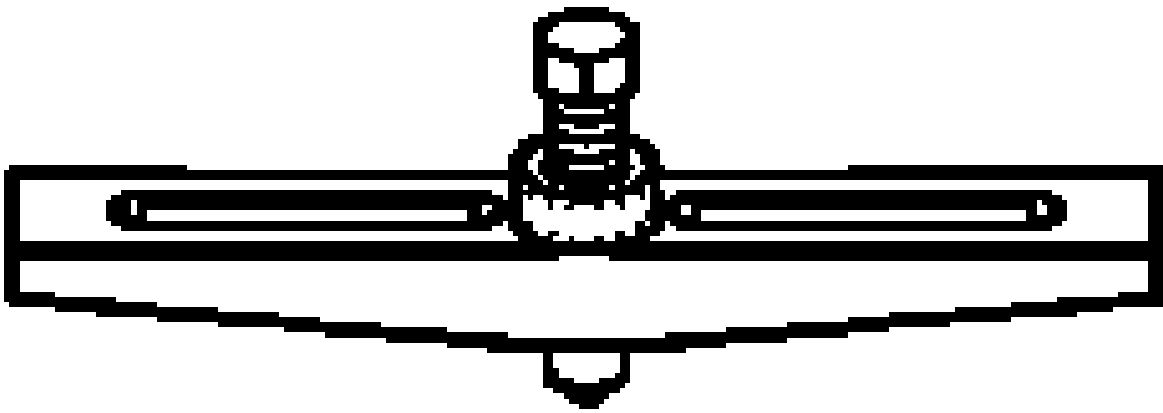
Transmission

Automatic Transmission - 6T70 (M7U M7W) - Special Tools and Equipment

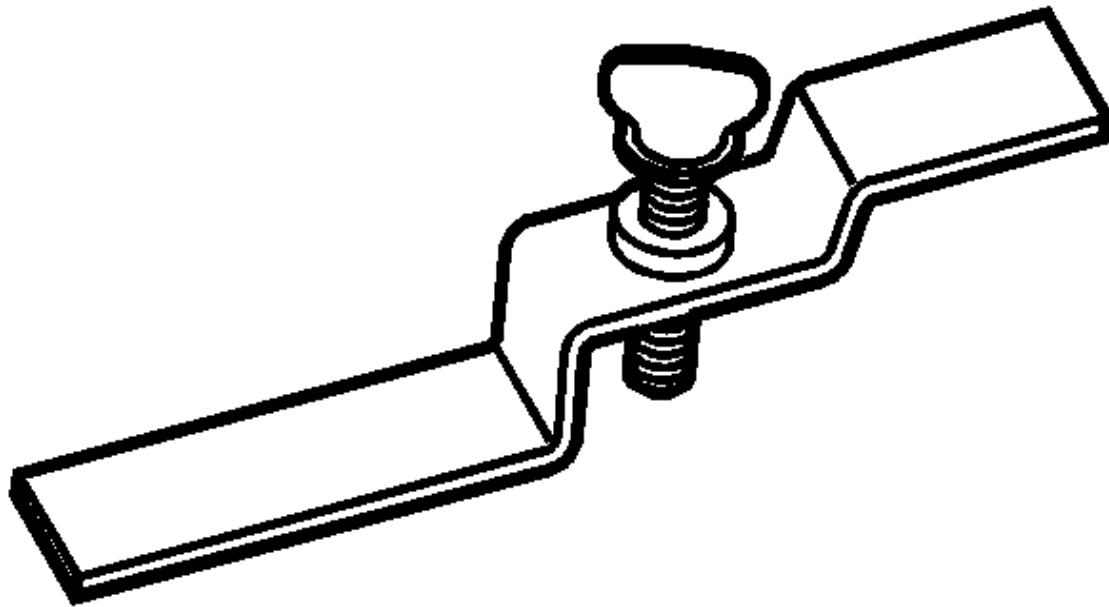
SPECIAL TOOLS AND EQUIPMENT

SPECIAL TOOLS

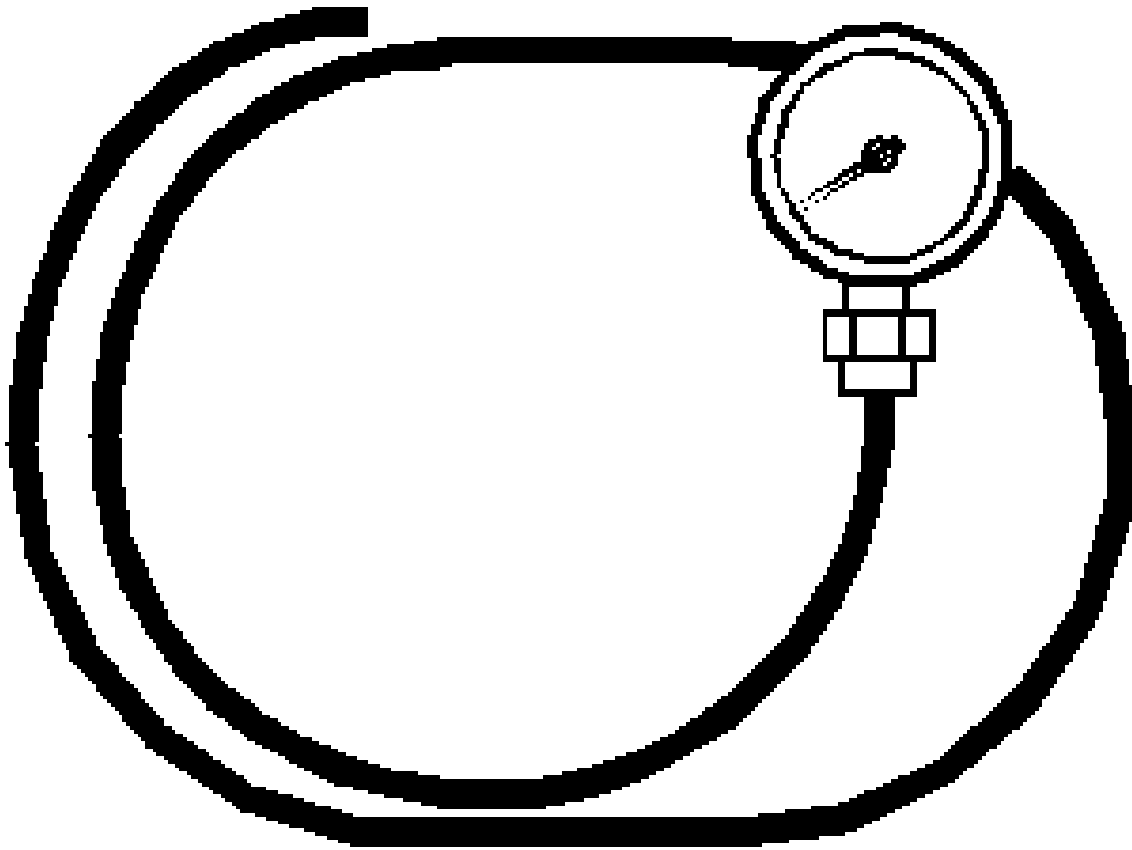
Illustration	Tool Number/Descrip
	<p>DT 3289-20 J 3289-20 KM-113-2-A Holding Fixtur</p>



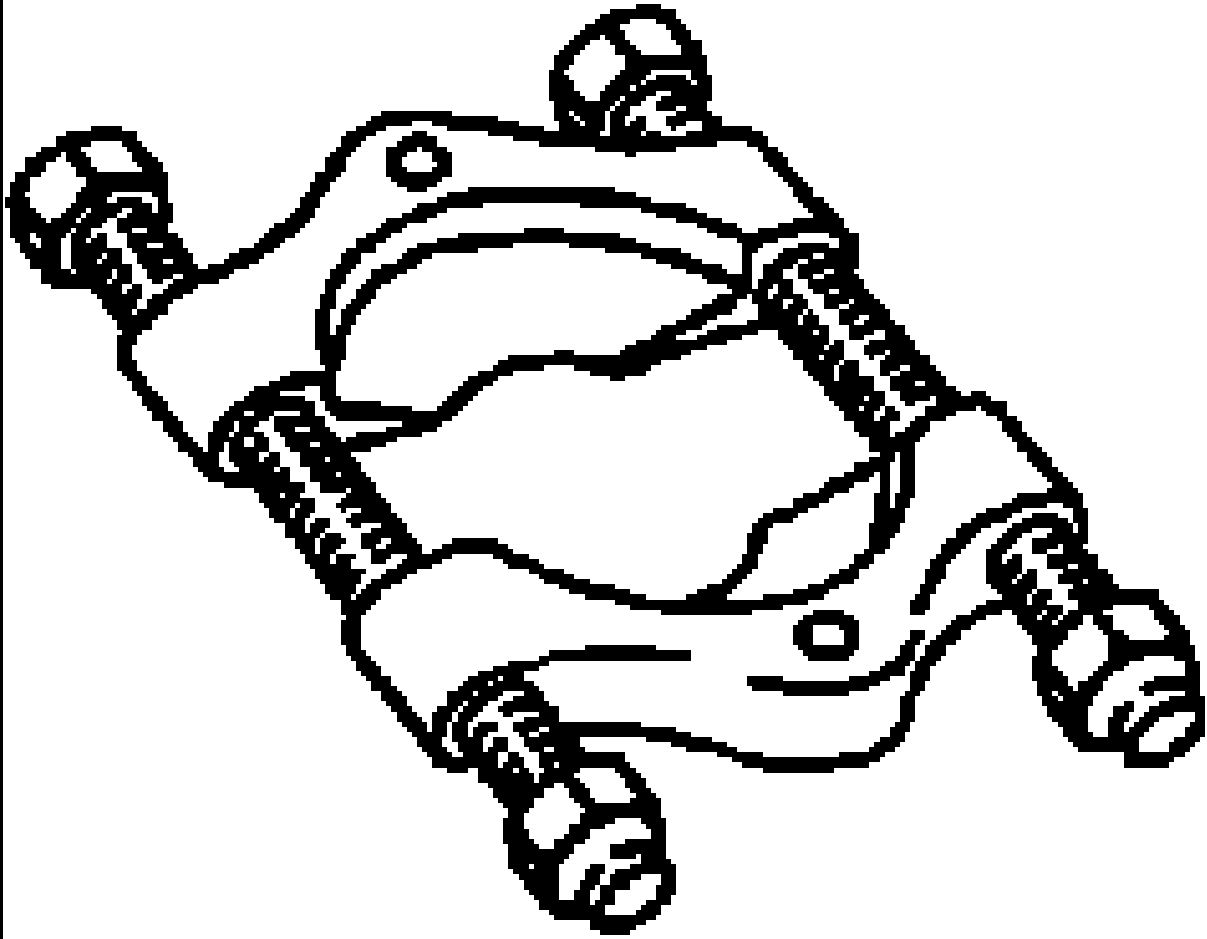
DT 8433-1
J 8433-1
Puller Bar



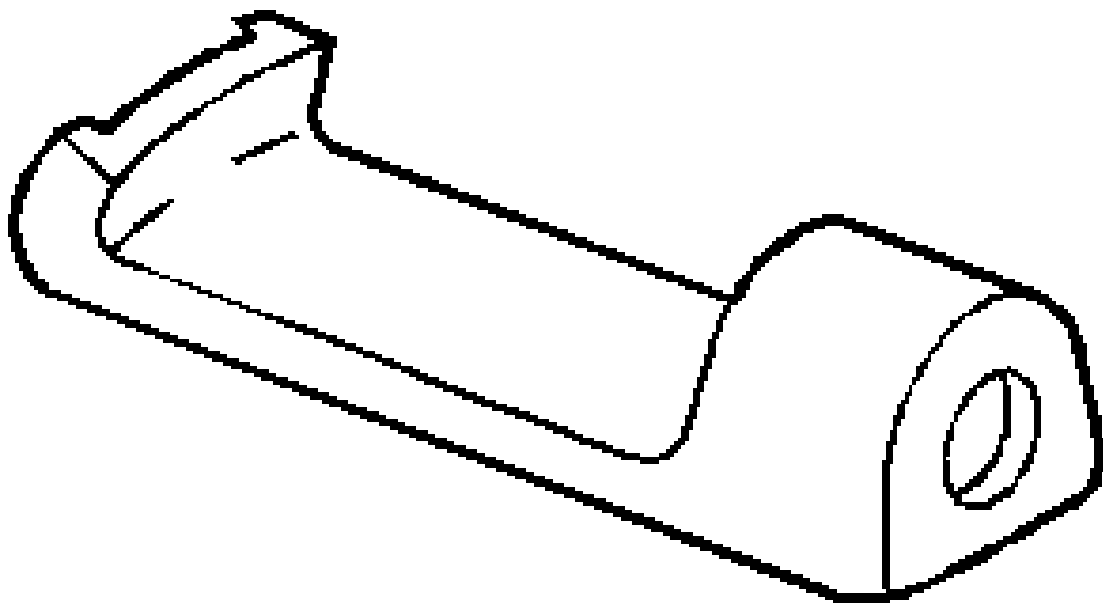
DT 21366
J 21366
Converter Holdi
Strap



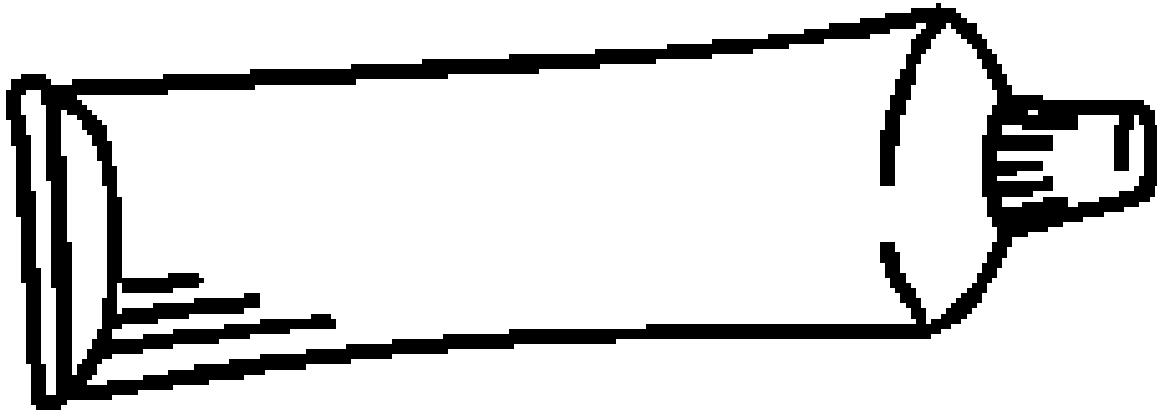
DT 21867-A
J 21867-A
Pressure Gaug



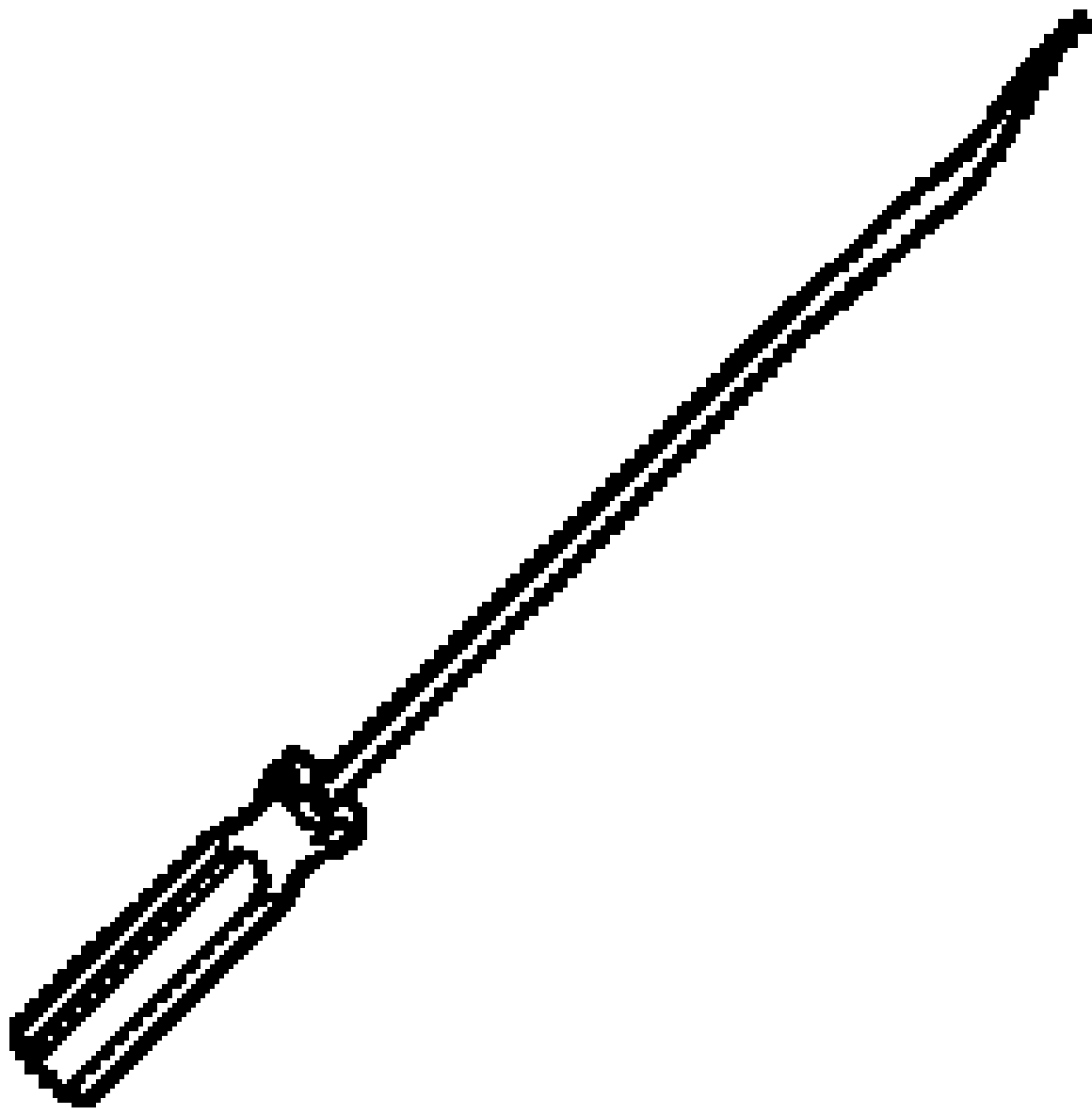
DT 22912-B
J 22912-B
Split Plate Bearing
Remover



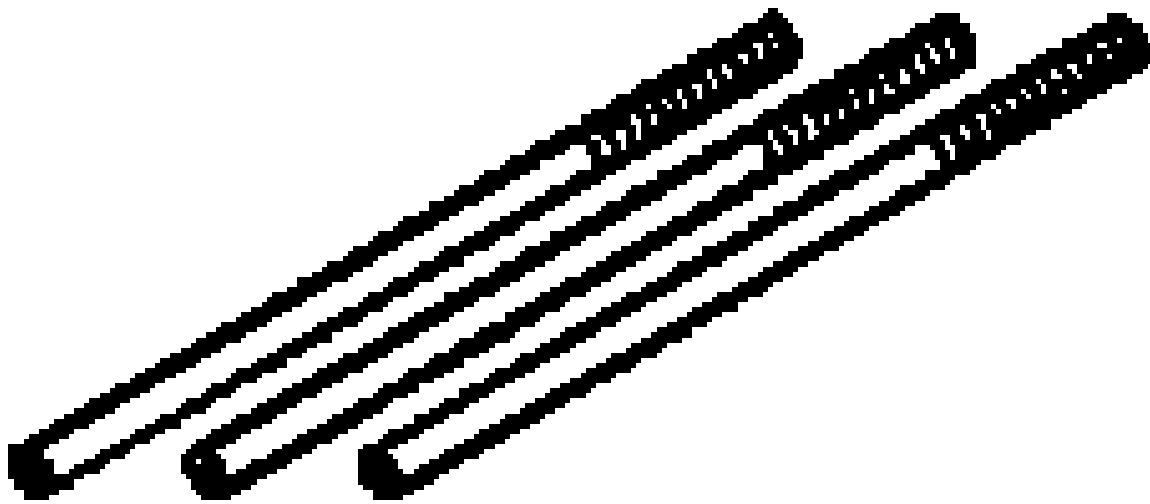
DT 23129
J 23129
KM-586
Universal Seal
Remover



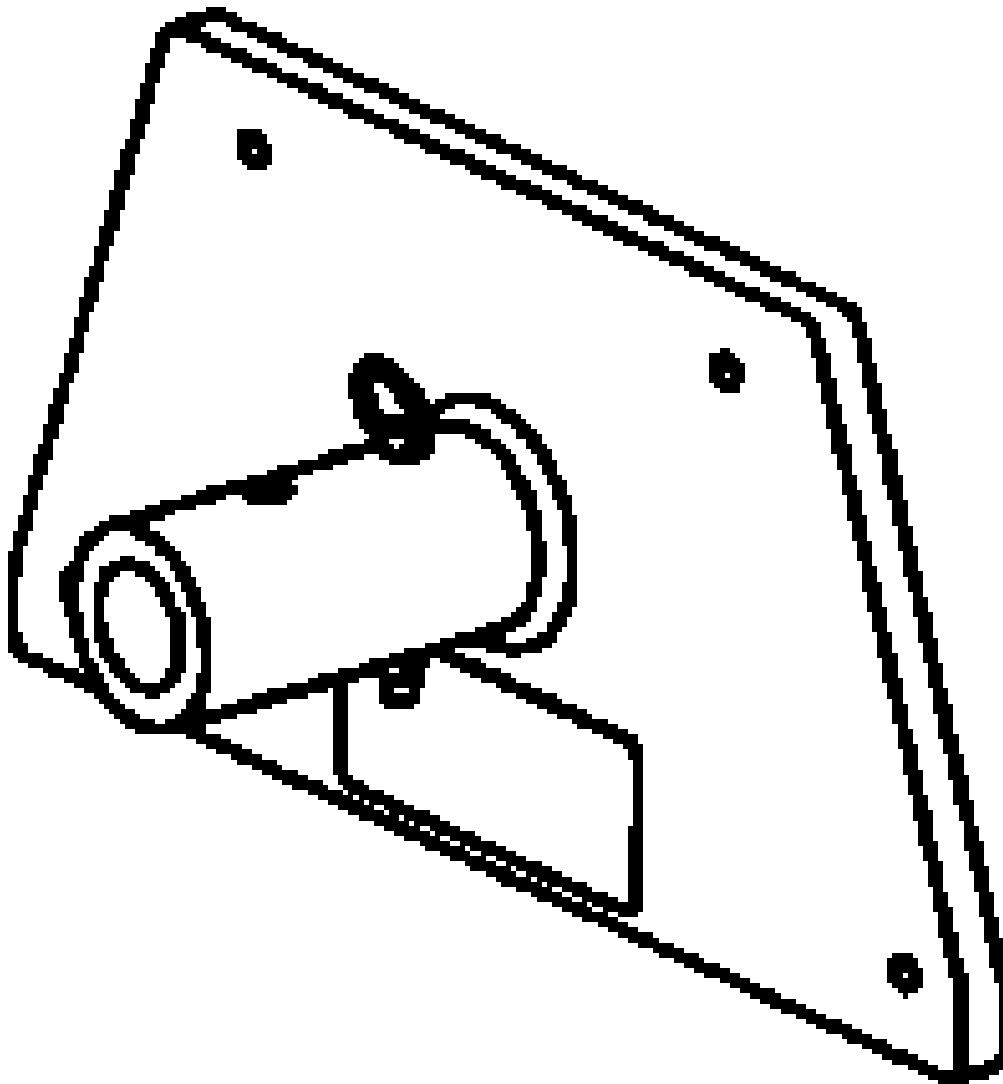
DT 23444-A
J 23444-A
Extreme Press
Lubricant-1/4 Ou
Tube



DT 28585
J 28585
Snap Ring Remo

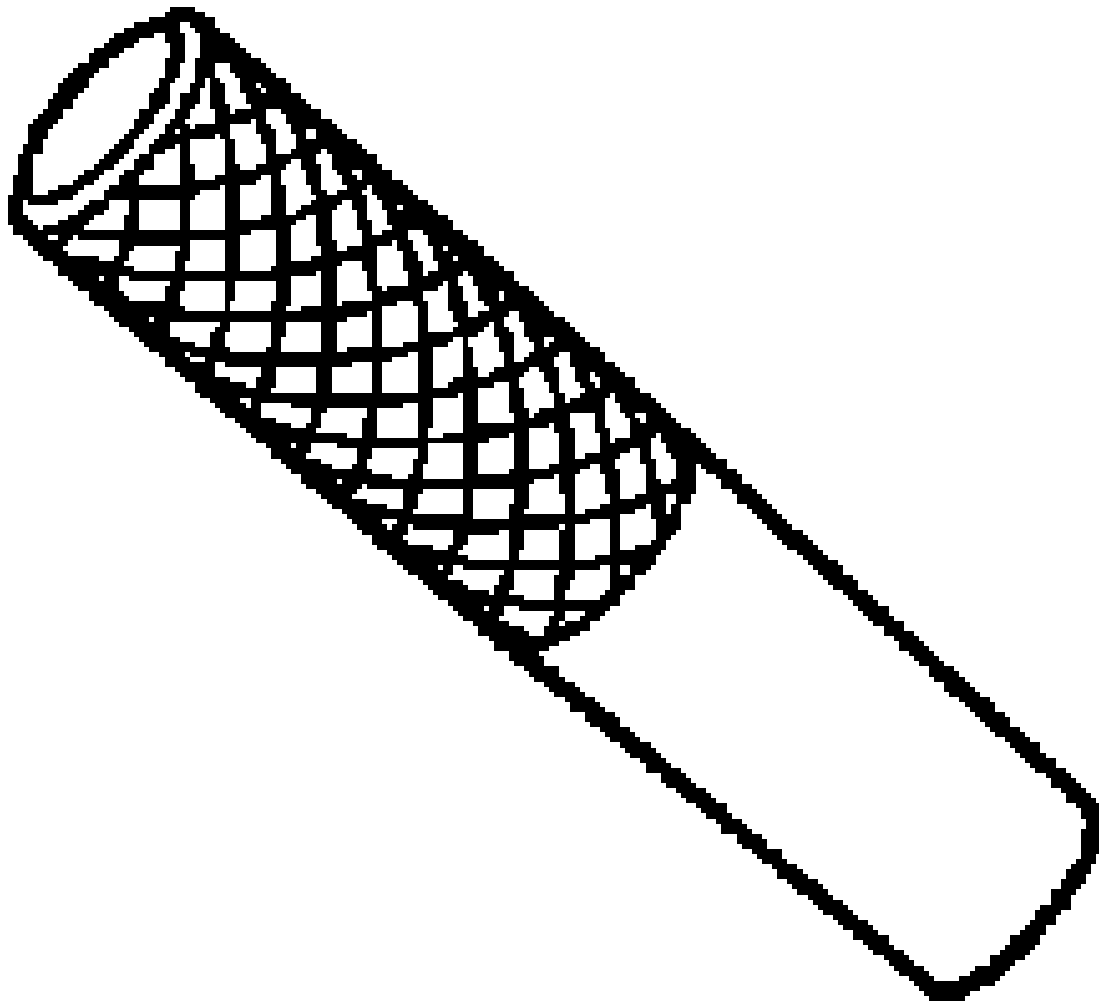


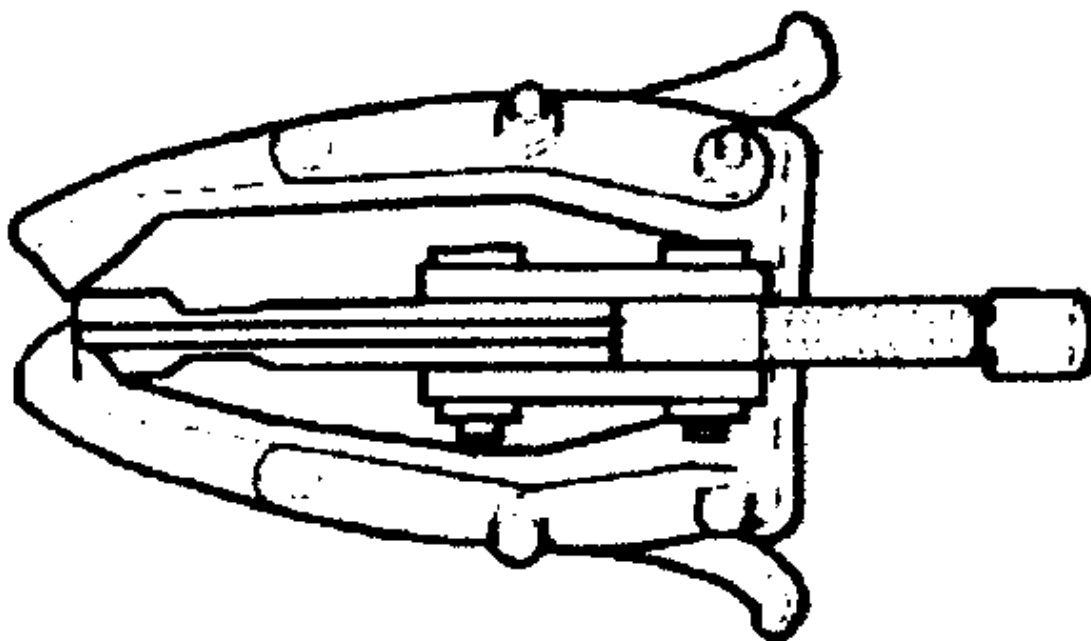
DT 39068
J 39068
Valve Body Gui
Pins (3)



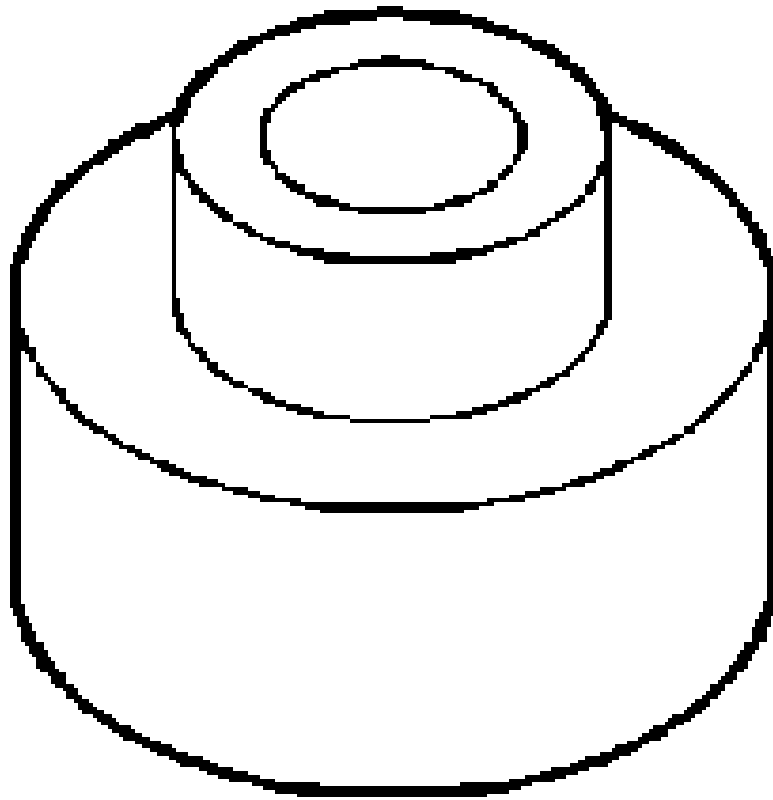
DT 39890
J 39890
Holding Fixtur
Adapter

DT 41229
J 41229
Manual Shaft P
Installer

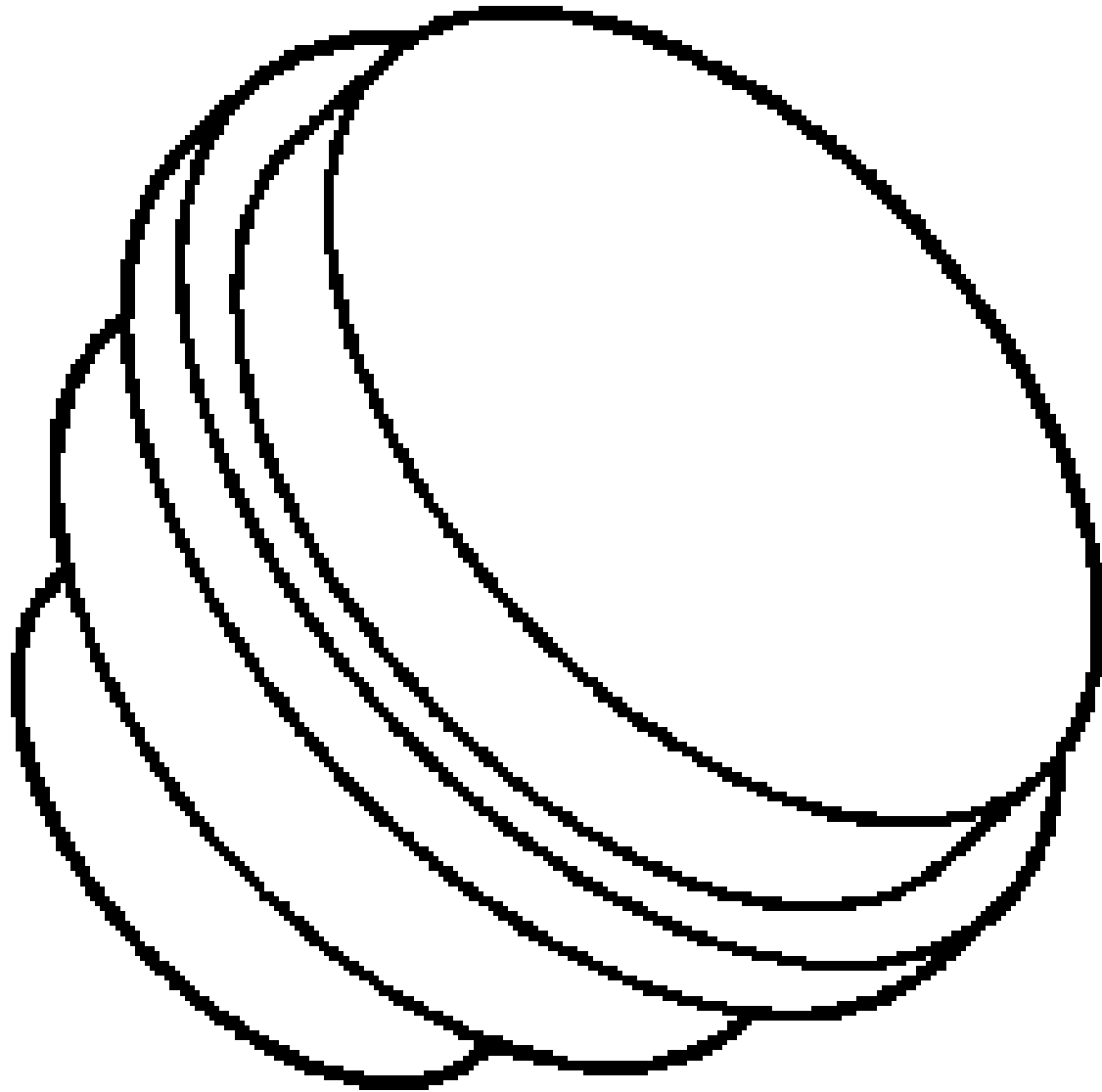




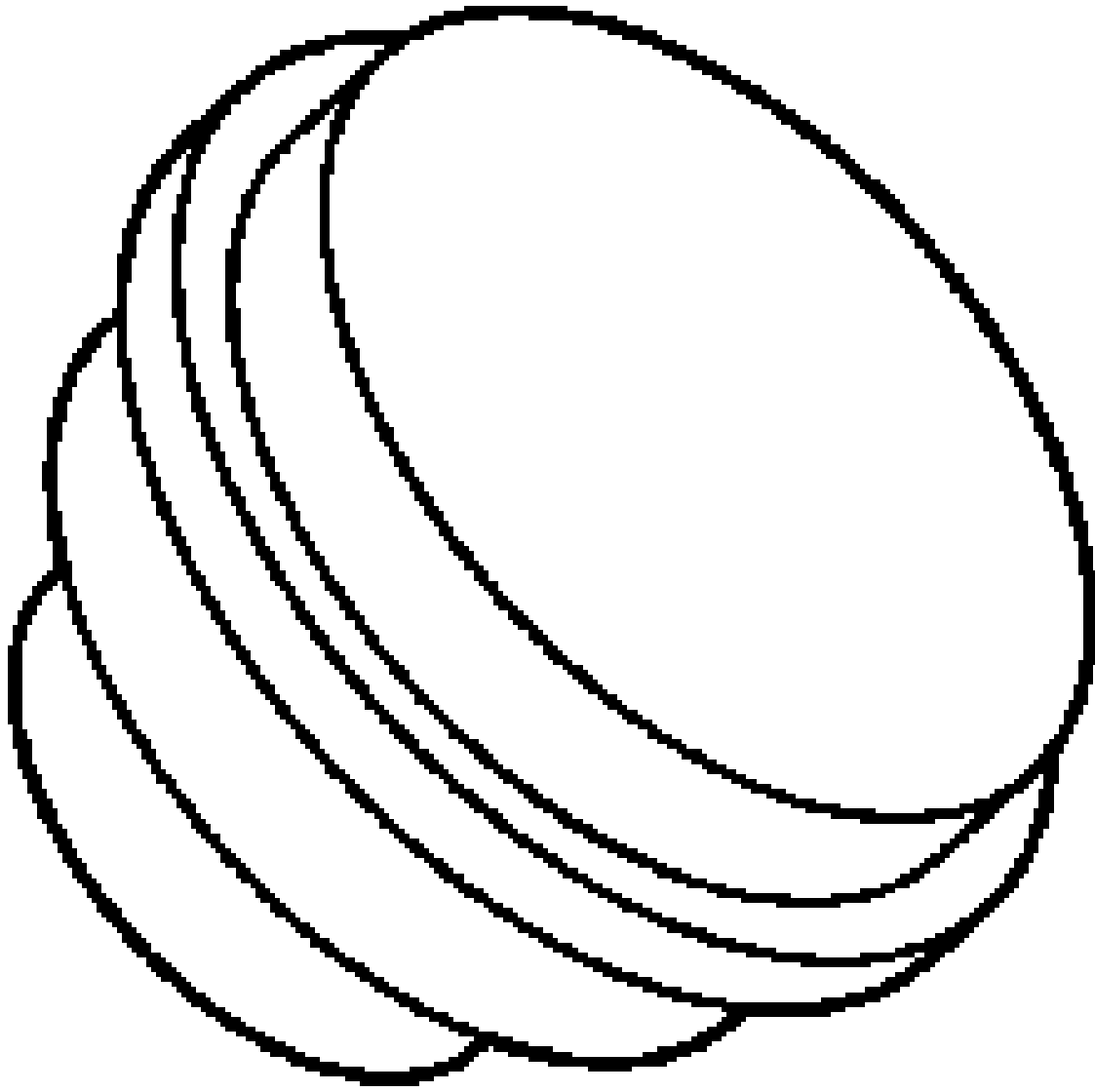
DT 41816
J 41816
Three Legged Pu



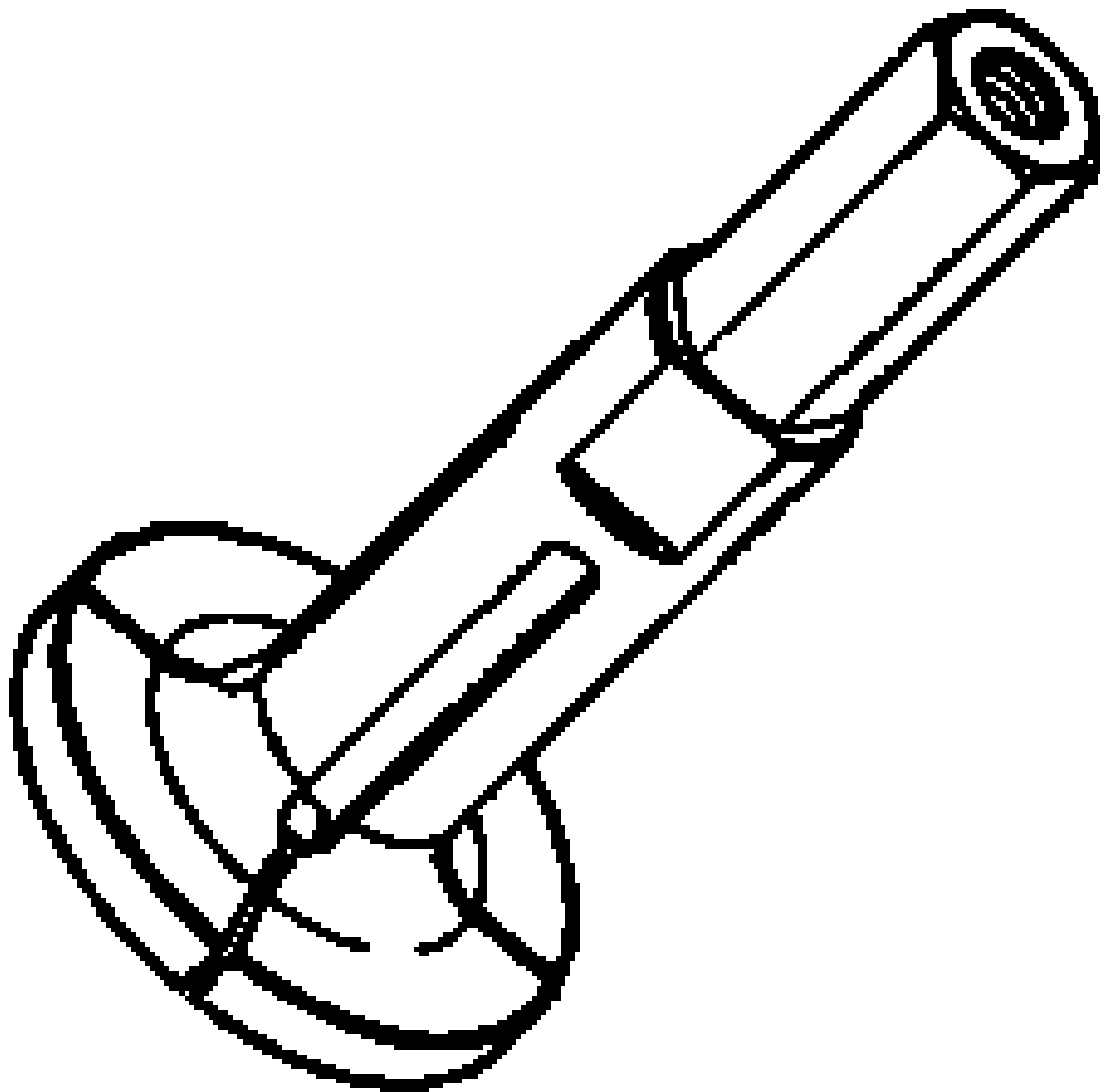
DT 41816-2
J 41816-2
Crankshaft End
Protector



DT 45087
J 45087
Bearing Cup Inst:



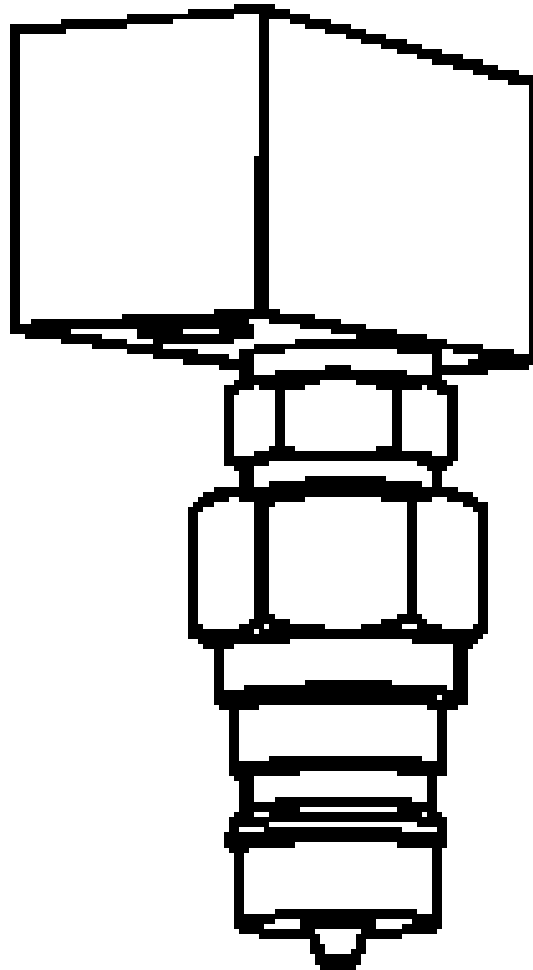
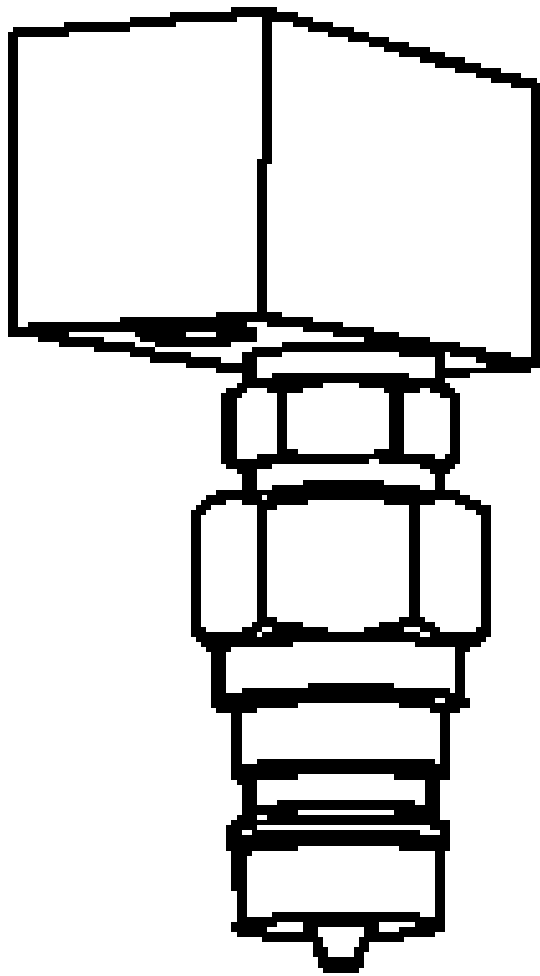
DT 45087-A
Bearing Cup Inst:



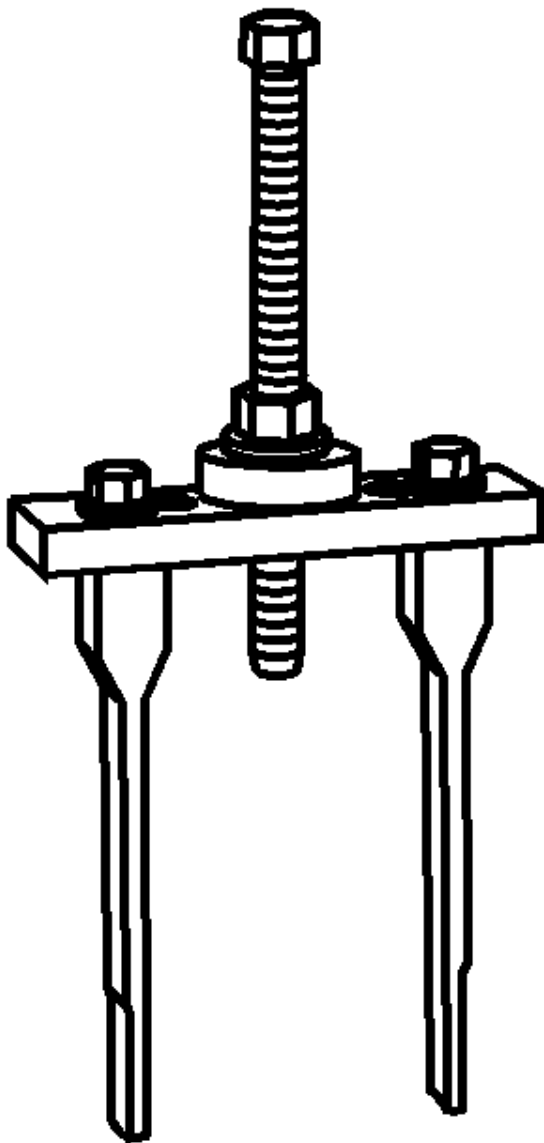
DT 45094
J 45094
Bearing Cup
Remover



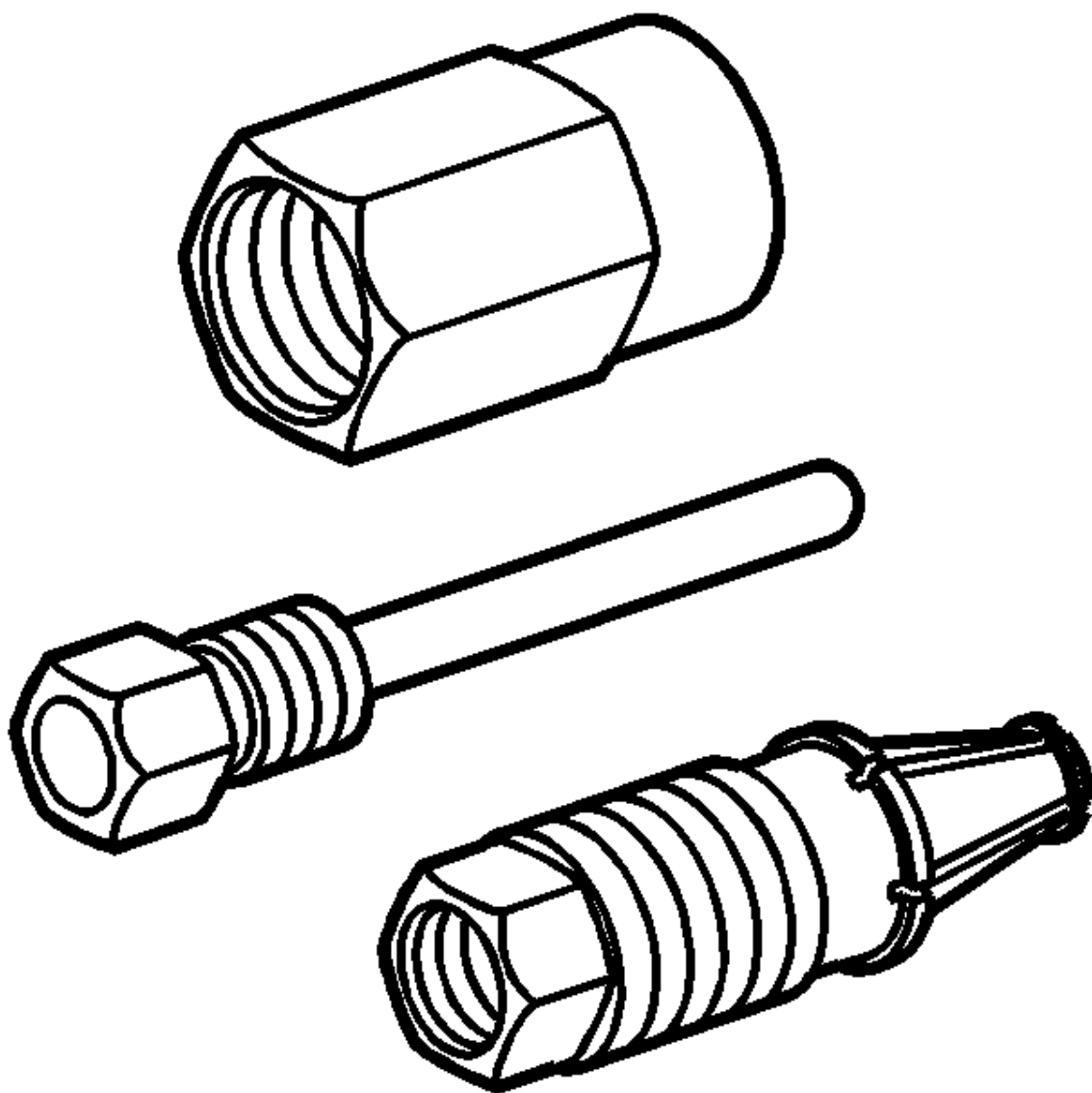
DT 45096
J 45096
Transmission C
Cooling Syster
Flush and Flow T
Tool



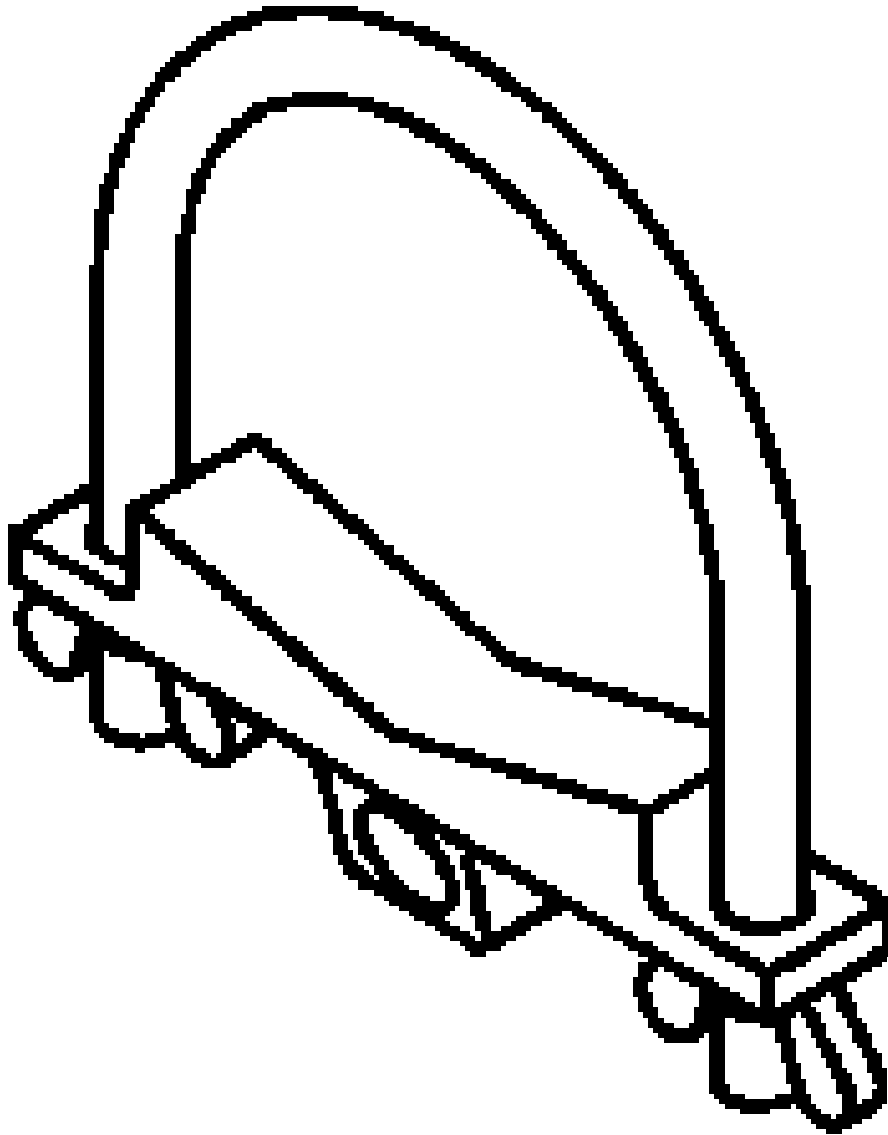
DT 45096-50
J 45096-50
Transmission Co.
Flush Adapter



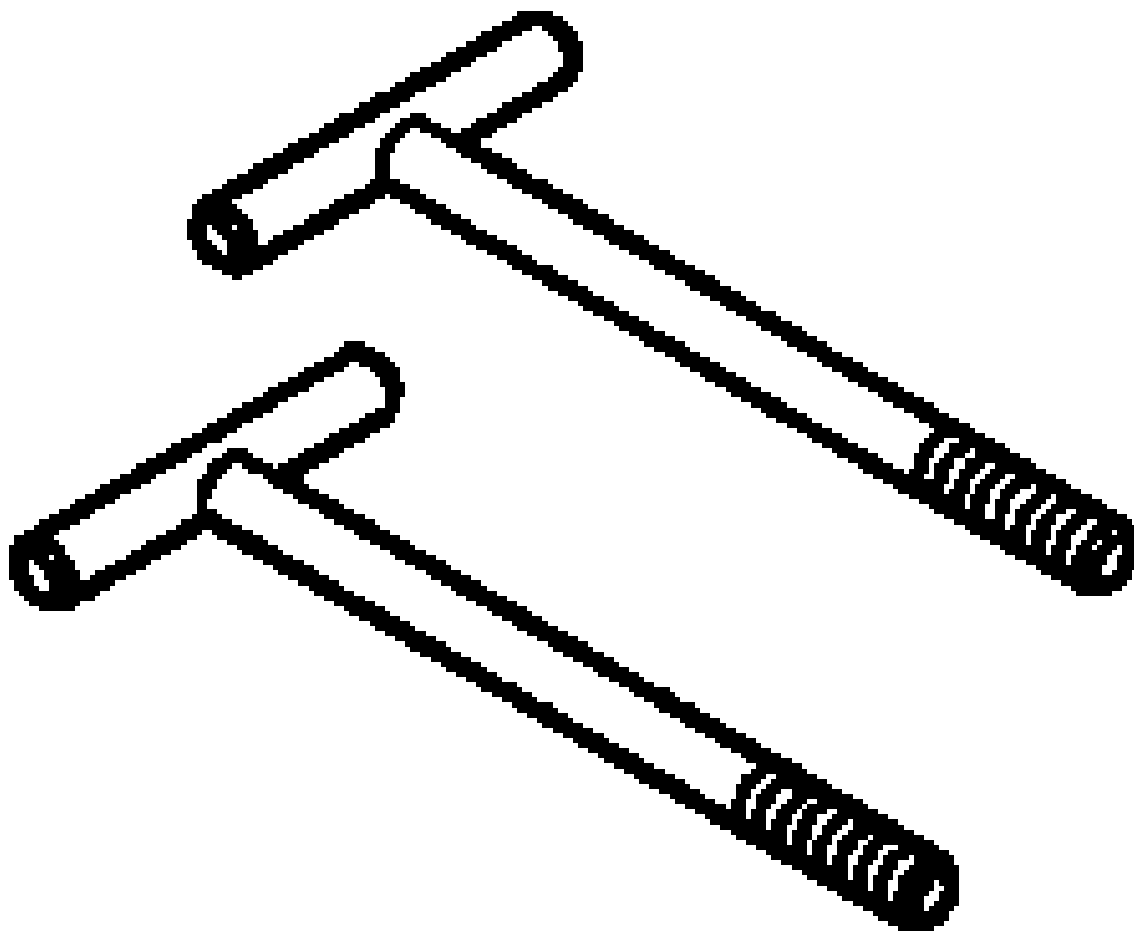
DT 45124
J 45124
Removal Bridg



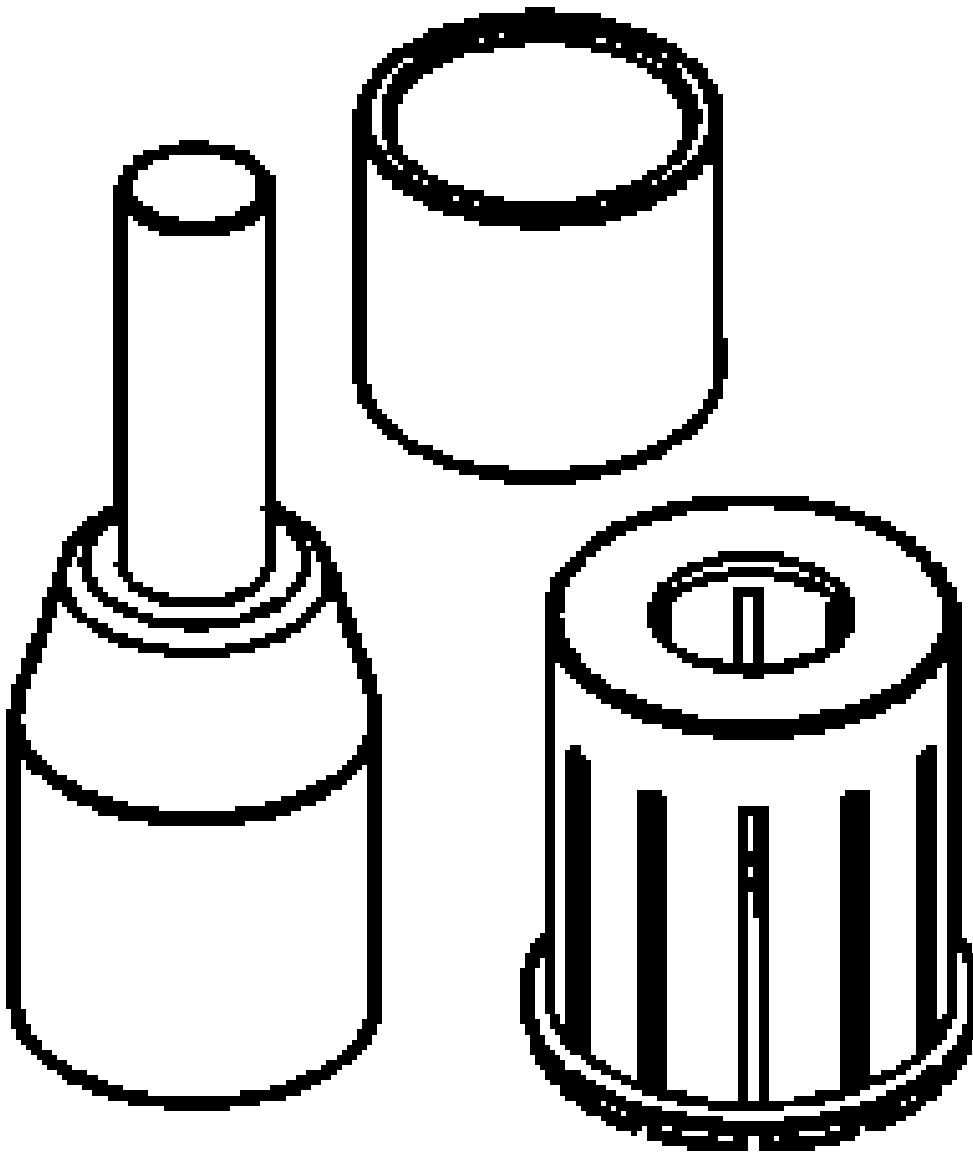
DT 45201
DT 48203
J 45201
Cooler Line Se.
Remover



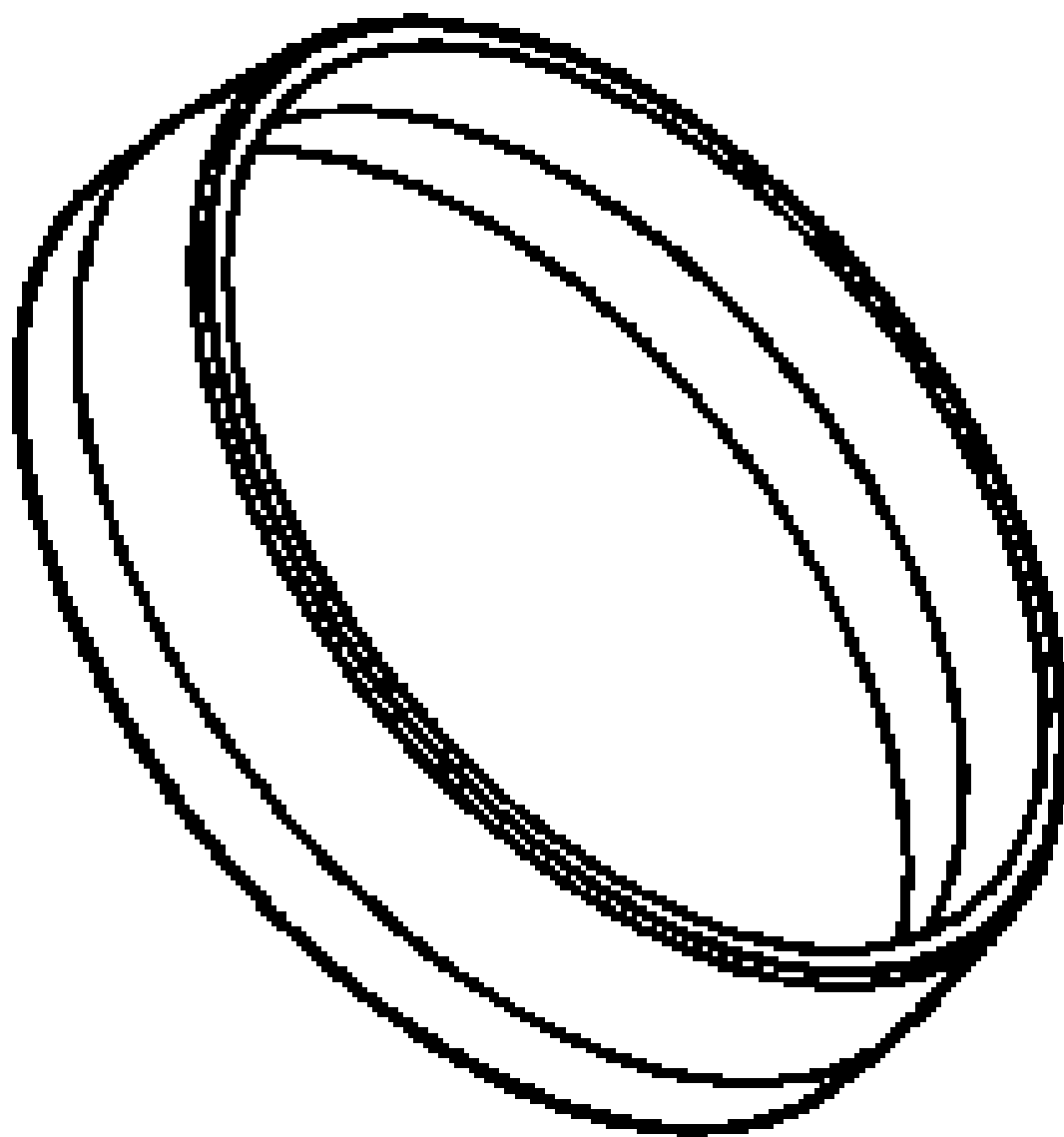
DT 45341
J 45341
Rear Wheel Dri
Shaft Removal T



DT 46409
J 46409
KM-922
Torque Convert
Lifting Handle

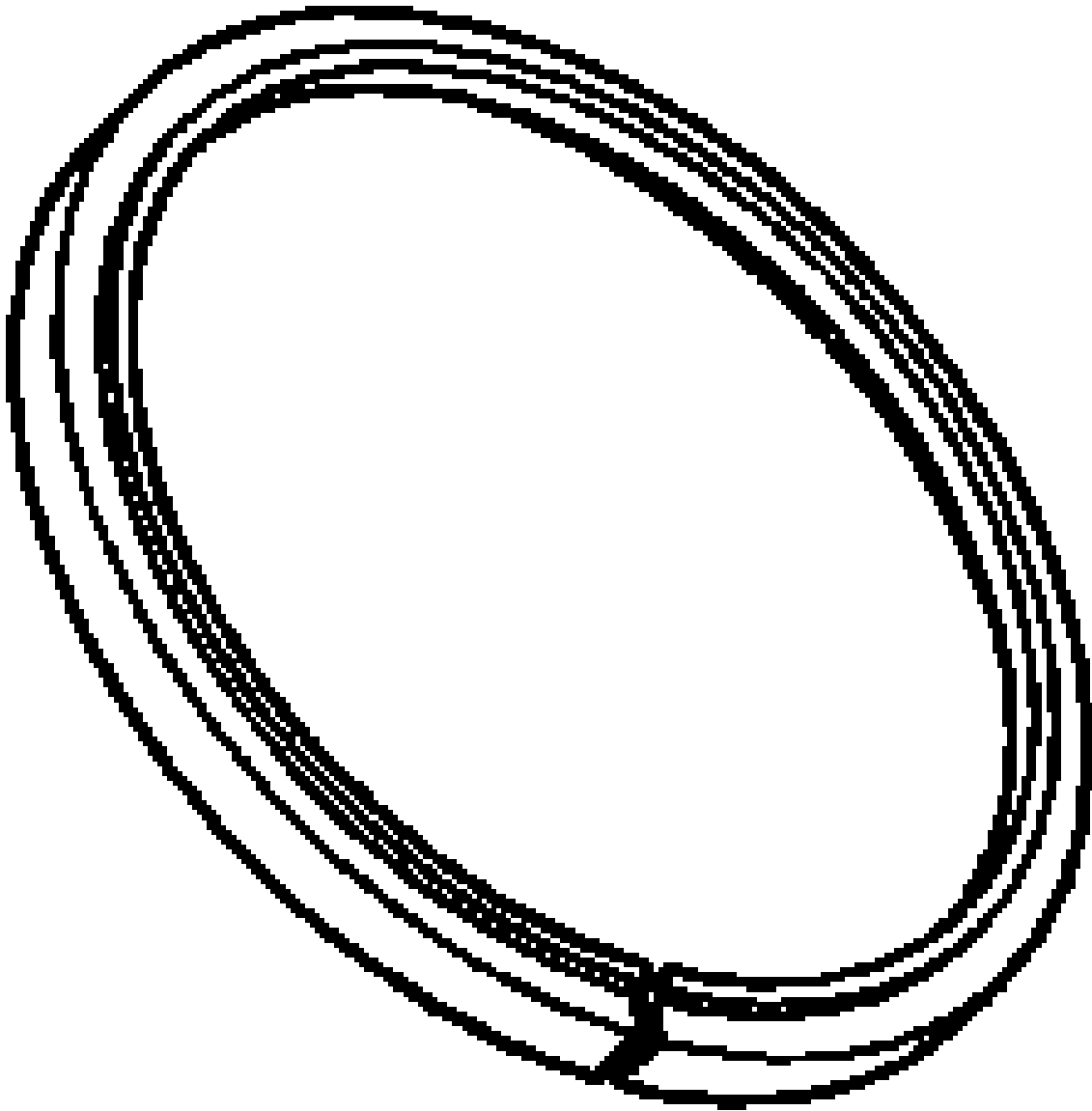


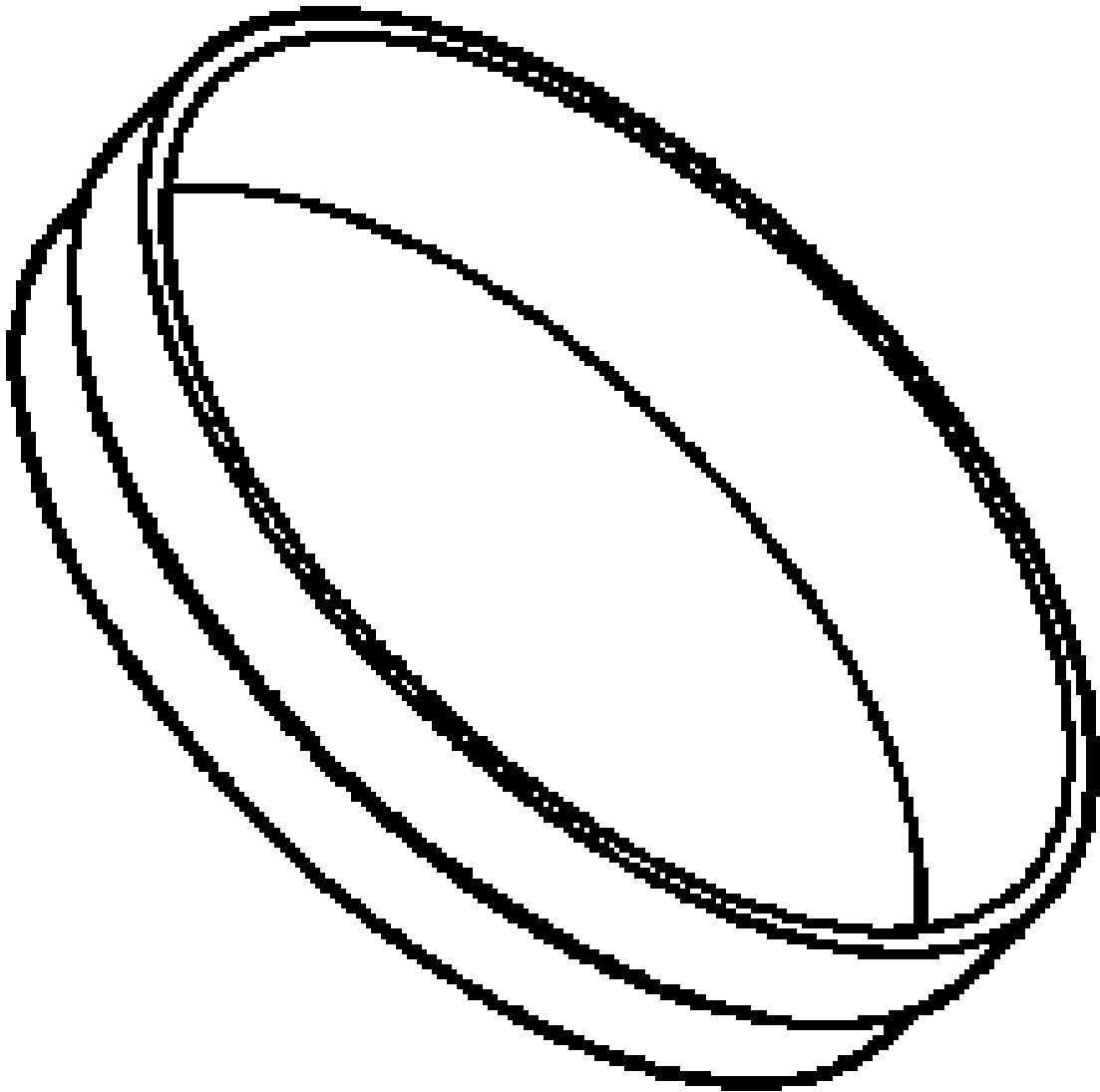
DT 46620
J 46620
Seal Installer



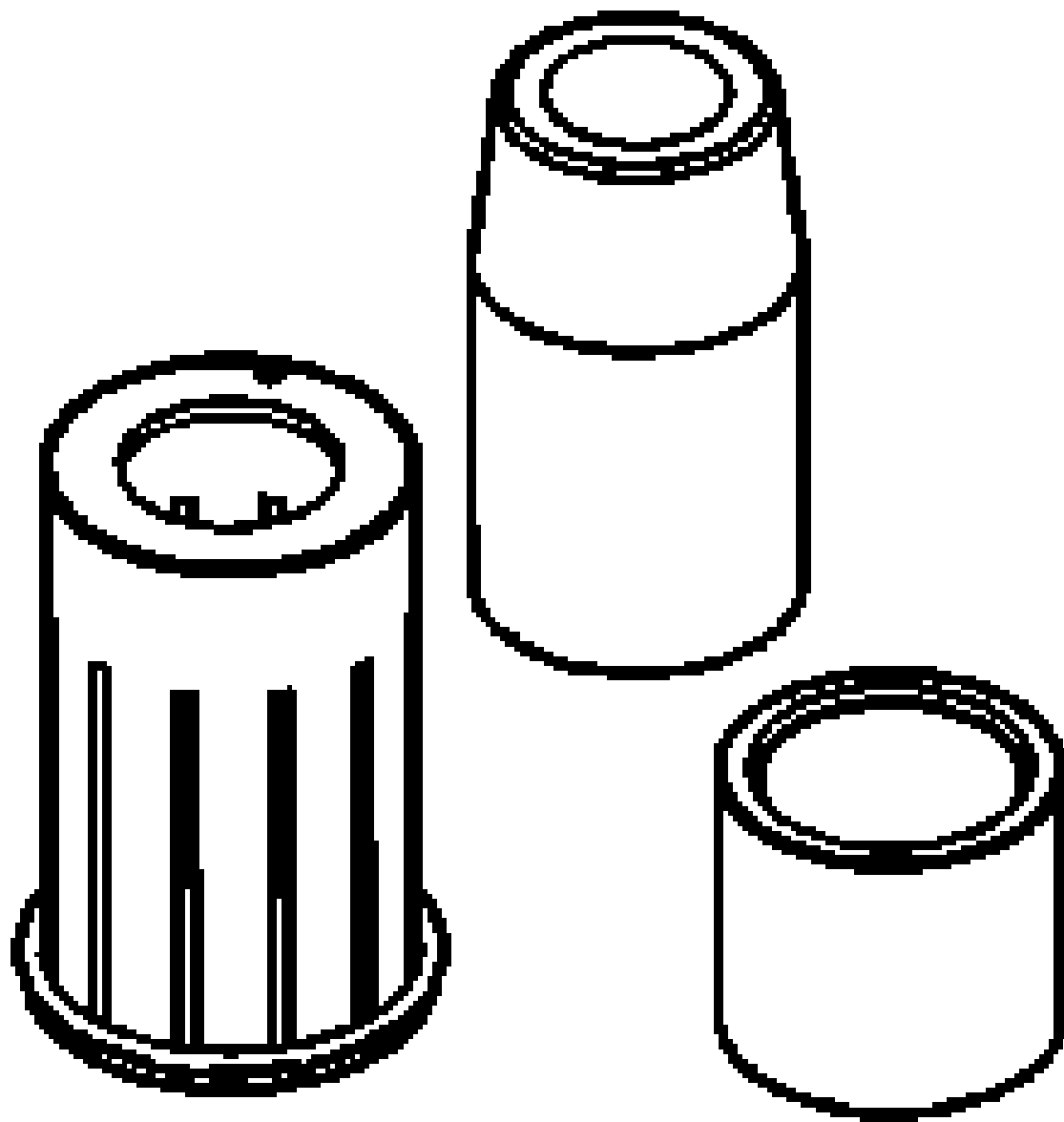
DT 46621
J 46621
Piston Seal Prote

DT 46622
J 46622
Piston Seal Prote

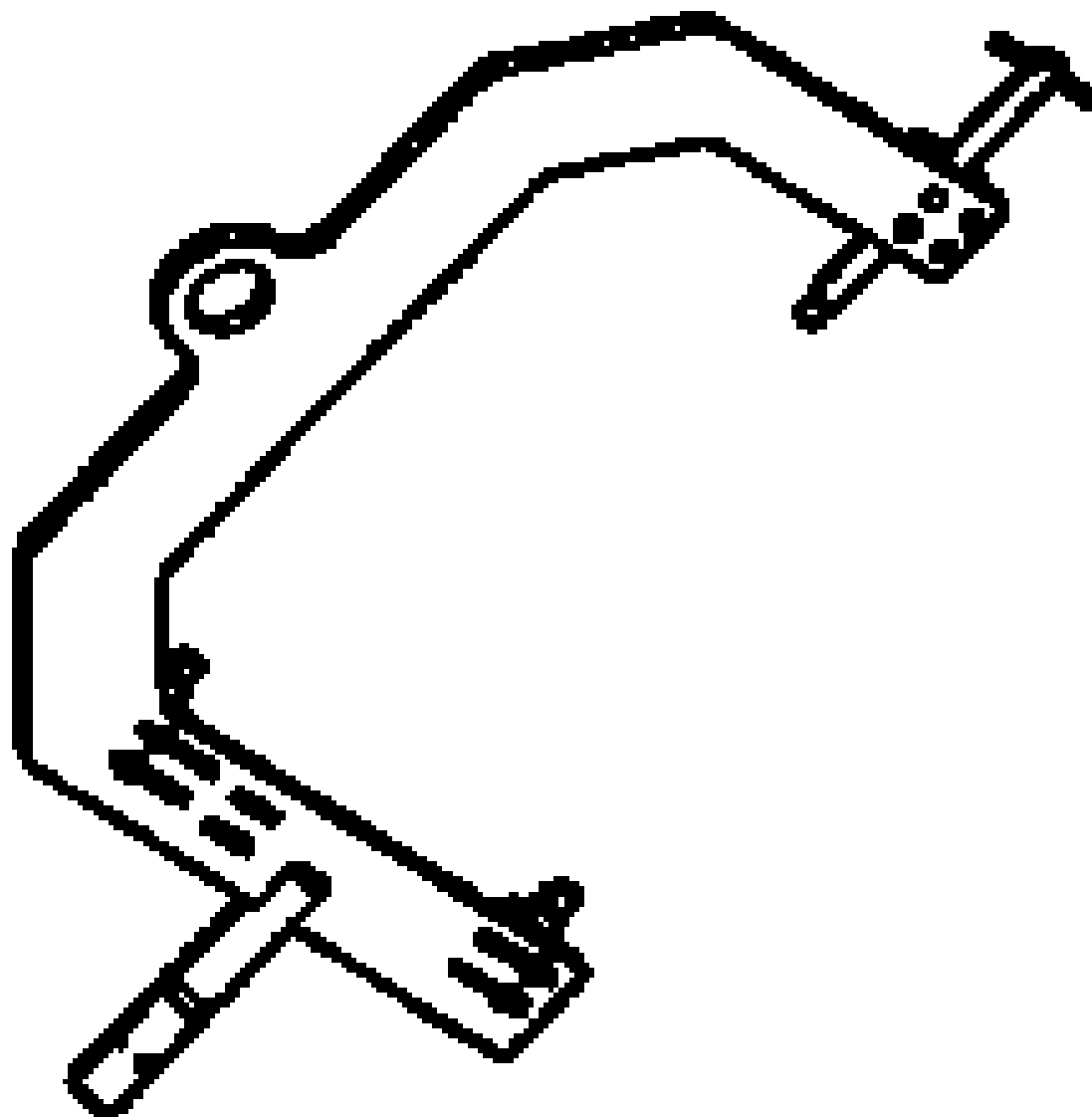




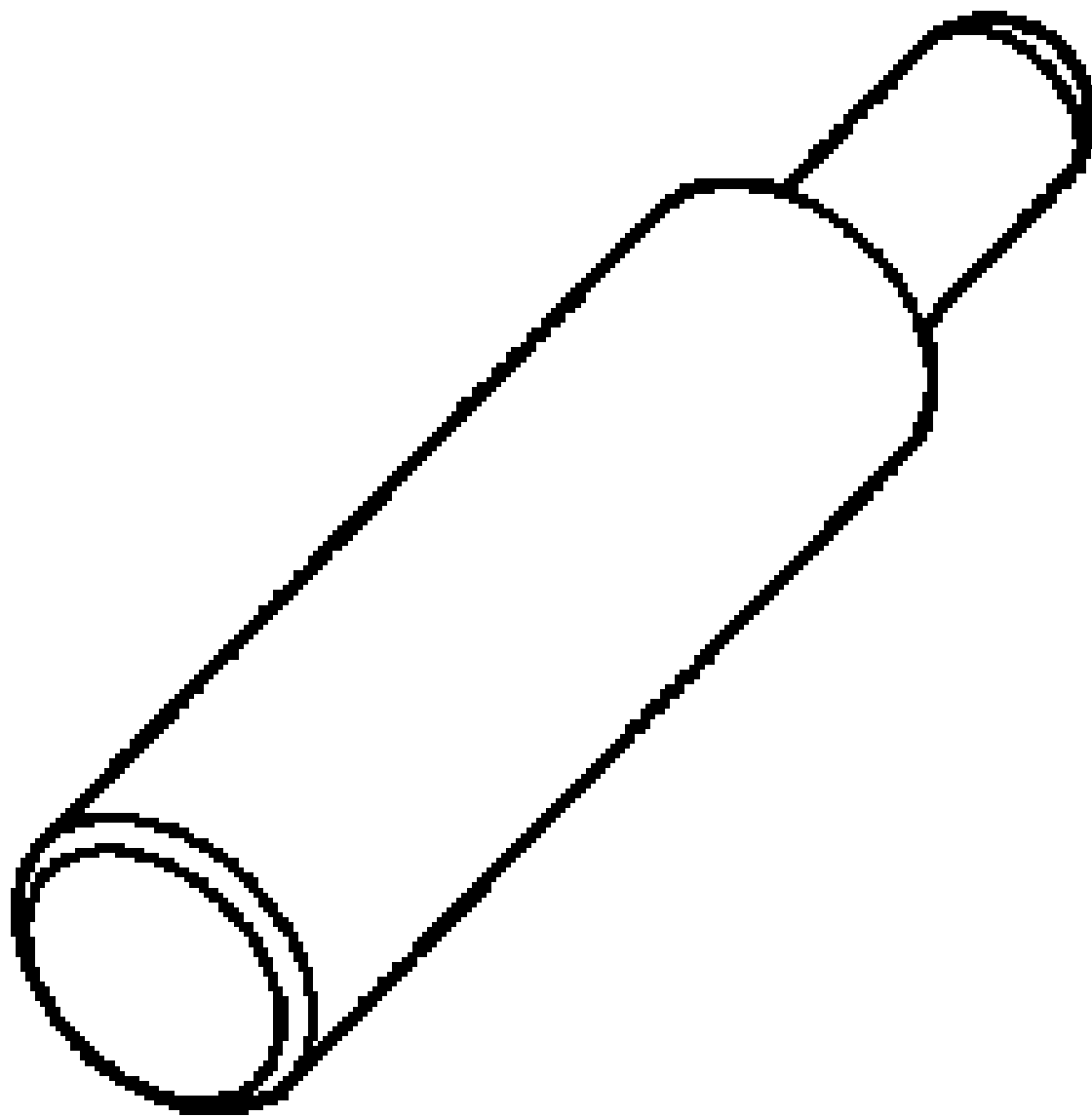
DT 46623
J 46623
Piston Seal Prote



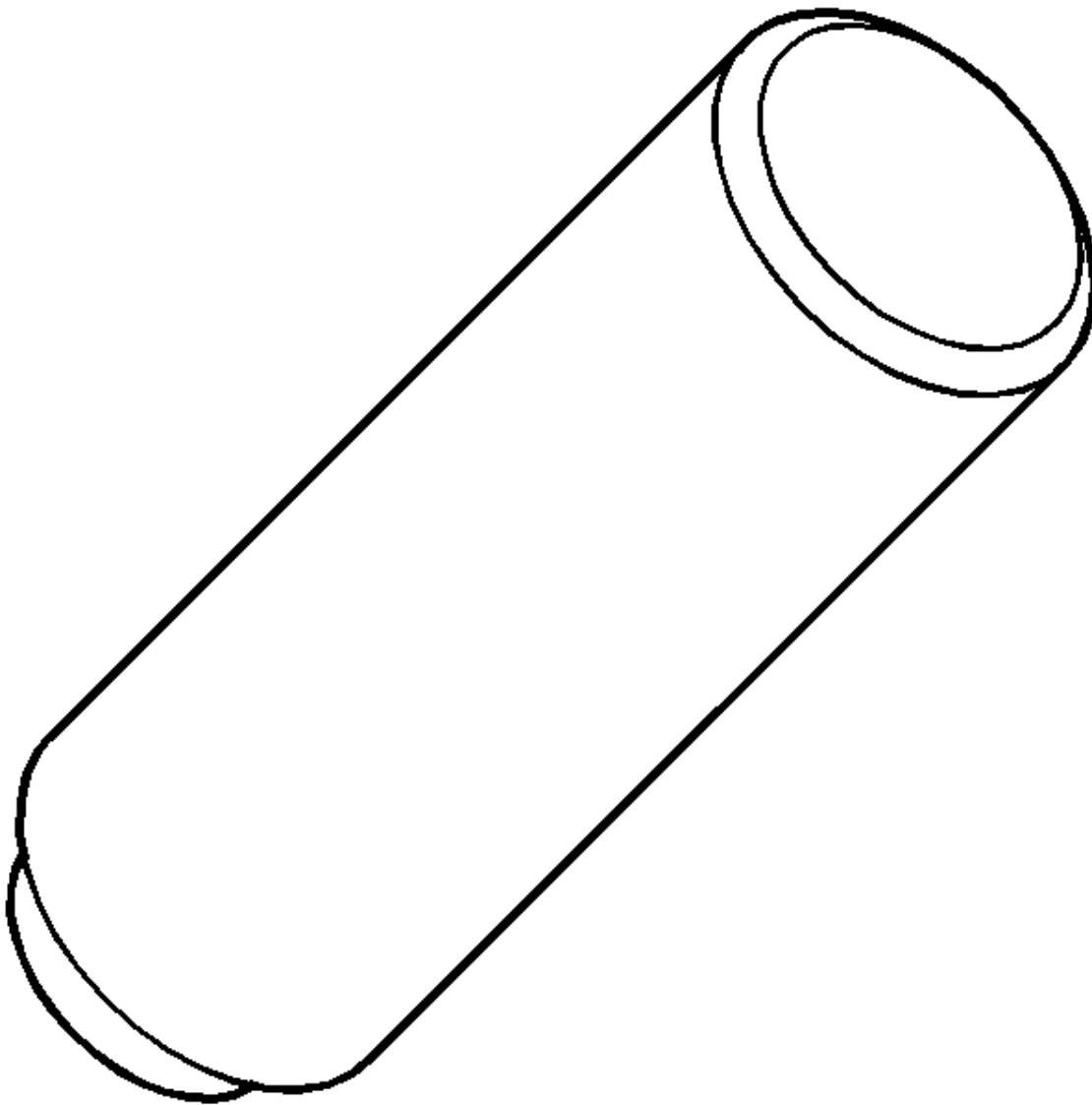
DT 46624
J 46624
Seal Installer



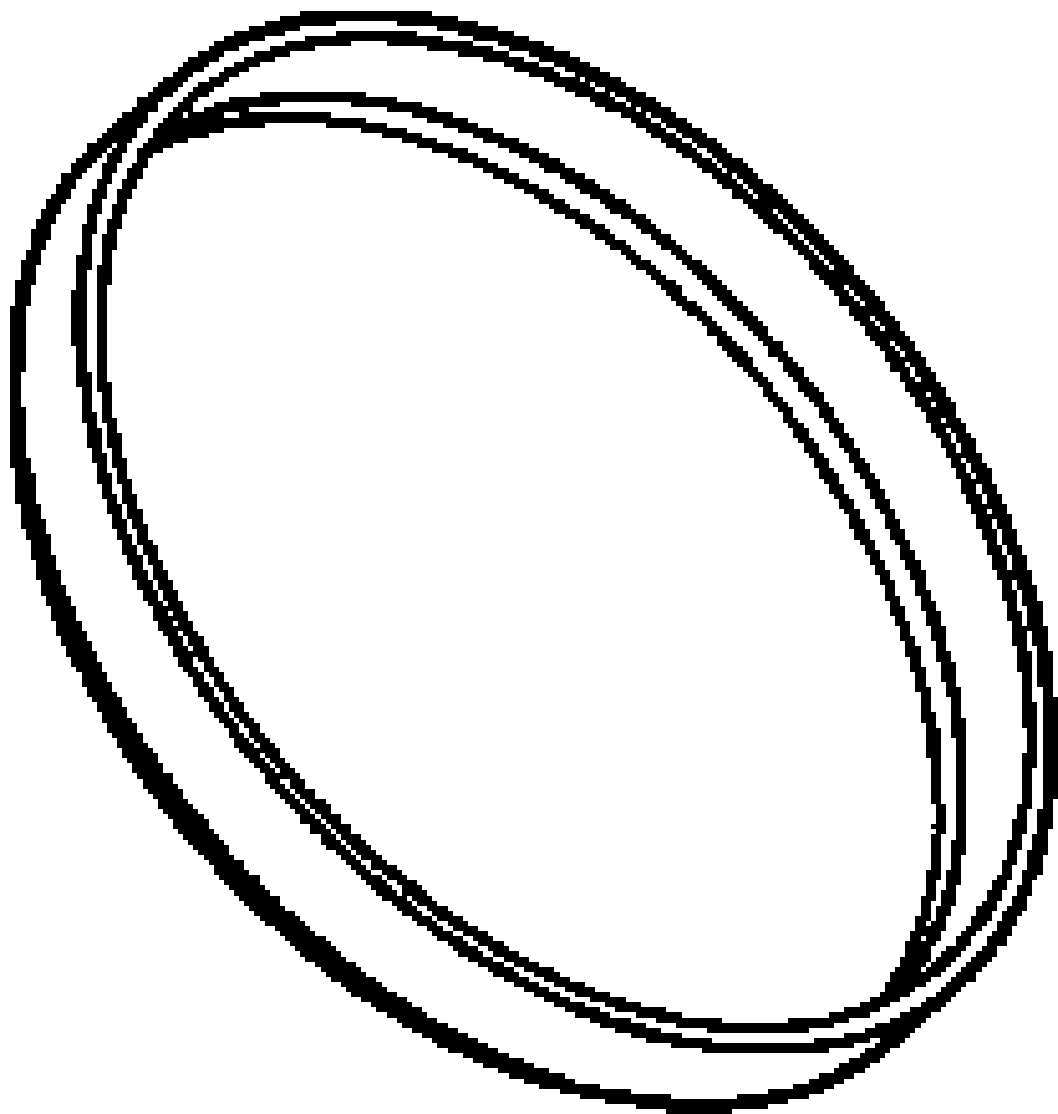
DT 46625
J 46625
Transmission
Holding Fixtur



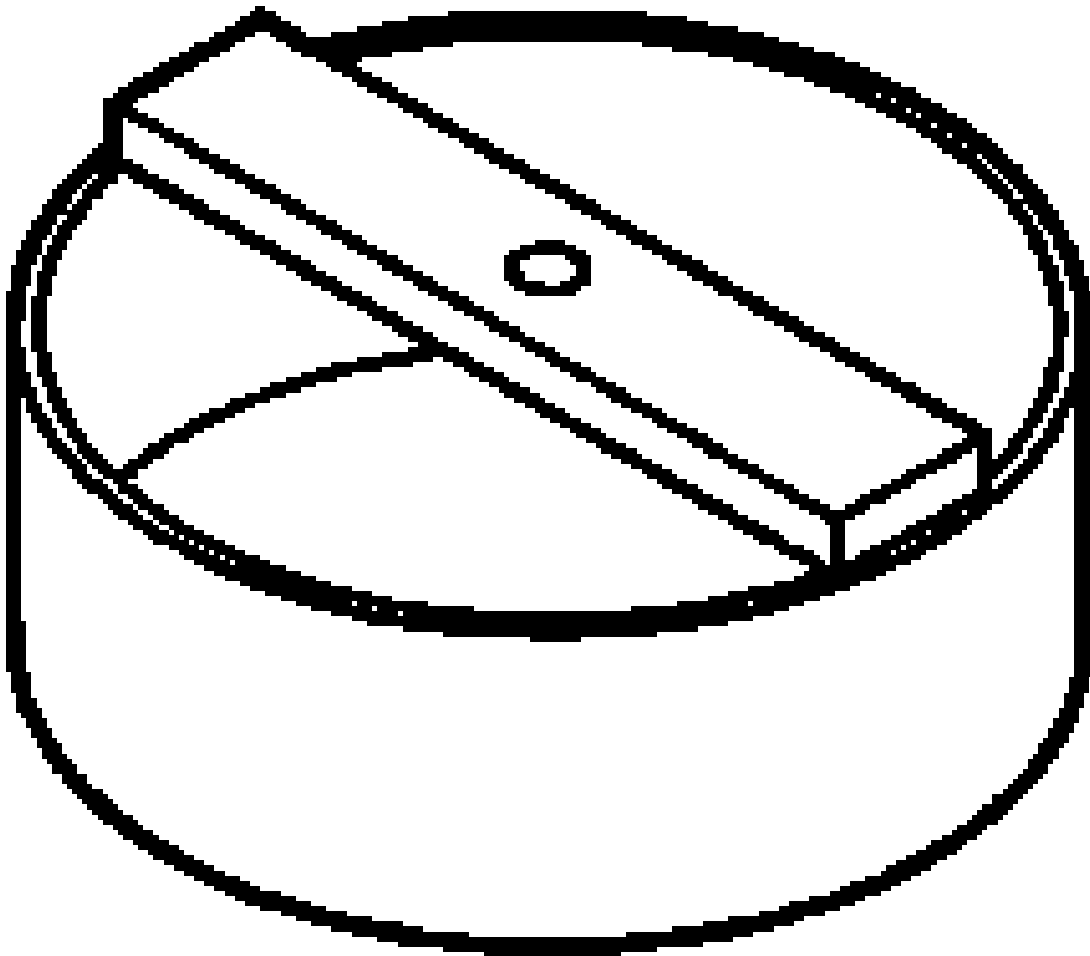
DT 46626
J 46626
Seal Installer



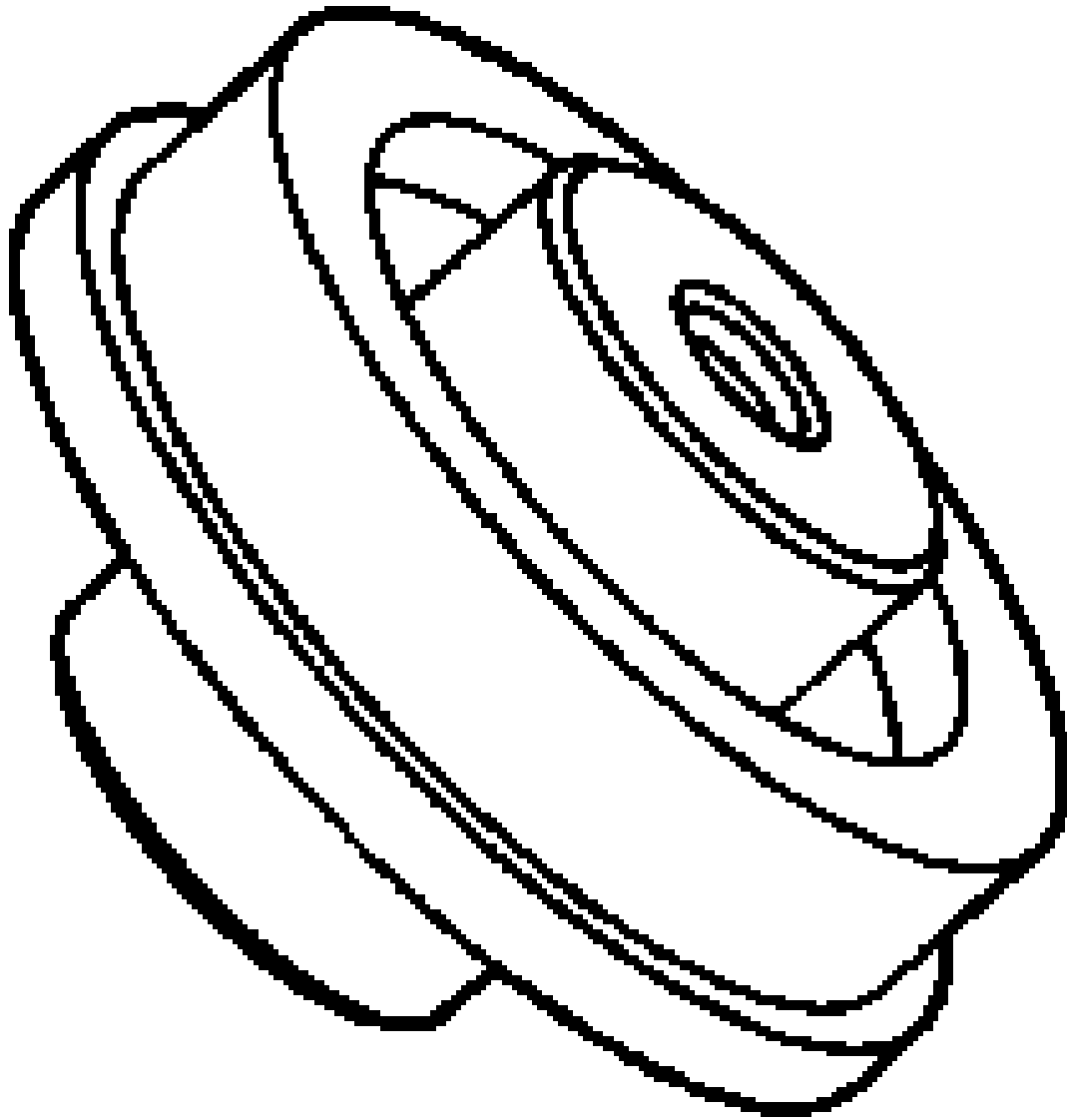
DT 46627-A
J 46627-A
Seal Installer



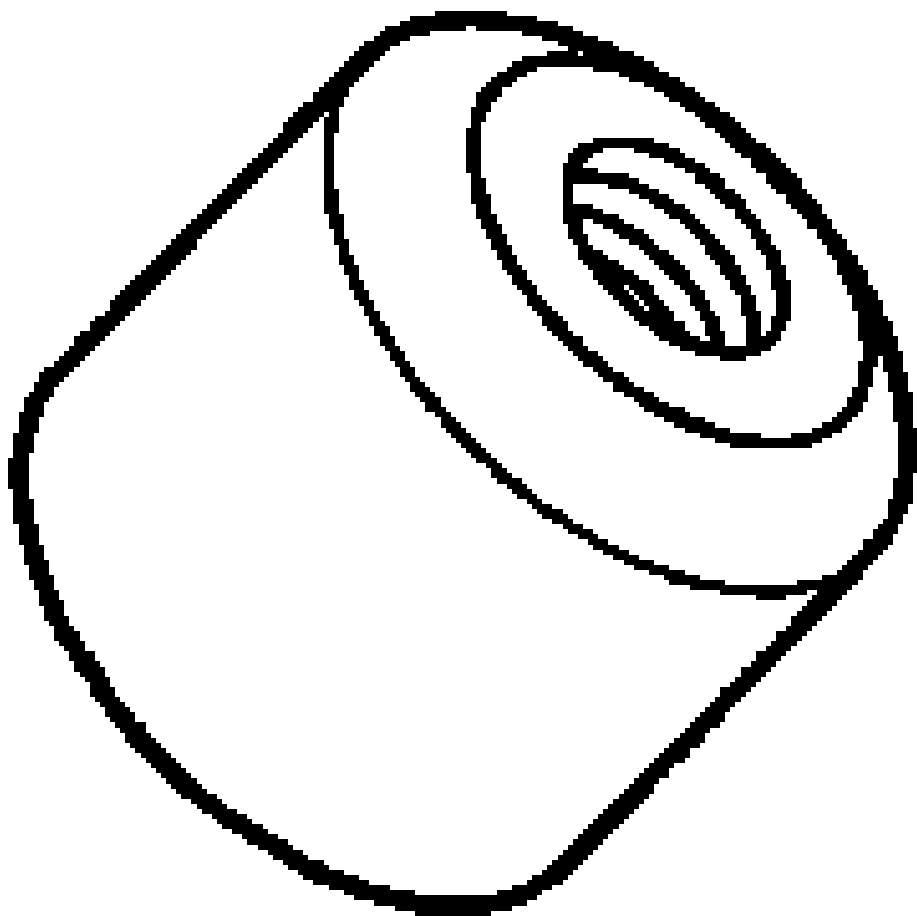
DT 46628-1
J 46628-1
Piston Seal Prote



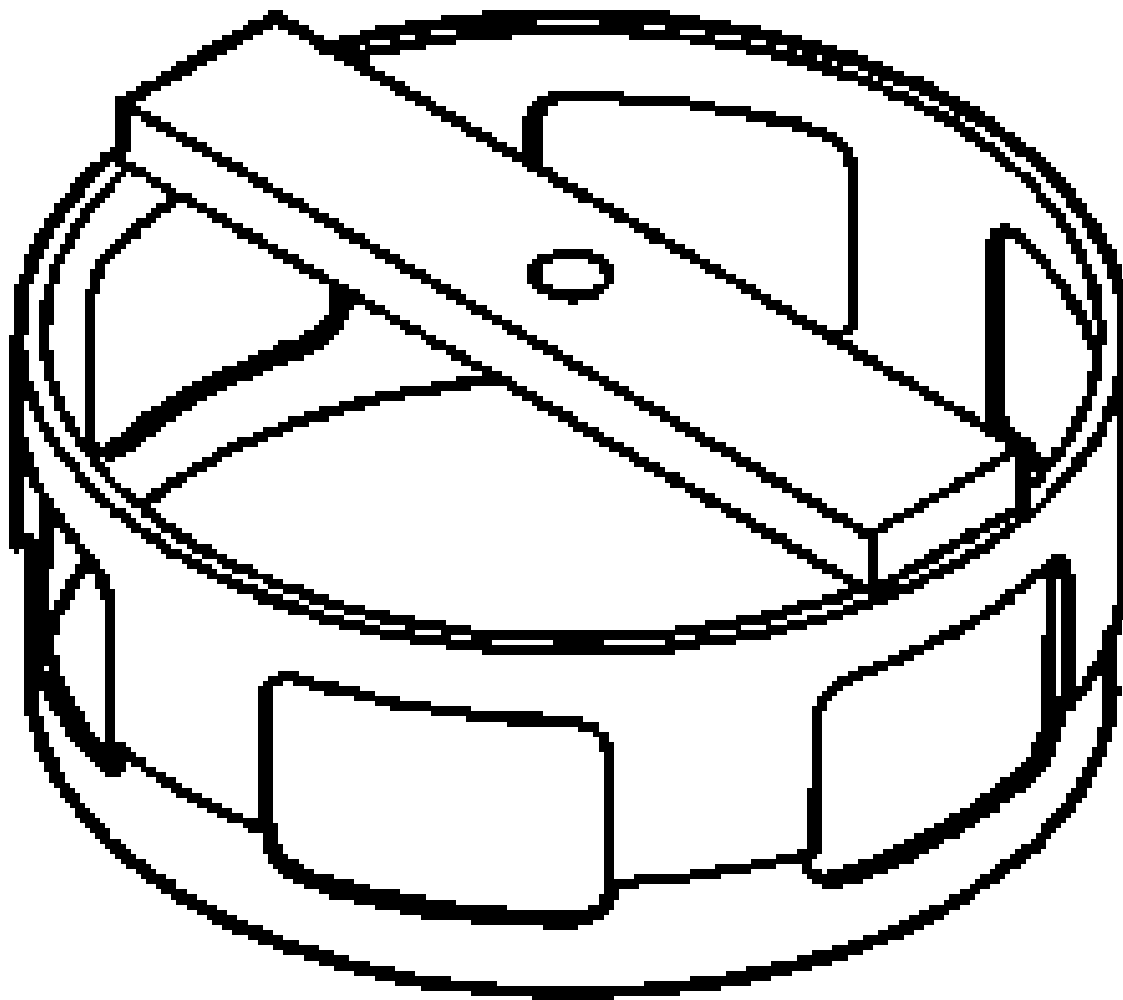
DT 46628-2
J 46628-2
Spring Compres:



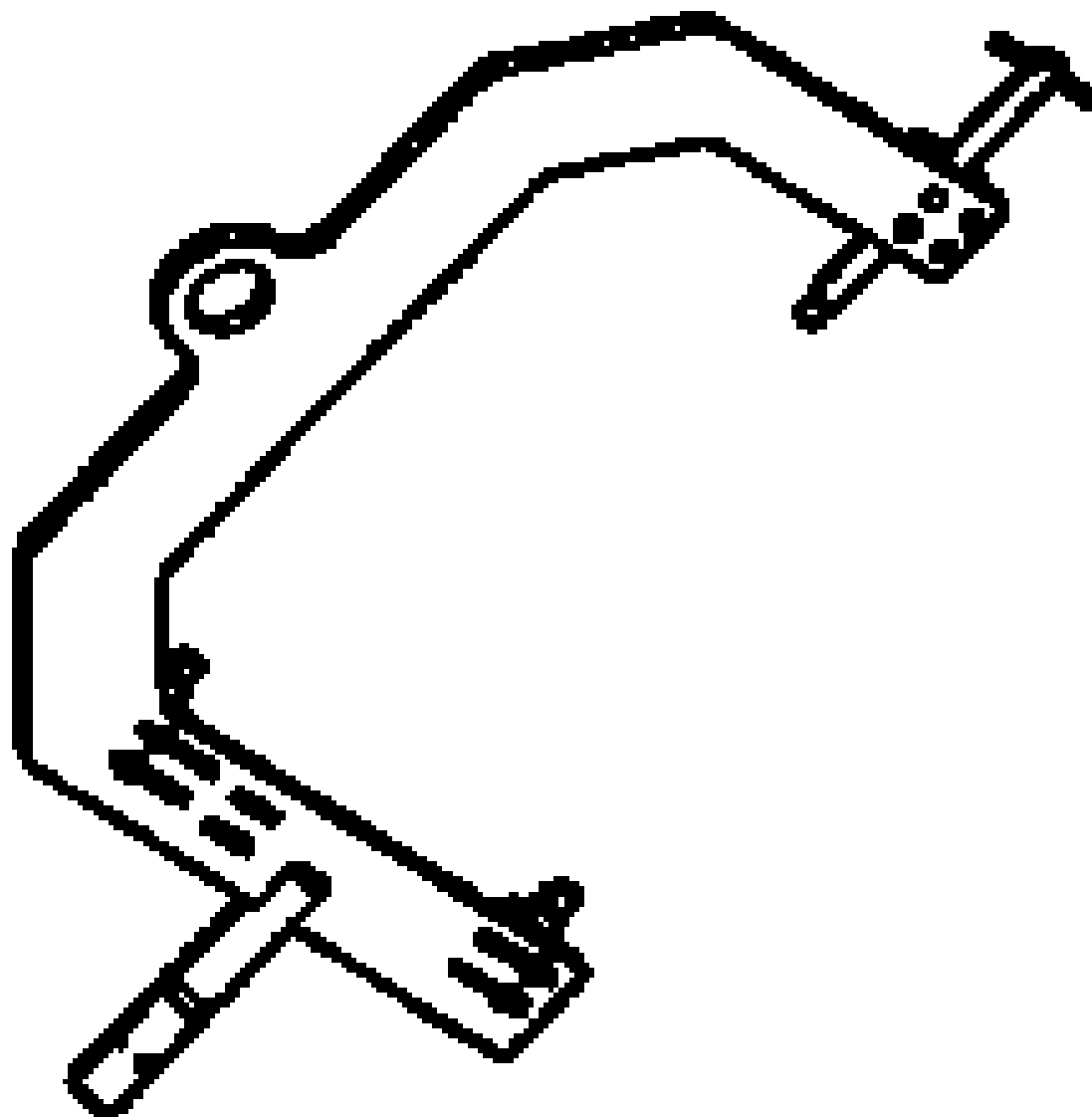
DT 46629-A
J 46629-A
Seal Installer



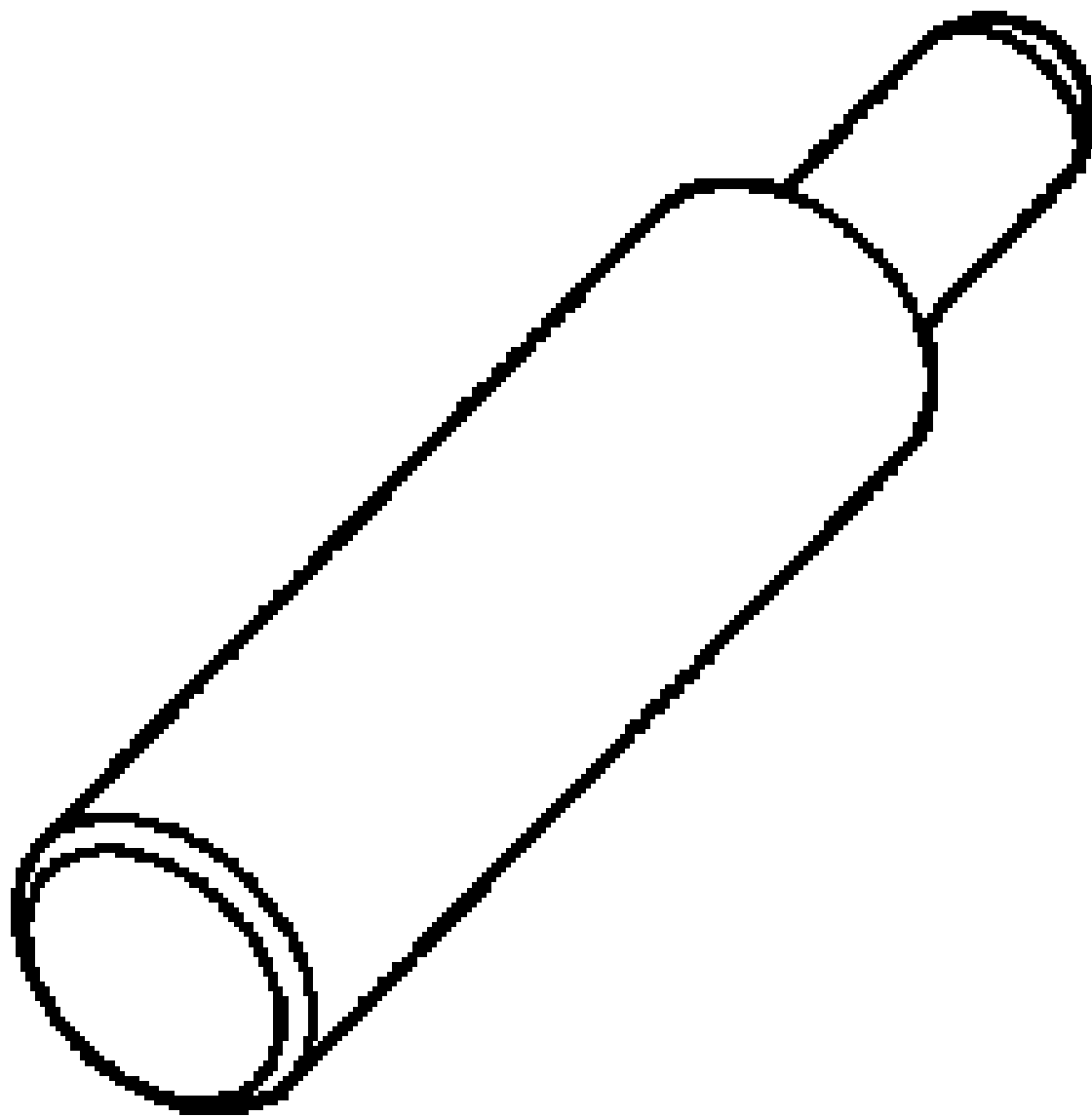
DT 46630
J 46630
Lube Dam Instal



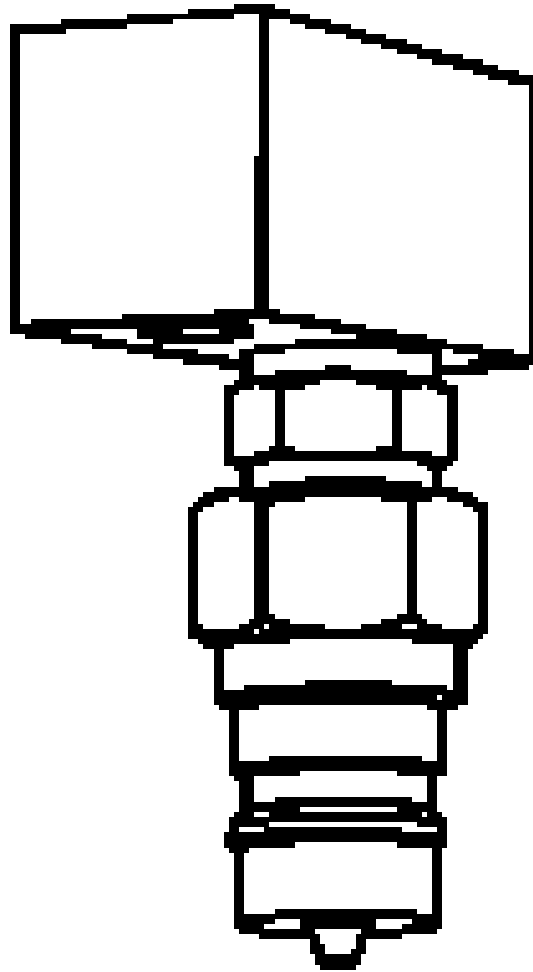
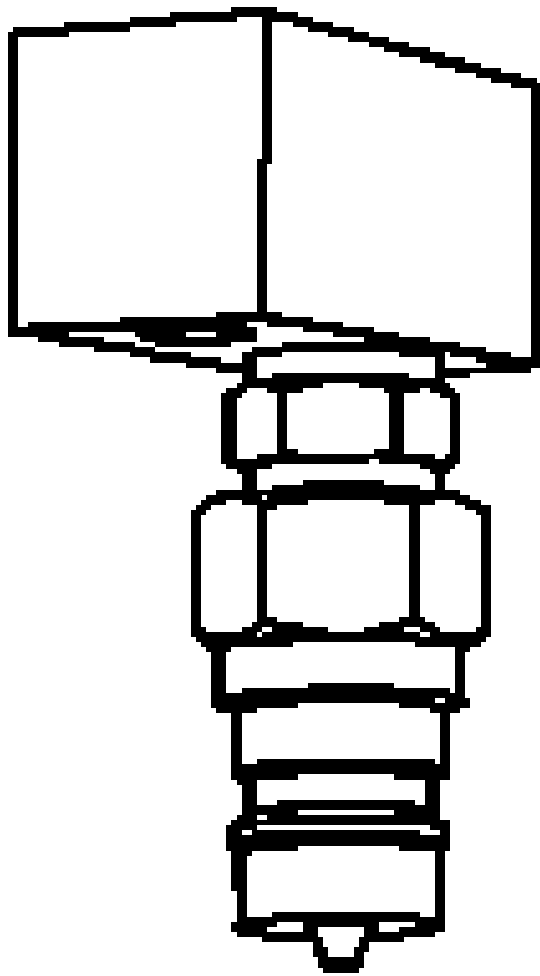
DT 46632
J 46632
Spring Compres:



DT 47693
Dam Protector

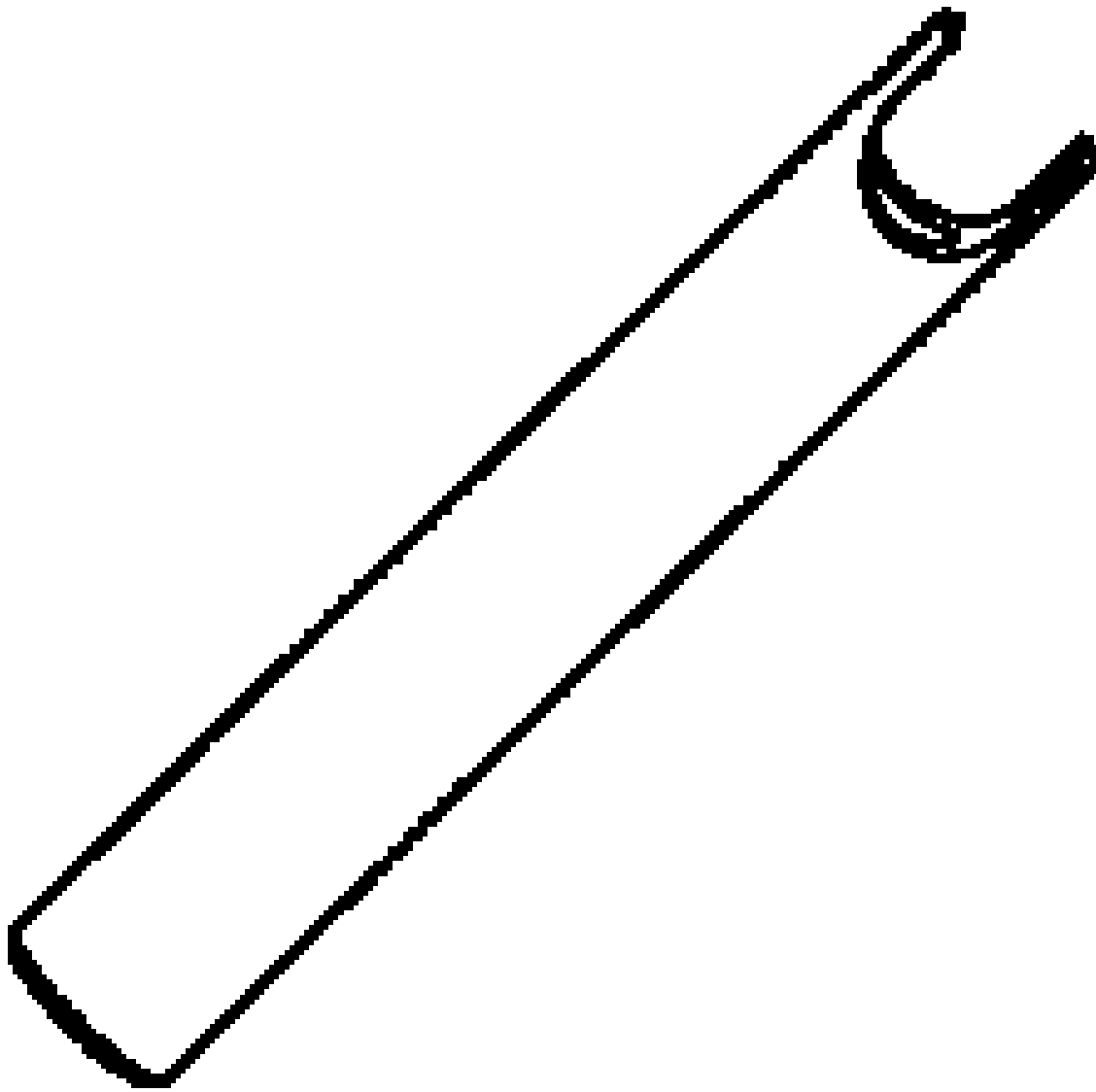


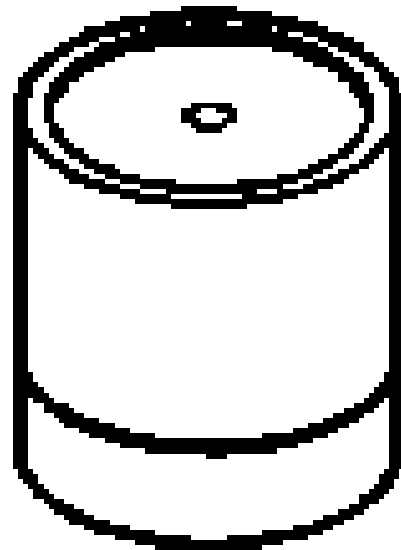
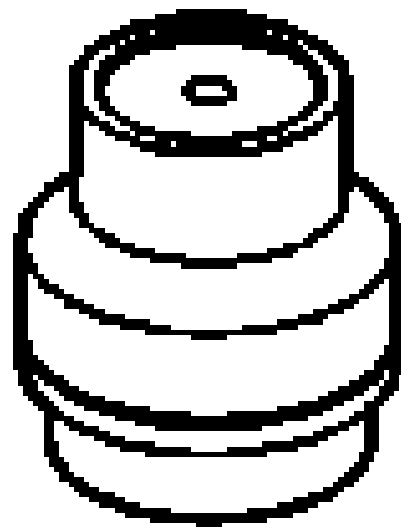
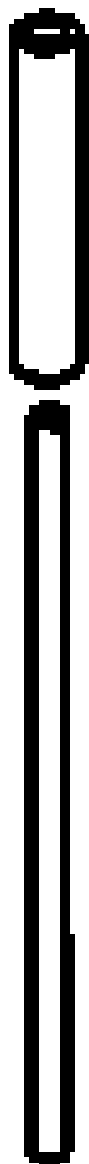
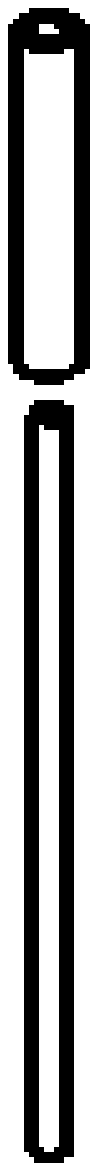
DT 47694
Piston Spring
Compressor



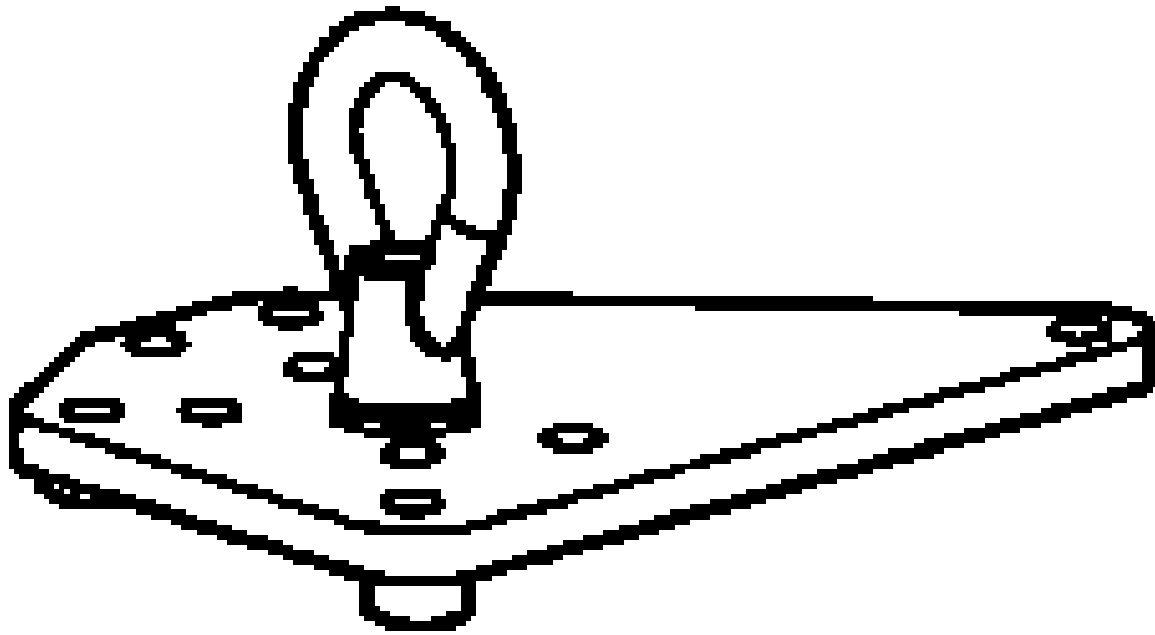
DT 47734
Speed Sensor
Harness Teth

DT 47793
Differential Rotat
Tool

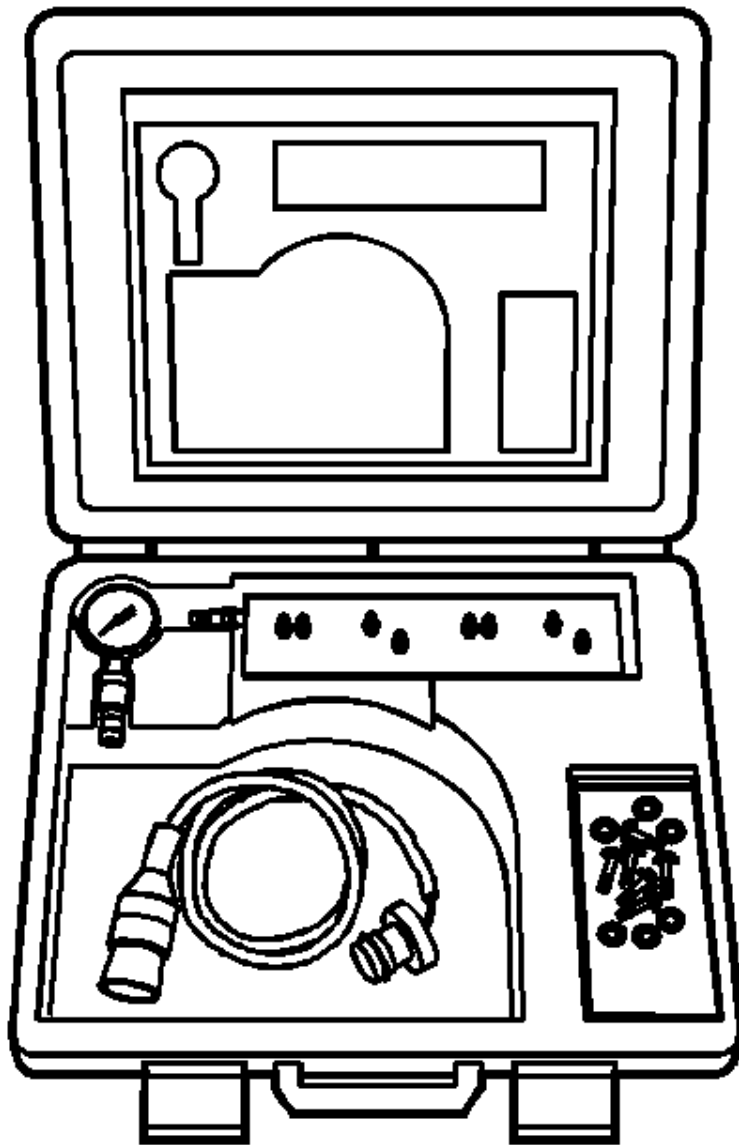




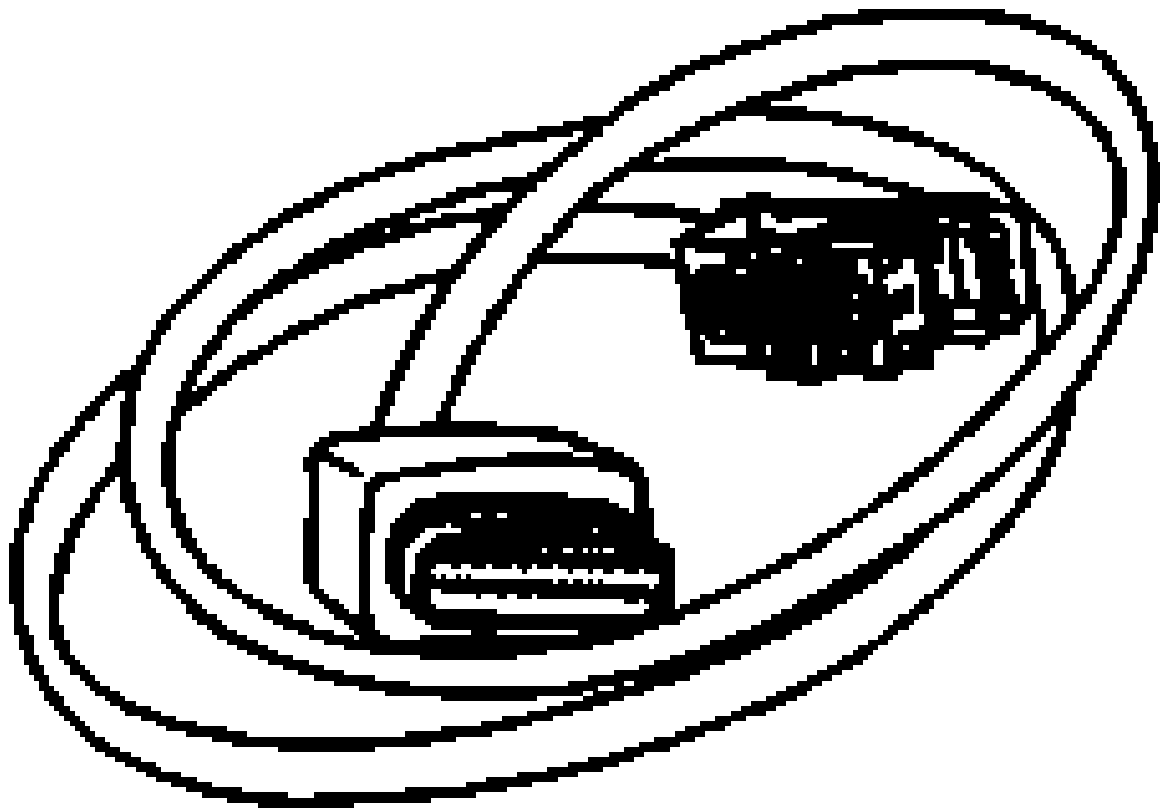
DT 4780
Shim Selection
Gauge



DT 47811-A
Lift Plate

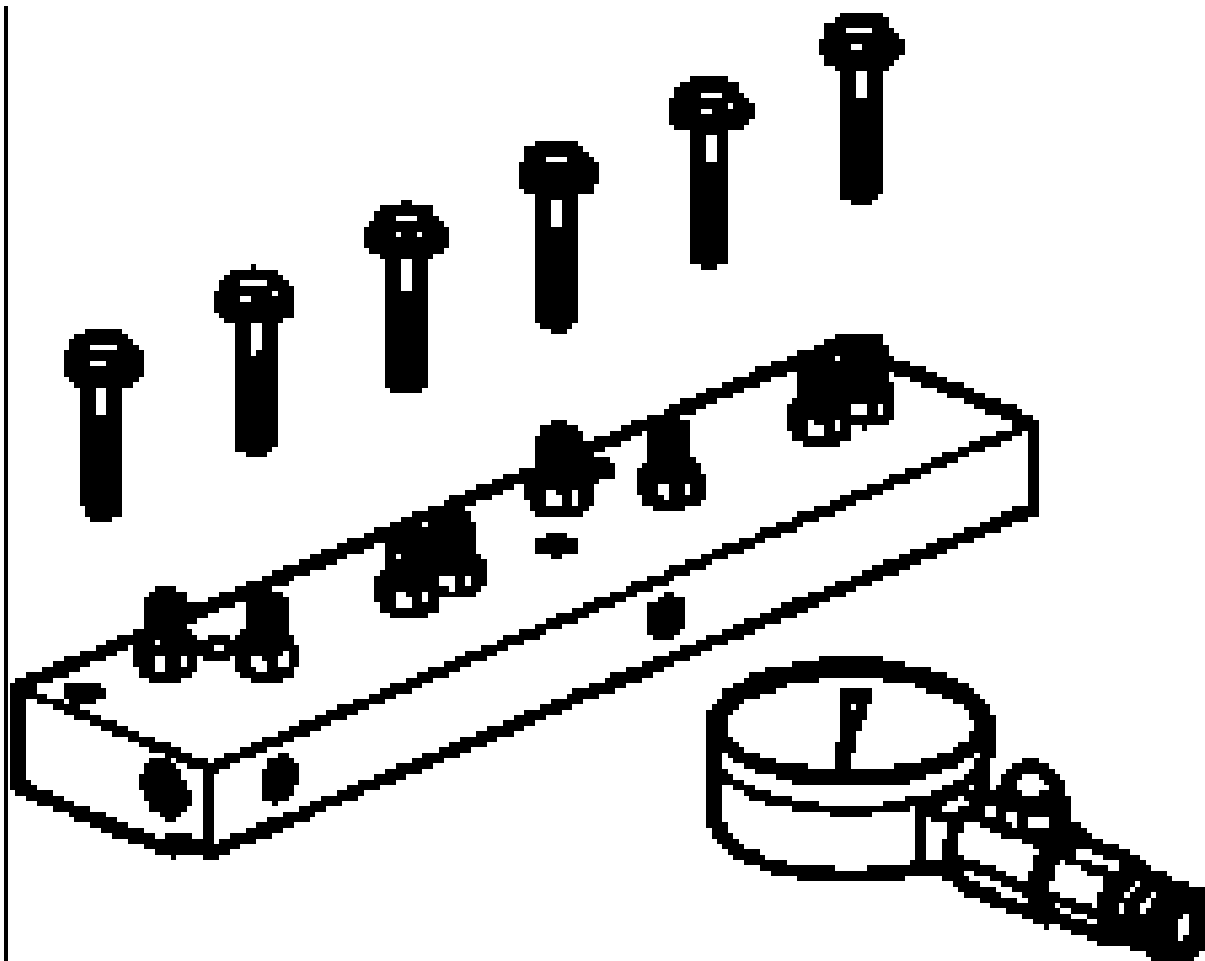


DT 47825
Control Solenoid
Test Plate

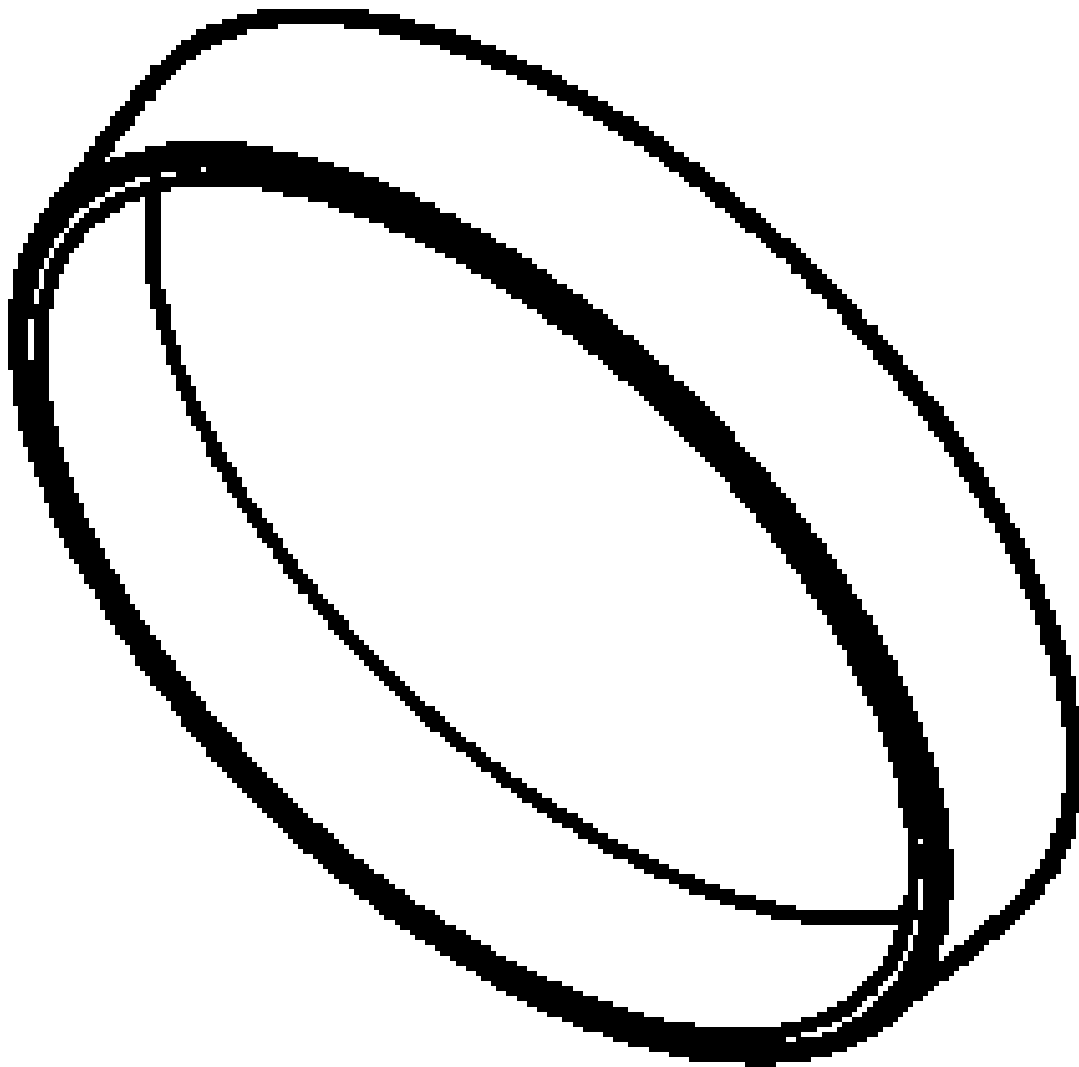


DT 47825-20
Adapter Harness

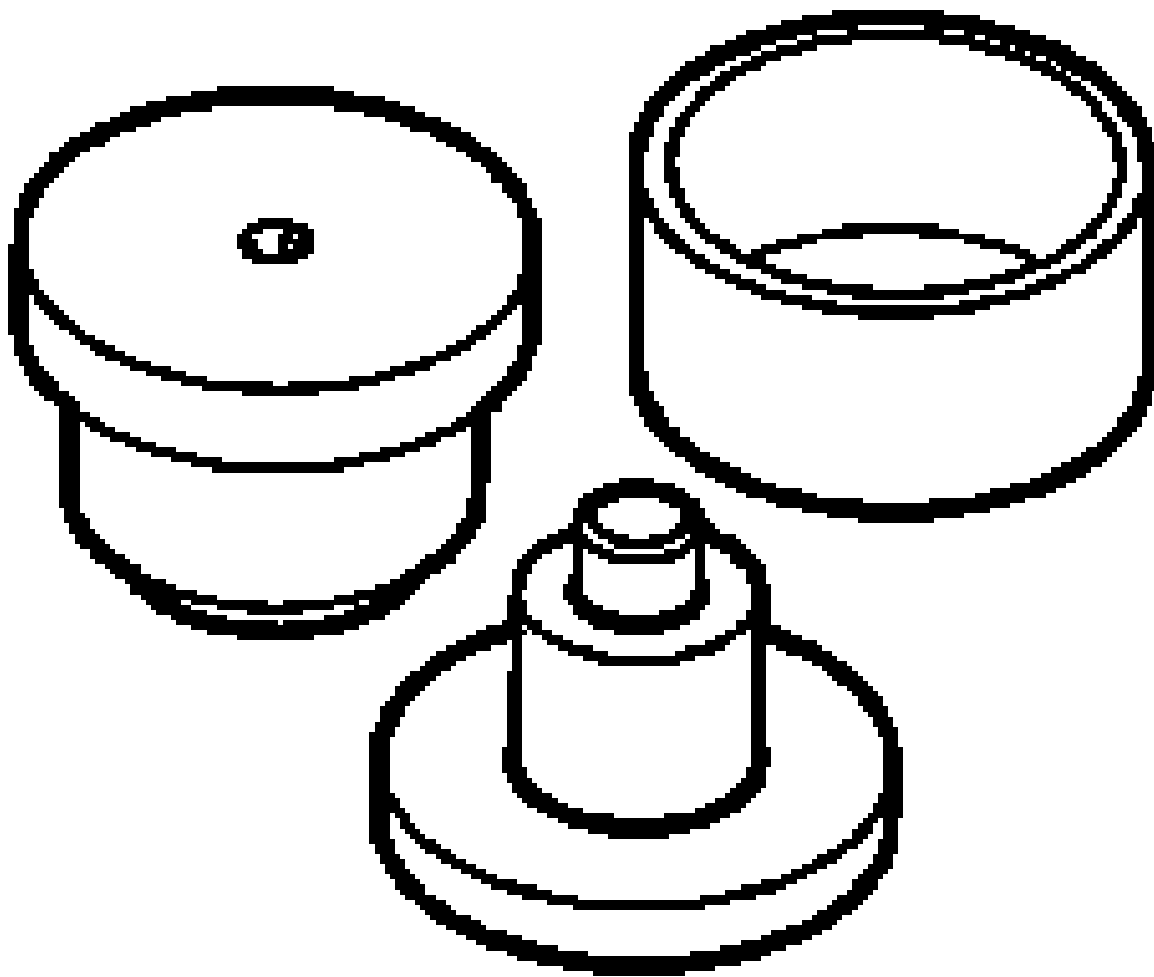
DT 47825-10C
Solenoid Test Pl



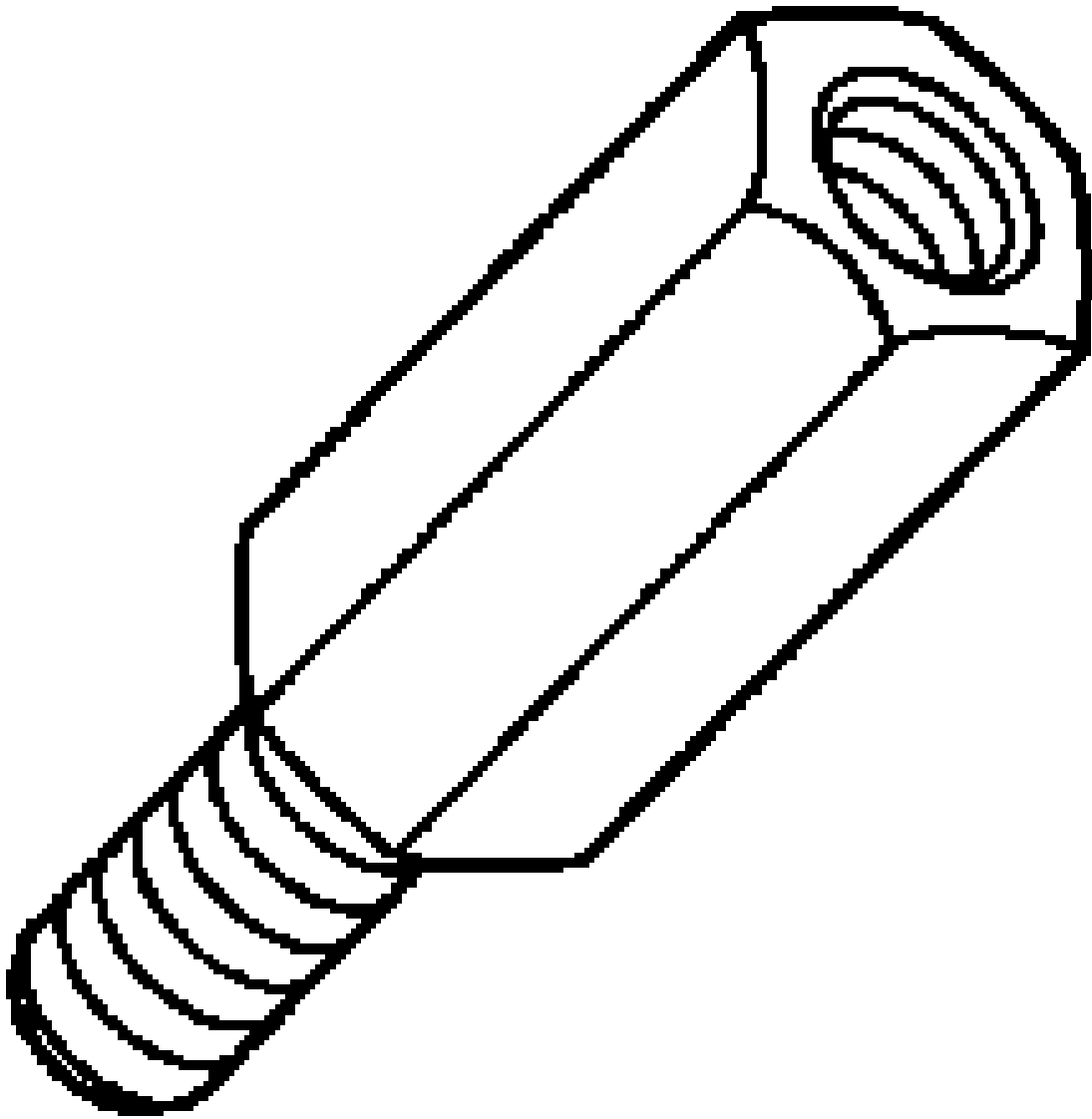
DT 47859
Piston Outer Se
Protector



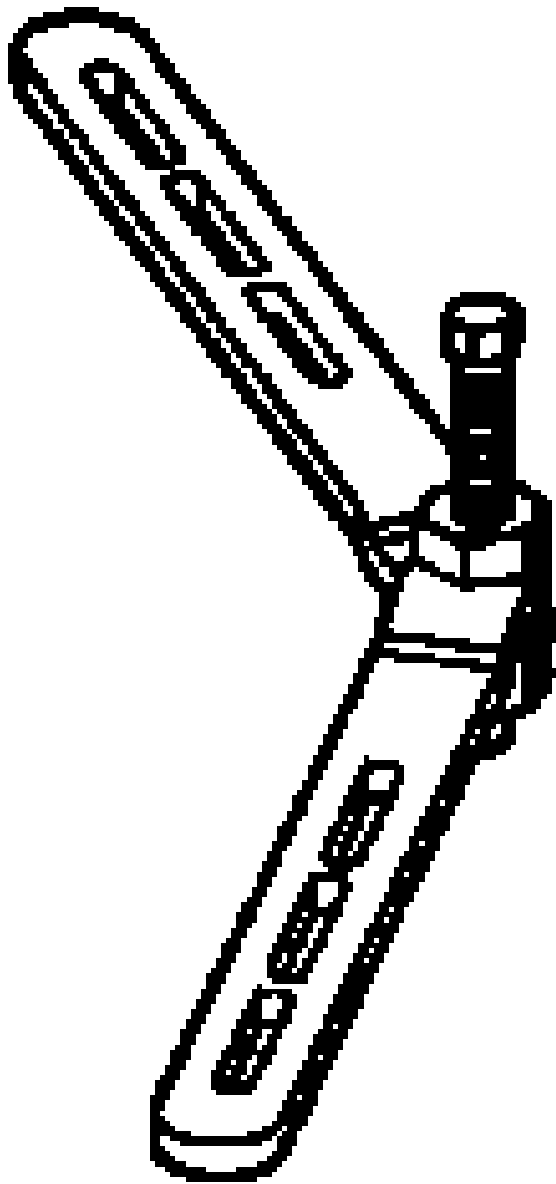
DT 47927
Bearing Cup
Remover



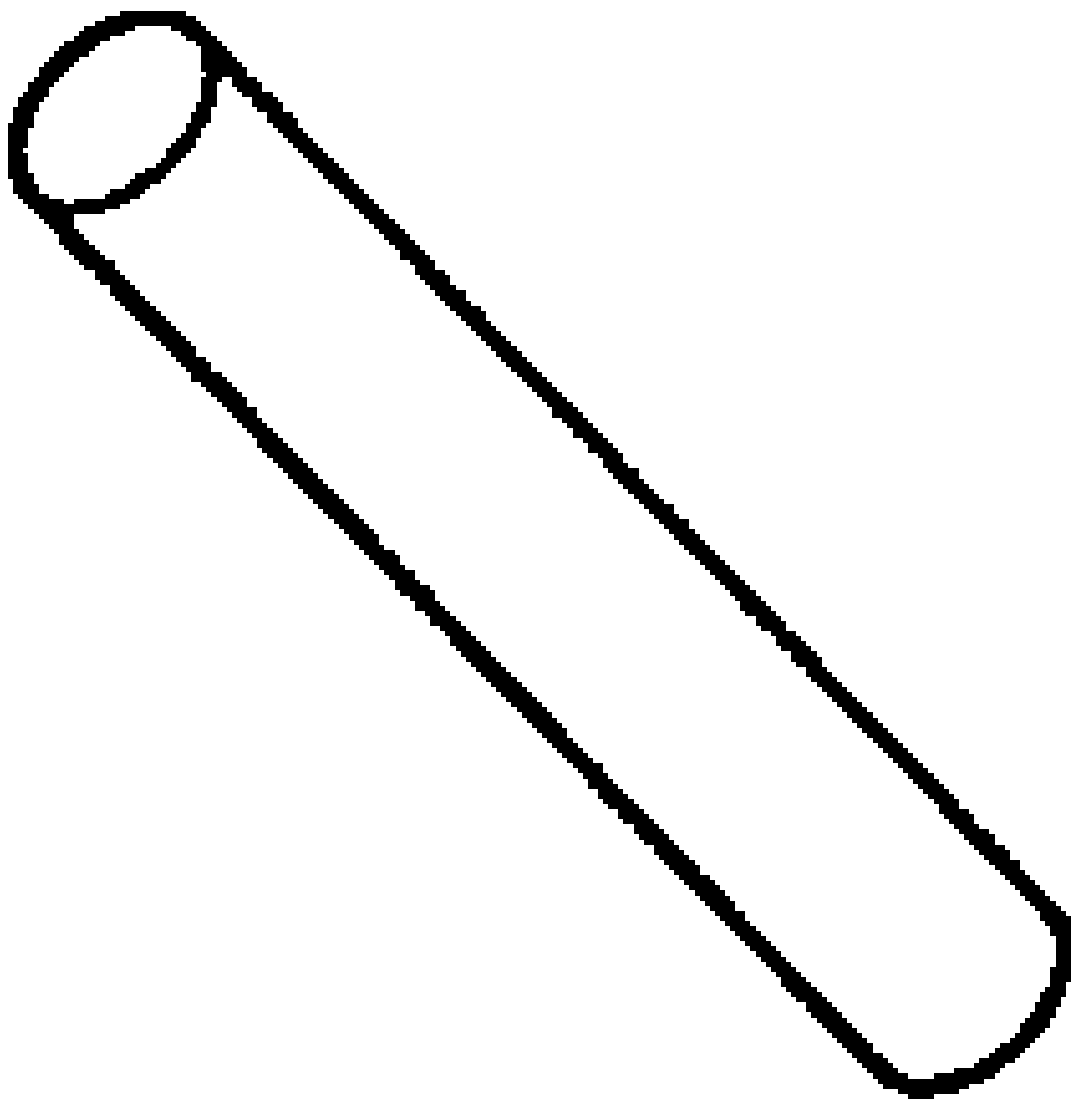
DT 47928
Bearing Install



DT 48055
Lube Dam Remo

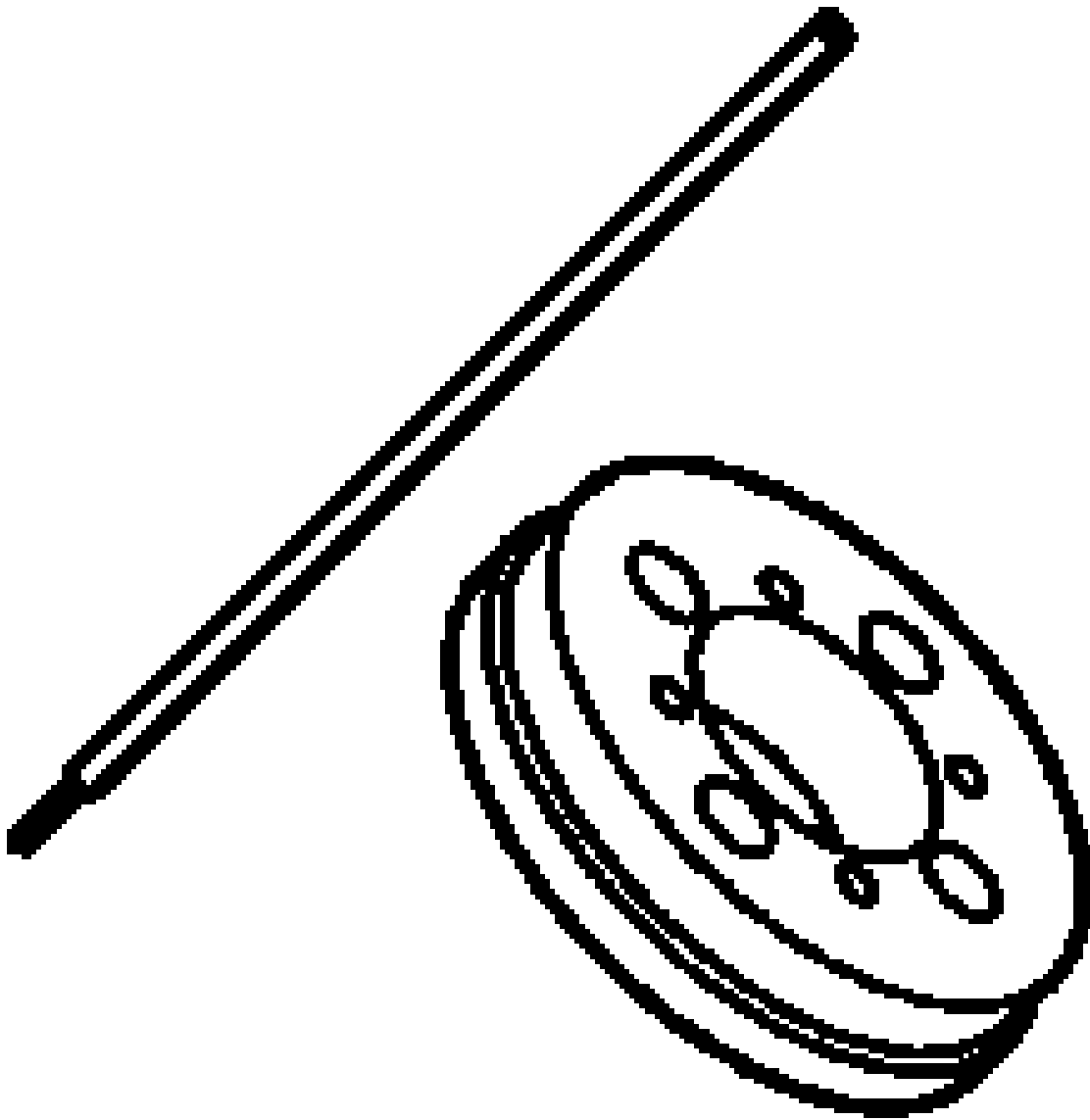


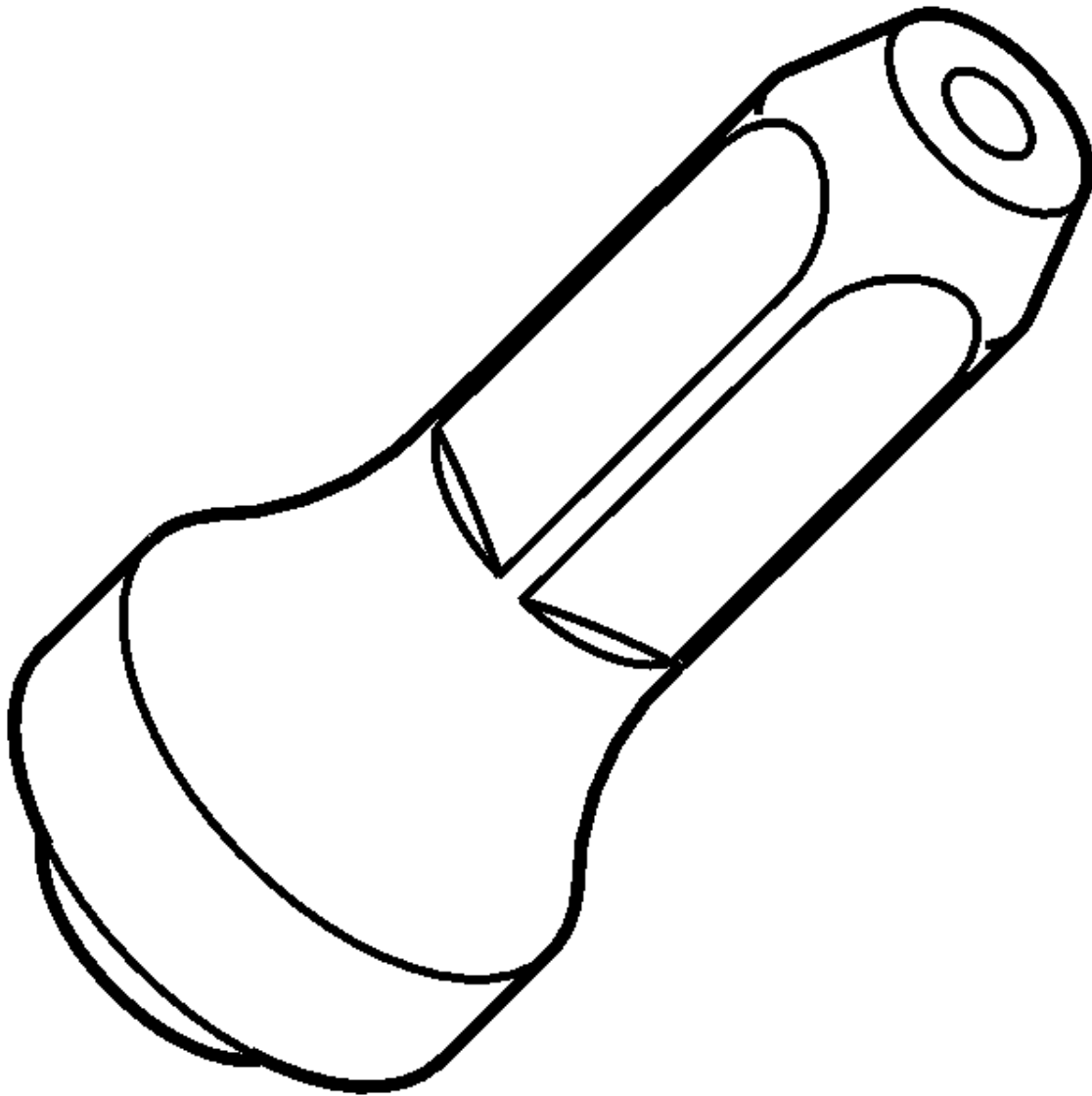
DT 48056
Spring Compressor
Bridge



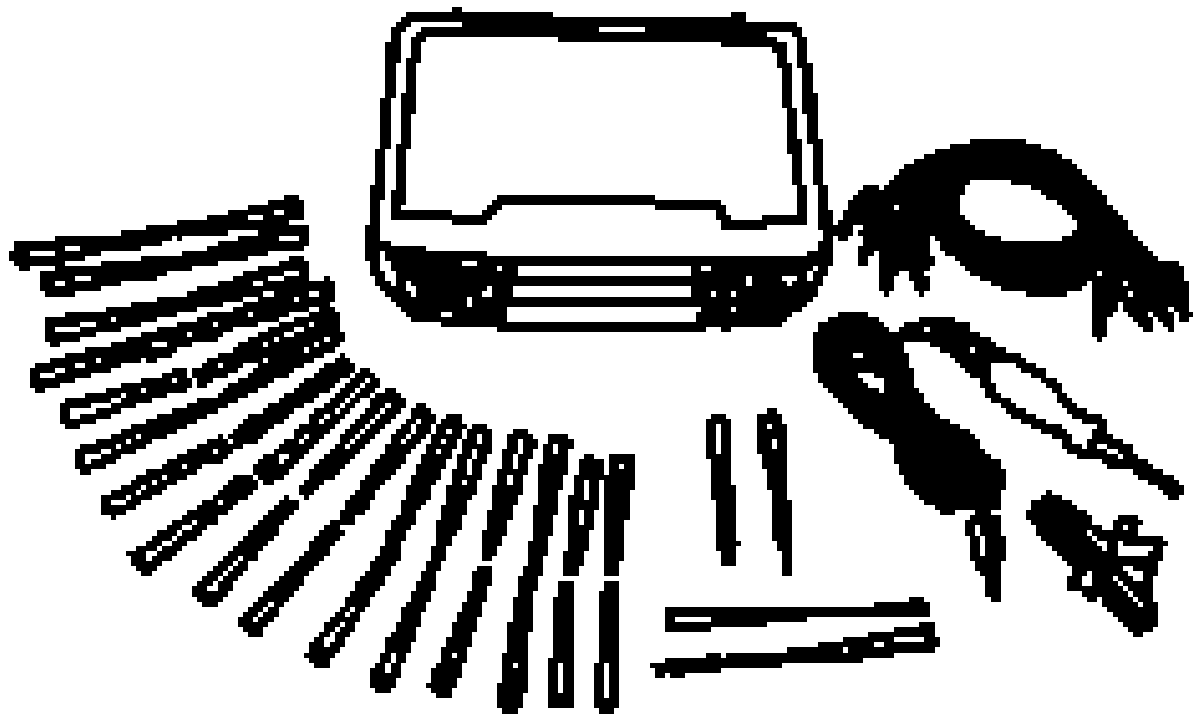
DT 48551
Reaction Hub
Bushing Protect

DT 49131
Seal Staking To

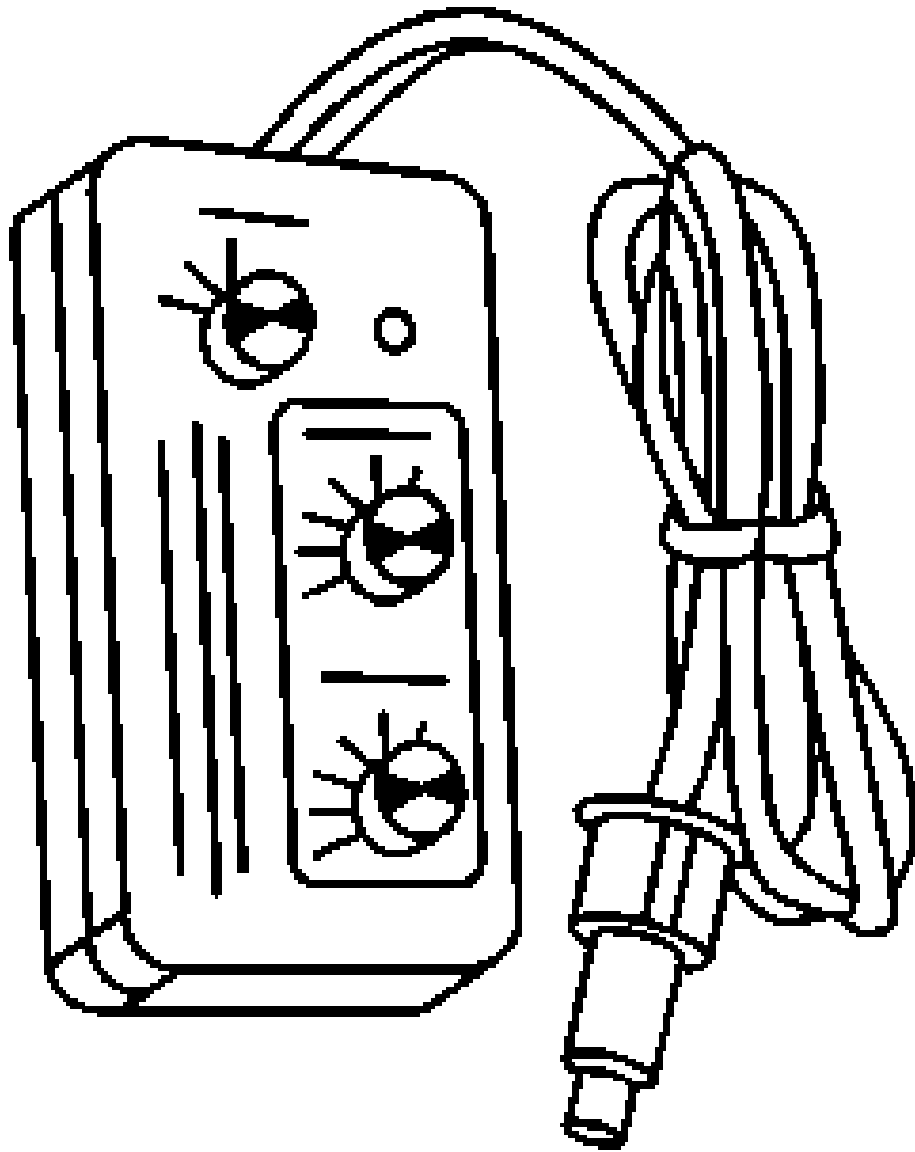




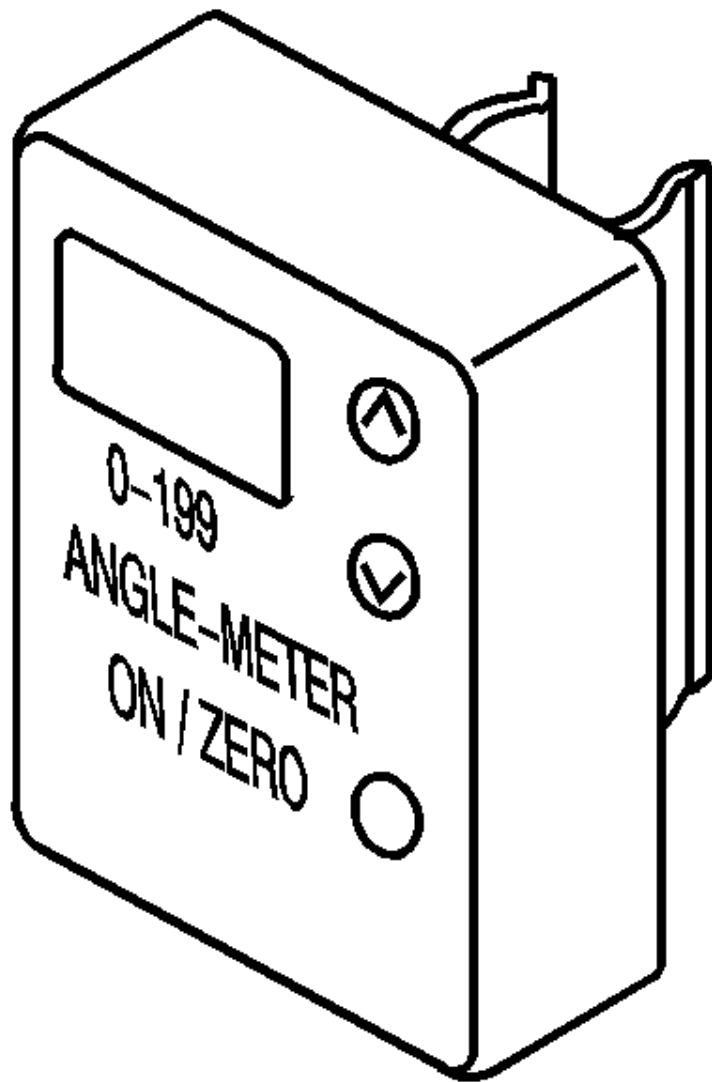
DT 49861
Seal Installer



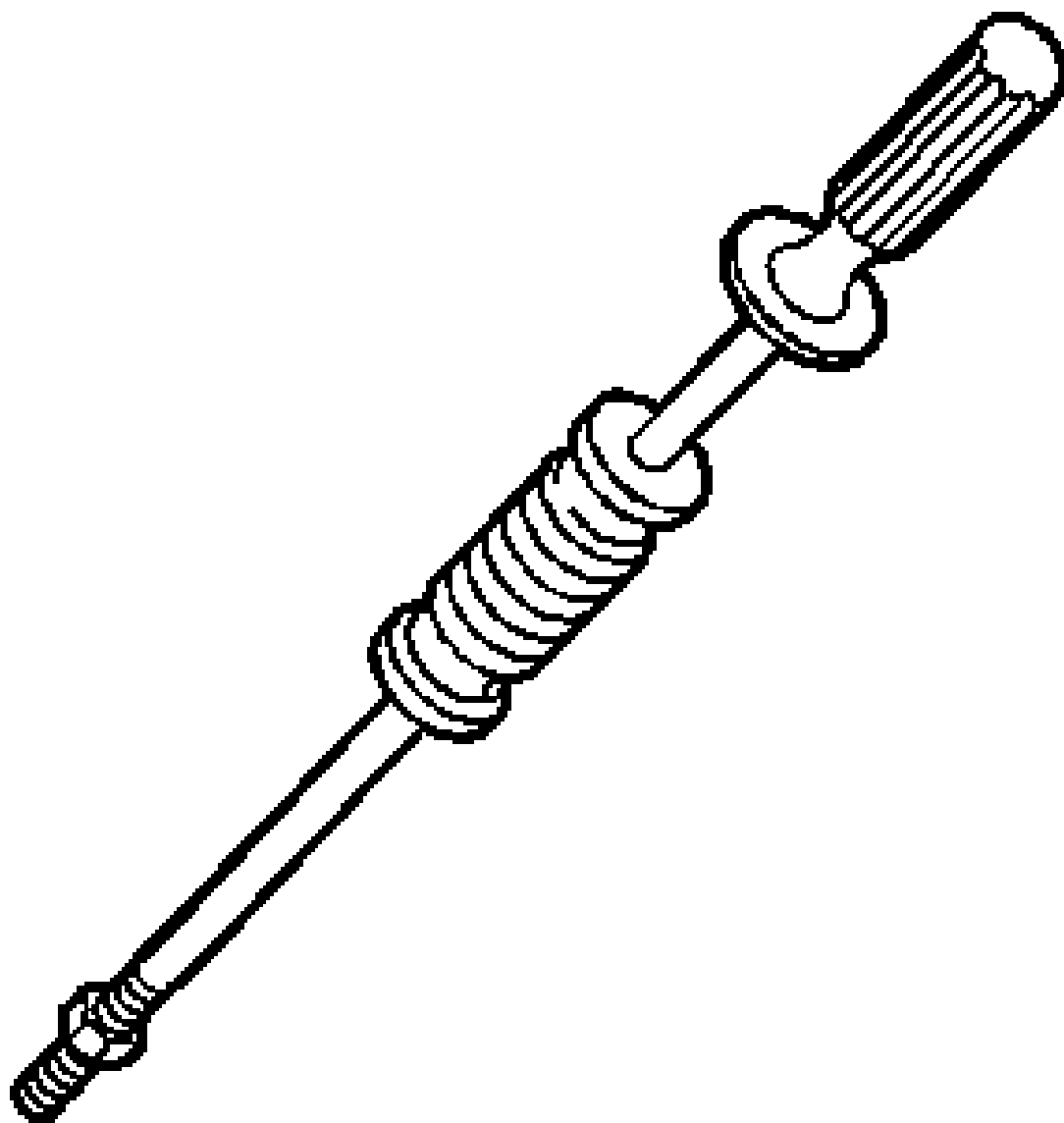
EL 35616
J 35616
GM-Approved
Terminal Test Kit



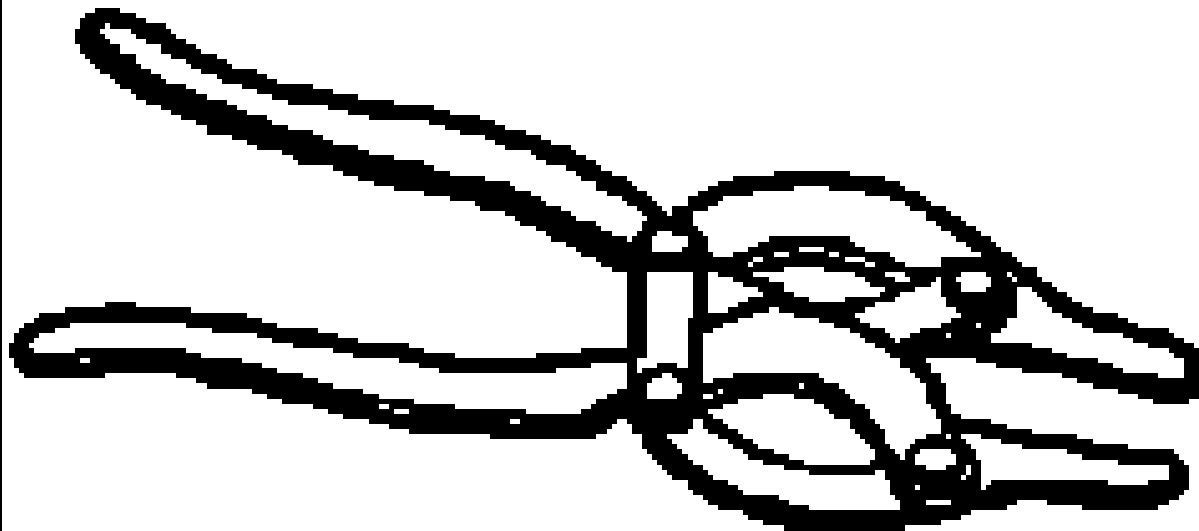
EL 38522
J 38522
Variable Signal
Generator



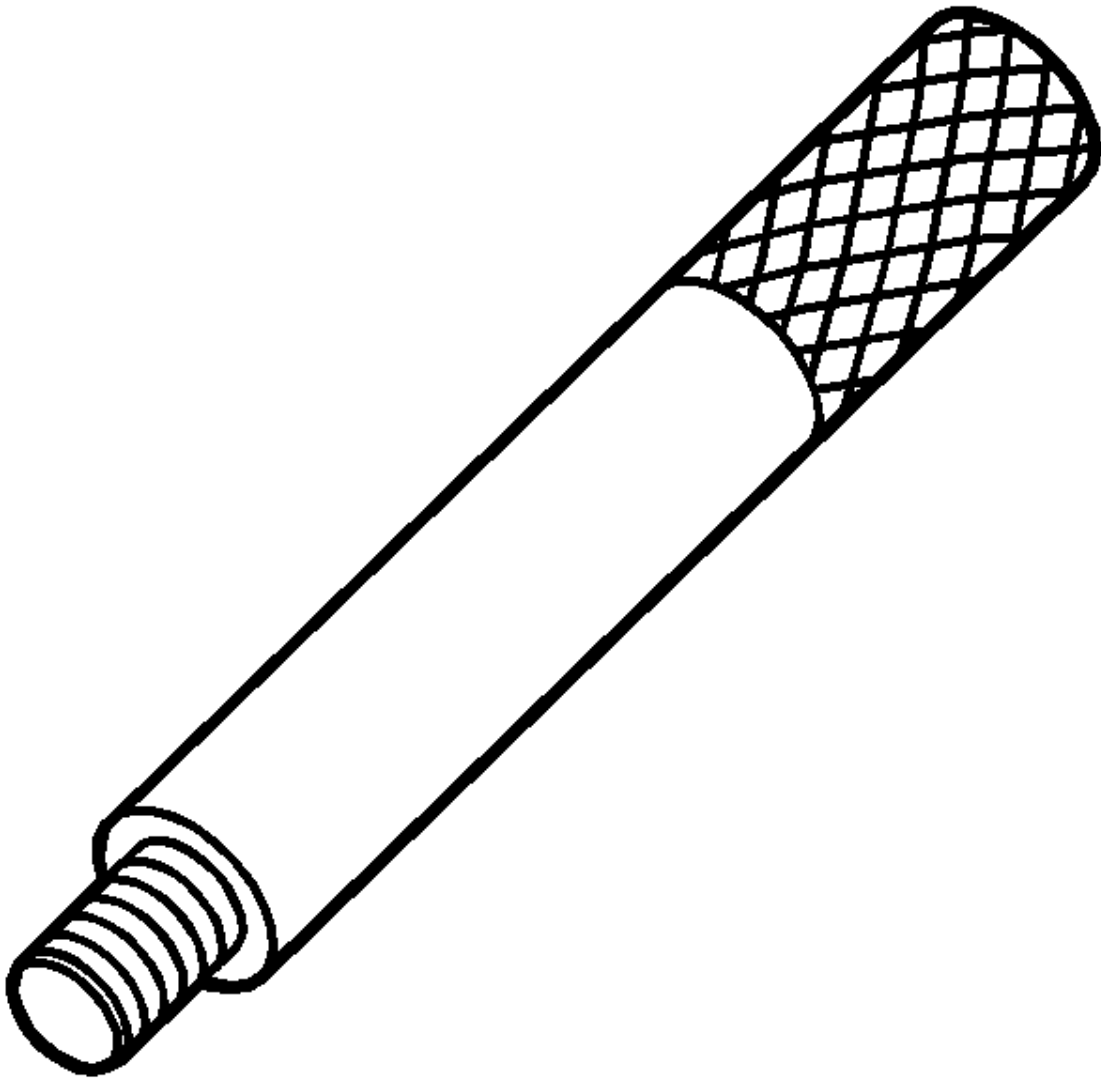
EN 45059
J 45059
Angle Meter



GE 6125-1B
J 6125-1B
J 6125-B
KM-J-7004
Slide Hammer w
Adapter



GE 8059
J 8059
KM-396
Snap Ring Pliers
Parallel Jaw



GE 8092
J 8092
KM-J-8092
Driver Handle